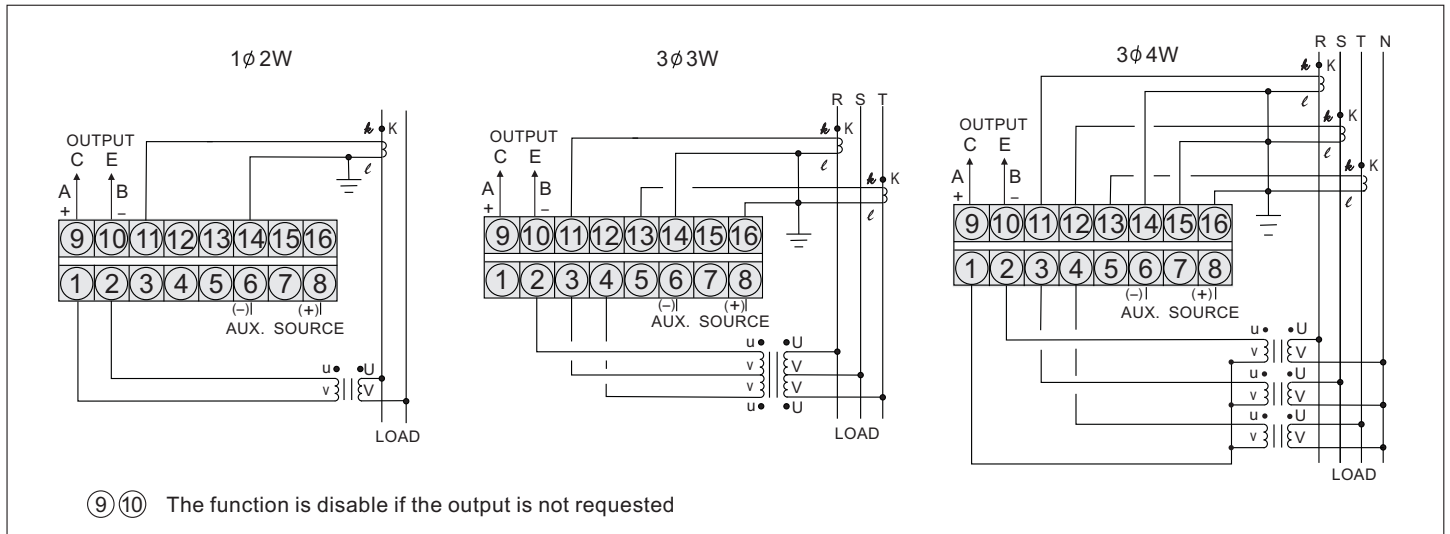


CONNECTION DIAGRAMS

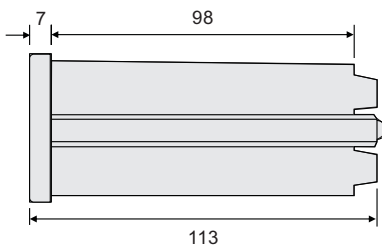
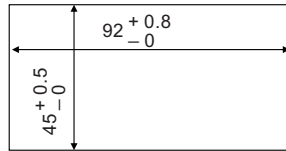
Figure G.



OUTSIDE DIMENSION (UNIT:mm)

Figure 01.

• PANEL CUT-OUT



TAIK ELECTRIC CO., LTD.

4TH FL., NO.5, ALLEY 11, LANE 327, CHUNGSHAN RD., SEC.2,
CHUNGHE DISTRICT, NEW TAIPEI CITY, TAIWAN, R.O.C.

TEL: 886-2-22426825 E-mail: taikco@ms15.hinet.net
FAX: 886-2-22426827 http://www.taik.com.tw