

MFM-800 Multi-Function Power Meter



MFM-800 is designer for single and three phase power monitoring and measurement. It provides wide range of measurements including current, voltage, energy, watt, power factor, watt-hour, frequency...etc. MFM-800 also build-in RS485 can easily integrate with most third SCADA system.

DIN 96*96 standard compact size enable MFM-800 to be easily installed and its low cost and wide flexibility application also made MFM-800 a good choice for modern power monitoring.

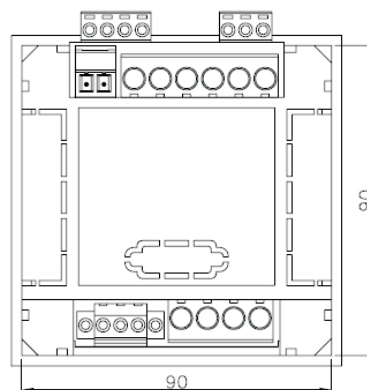
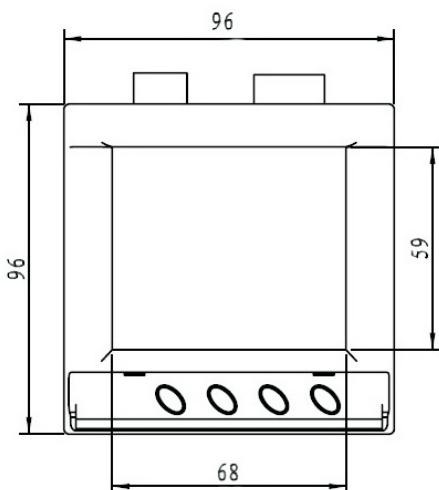
Features

- 📶 Comply IEC62053-22 Class 0.5 standard
- 📶 V、I accuracy <0.2%, Wh<0.5%, with bi-directional energy measurement
- 📶 More than 90 parameters measure
- 📶 Current direction setting to correct the display value
- 📶 Large size of LCD with backlight adjustment in 4-stage, easy to operate
- 📶 Power Quality measurement in V/I THD、 V/I unbalance、 V Eligibility、 Min.& Max. parameters
- 📶 Compact size, standard DIN 96*96, equipped with four clips to tight the meter on the sheet metal
- 📶 With RS485 communication protocol, optional in RFID Wireless
- 📶 Good accuracy, wh<0.5%(PF=1)

Mounting

📶 Front View(mm)

📶 Back View (mm)



- 📶 After mounting the instrument, place all four support latch in position.
Pannel cut-out area is 92x92mm



Specification

| | |
|--------------------------|---|
| Aux Power | AC80-264V/DC100-300V, Max.2.3W |
| Input Voltage | CATII 10V-600V L-L* |
| Input Current | 2mA-5A |
| Accuracy | V · I 0.2% · W 0.5% (PF=1.0) |
| Frequency | 45-65Hz |
| Measures | V, I, kW, kvar, kVA, kWh, kvarh, kVAh PF, Frequency, Demand, Running hour |
| Alarms | NONE · OVER V/I · OVER F · UNDER V /I · UNDER F · OVER Dmd · ANY |
| Power Quality | V/I THD · V/I unbalance · V Eligibility · Min.& Max. parameters |
| | Mono 68X59 LCD |
| Communication | RS485*1, optional in RFID Wireless |
| Timer | RTC |
| Wiring Ports | Aux Power · Voltage · Current · DO*2 · RS485 · Secondary Comm. port DO OUTPUT*2 : DO1 Alarm output · DO2 Pulse/ Alarm output |
| Operation Temperature | -20°C-70°C |
| Storage Temperature | -25°C-80°C |
| Humidity | 20-90%RH |
| Dust/Water Proof Rating | Panel : IP52 · Case : IP20 |
| Size | 96(W) × 96(H) × 97(L) mm |
| Power consumption | 0.45~0.7W (Backlight off) 1.3~1.7W (Max. ,Backlight) 2.3W (Max. Backlight & Lon module) |
| Environmental Conditions | Indoor use Altitude up to 2000M Transient overvoltage on the mains supply is 2500V Pollution degree : 2 |

*CATII-Is for measurement performed on circuits directly connected to the low voltage installation

Certificate

📶 LVD Test: EN61010-1

📶 CE Test :

- | | |
|---|---|
| - EN61326 Conducted Emission | - En61326 Radiated Emission |
| - EN61000-3-2 Harmonic Current Emission | - EN61000-3-3 Voltage Fluctuation and Flicker |
| - EN61000-4-2 Electrostatic Discharge | - EN61000-4-3 Radiated Susceptibility |
| - EN61000-4-4 Electrical Fast Transient/Burst | - EN61000-4-3 Radiated Susceptibility |
| - EN61000-4-6 Conducted Susceptibility | - EN61000-4-5 Surge |
| - EN61000-4-11 Voltage Dips and Interruption | - EN61000-4-8 Power Frequency magnetic Field |

📶 FCC Test : Class A and CISPR 22

Ordering Code : MFM - 800 - □ - □ - □ - □

| | | | |
|---------------|------------------------------------|--|--------------------|
| 📶 Type | 📶 Second communication Port | 📶 CT Option | 📶 Frequency |
| A. Advanced | 0. None 1. RFID Wireless | 0. None : With internal 1. 10A External, CTΦ10mm, 10mA-10A 2. 60A External, CTΦ10mm, 25mA-60A 3. 120A External, CTΦ16mm, 50mA-120A 4. 200A External, CTΦ24mm, 100mA-200A | 0. 60Hz 1. 50Hz |