

International Edition



We ask you to indicate our reference numbers and quantity packaging on all your purchase orders in order to facilitate an easy procedure of the order.

Return shipments based on wrong placed orders effects a tremendous procedure and costs and therefore in such cases we are obliged to apply a handling charge.

Weights, dimensions, technical details and sketches are carefully issued (error excepted) but not obligatory on deliveries. For technical reasons our products are subject to modification continuously due to creative, design and technical progress.

Info

- Company portrait
- Our brands
- Technical descriptions
- Standards
- Glossary of terms



1

Sockets

- Surface Mounting Socket Outlets
- Panel Mounting Socket Outlets
- Combined Surface Mounting Socket Outlets
- Switched, interlocked, fused
- Accessories for sockets



2

Plugs, connectors

- Plugs
- Inlets
- Phase Inverters and Adapters
- Phase Sequence Indicators,
- Connectors
- Accessories for Plugs and Connectors



3

Domestic plugs and sockets

- Panel Mounting Socket Outlets
- Surface Mounting Socket Outlets
- Plugs and Inlets
- Connectors
- Extension Leads



4

Combinations

- Surface Mounting Socket Outlets
- Mobile/Portable
- Hanging
- Accessories for Combinations



5

Special plugs and sockets

- 7-pole
- Special 1h earth position
- Extra-low voltage
- DC
- 5h, 600V - 690V
- Plugs and sockets above 125A



6

Plugs and sockets for special fields of application

- Reefer Container, 32A 4p 3h
- Plugs and Sockets for military applications
- EX devices Zone 1, 2, 21 and 22
- Event technology
- Camping



7

Supplementary products

- Products with screw terminals
- E-V-E distribution units
- Bollards and stainless-steel distributors
- Empty enclosures
- Operating windows/ accessories
- Evobox
- Index
- General terms and conditions



8

BALS ELEKTROTECHNIK - THE RIGHT CONNECTION - MADE IN GERMANY -

With half a century of expertise and experience, Bals has become a quality brand all over the world and is renowned for its innovation, reliability and service.

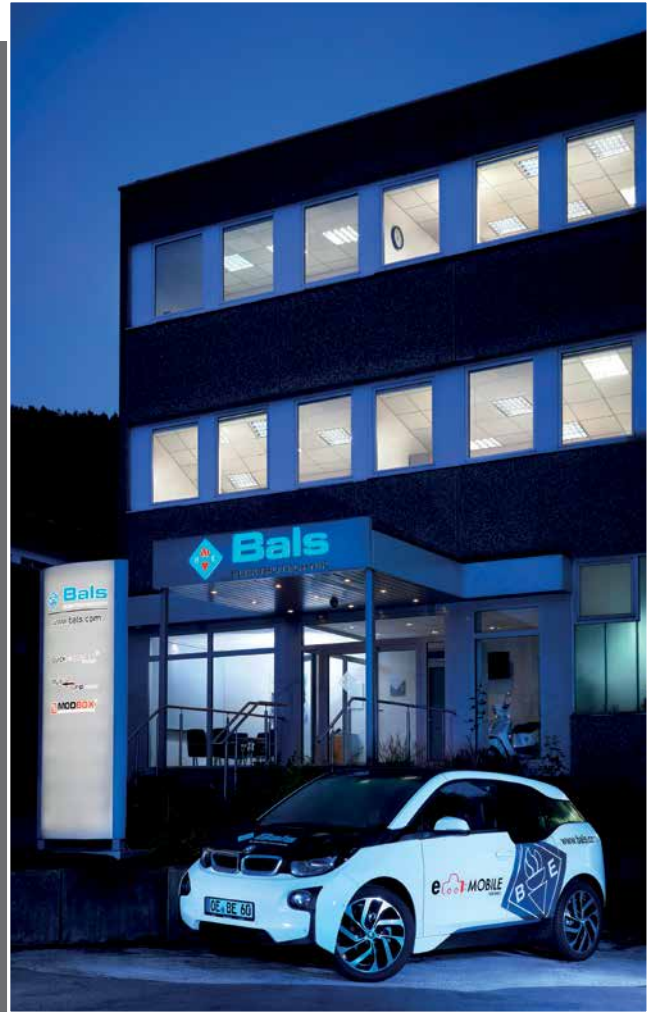
For more than 50 years, we have been producing CEE plugs and connectors for the world markets. From day one we have focussed on the highest level of quality "Made in Germany".

Our factories in Kirchhudem-Albaum and Freiwalde have highly skilled and motivated teams, the very latest manufacturing facilities and a highly efficient logistics system.

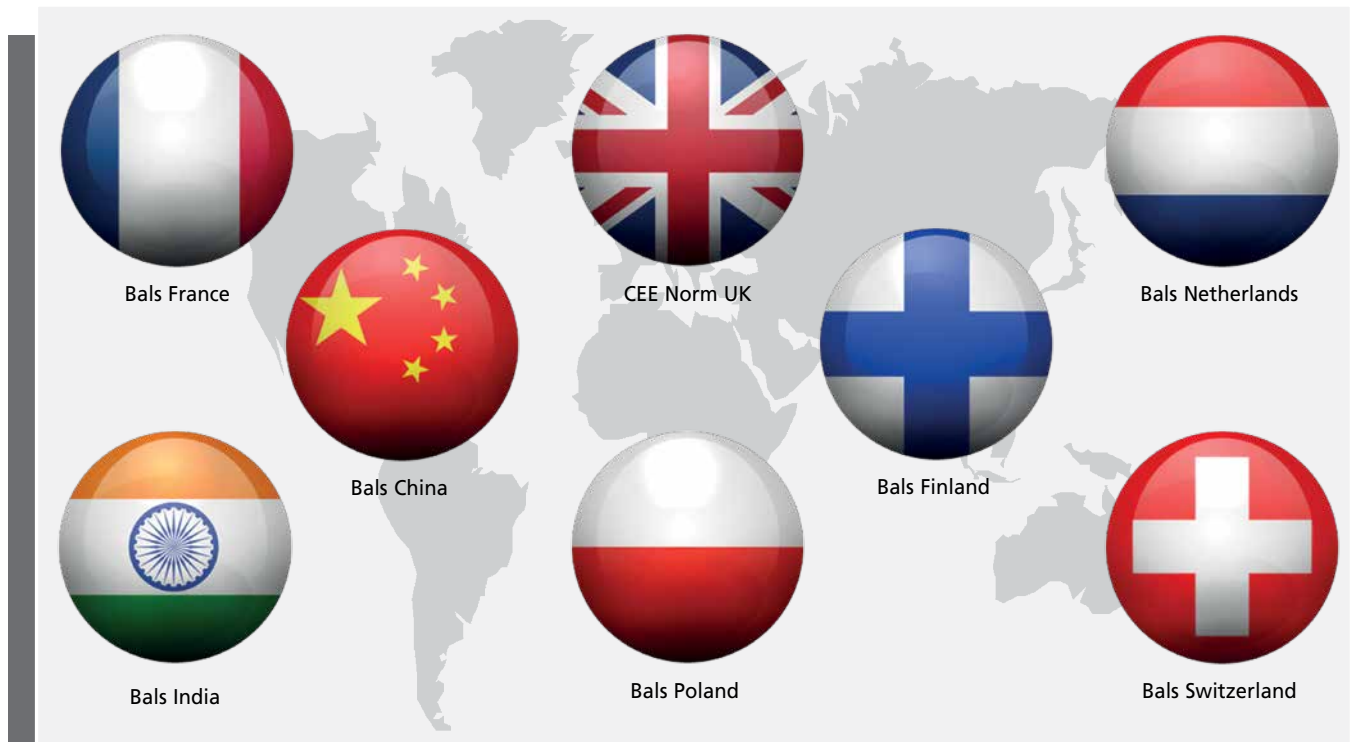
Our product portfolio ranges from plugs, phase inverters, connectors, sockets outlets and combinations units to special application devices.

Numerous certifications from German and foreign certification institutes, as well as registered designs and patents, document the high technical standard of our products.

A unique quality feature which has been developed exclusively by Bals is the maintenance-free Quick-Connect technology.



Factory in Kirchhudem-Albaum



Bals subsidiaries worldwide

Proximity to customers is extremely important to us: We see ourselves as a partner for our customers and consider trust and continual dialogue to be extremely valuable. At the world's leading trade fairs, at conventions or directly on site: Our incentive is to support the success of our customers by providing tailor-made solutions.

Our sales teams are close to our customers all over the world and are always available to provide advice and support for complex technical requirements.

In Germany, a comprehensive sales network of 15 commercial agencies and 8 field representatives ensures close-knit and competent customer support. Abroad, we are present in important countries such as France, Switzerland, England, the Netherlands, Poland, Finland, Russia, India and China with sales subsidiaries of our own.

Furthermore, we cooperate in many countries with committed partners on an exclusive basis in a spirit of trust.



We regularly exhibit our products at international trade fairs



Bals at the TEMCA Exhibition in Pattaya (Thailand)



Bals stand at "Light + Building", the world's largest trade fair for light and building technology

CUSTOMISED SOLUTIONS FROM A SINGLE SOURCE - FROM INITIAL DESIGN TO THE FINISHED PRODUCT -

From the initial idea and the first design drawing to the finished product:

We deliver series-produced innovations from a single source. A high level of expertise across all stages of production makes it possible for us to precisely fulfil the individual needs of the customer.

For us, flexibility, proximity to the customer and goal orientation are a matter of course. For this reason, our integrated production - from the product idea and design to tool making and production to the shipment of the products - is optimised for short processing paths and the fastest response times just in time.

Our experienced engineers develop special solutions for special requirements. Numerous corporate groups and large companies in Germany and abroad rely on our products: railways, underground and opencast mining, power stations, renewable energy, ports and many more - our distributor combinations and plugs and sockets provide a high level of reliability and safety even under adverse conditions.



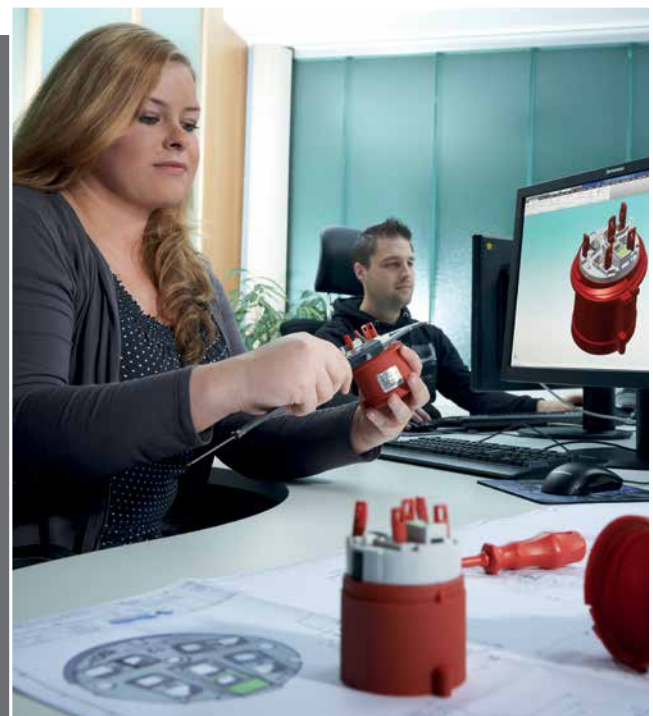
Our sales team is looking forward to receiving your call



Design meeting



From the initial drawing to the finished product ...



... with motivated staff and a modern CAD system

A PRODUCTION PROCESS THAT LEAVES NO WISH UNFULFILLED
- PREMIUM QUALITY FOR YOUR REQUIREMENTS -

The ISO-9001-certified production process in all factories ensures the high product quality typical for which Bals is famous.

Modern injection moulding machines and automatic production lines guarantee the consistently high level of quality that you expect from a leading manufacturer.

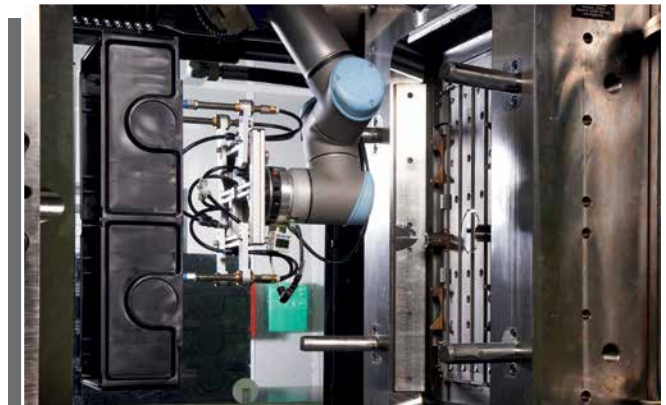
Selected raw materials, a modern production process as well as continuous inspection and quality control ensure that you can rely on our combination units, plugs and sockets – one hundred percent, day by day, in every situation. The high quality of the Bals devices, is reflected in their quality features:

impact resistant, dimensionally stable, self-extinguishing, abrasion-, cold-, and heat-resistant. Bals products convince by long service life and reliable operation.

Our presence in more than 80 countries worldwide means that we are always close to the needs of customers. Bals products are also approved in North America, China and South Africa and are therefore ideal for use worldwide.



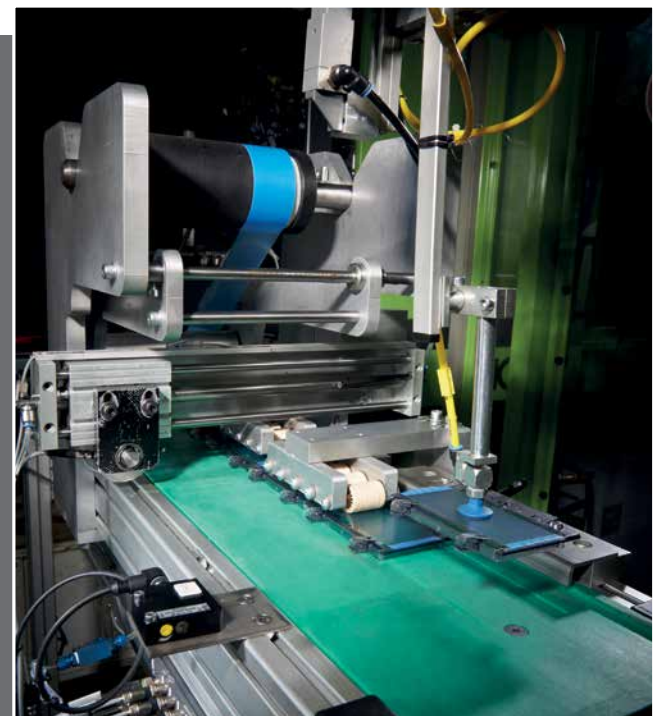
Not just standard products but also variable configurations are part of our day-to-day business



Automatic removal process for our VARIABOX system



State-of-the-art assembly lines with integrated automatic testing machines



... and integrated removal function

QUALITY SIGNED AND SEALED - YOU CAN RELY ON THAT! -

Trust is good but continuous inspection and quality control is better:

To ensure a consistently high level of quality, our products are continuously monitored and inspected in our modern, in-house testing laboratory.

This allows us to validate the various operating and ambient conditions directly on site. In climatic chambers, the high quality standard of our products is tested under realistic conditions across a broad range of temperatures humidity levels.

Furthermore, devices for e.g. the glow wire test as well as for dynamic, electrodynamic and thermal-stress testing are also available. The requirements of the protection degree test can be simulated at a splash-water testing facility and in an immersion tank.

We regard the test standard requirements as minimum. The demands that we place on our products go way beyond these requirements.

All test data is continuously collected online or offline and can, on request, be provided as test documentation with the corresponding results.



Long-term test at -40 °C in the climatic chamber



Splash-proof, water test



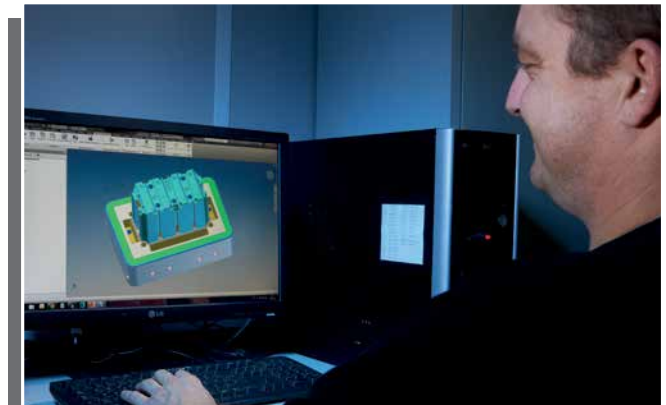
Modern, in-house test laboratory for ensuring that our high quality standards are met

PARTNERSHIP BASED ON TRUST
- YOUR SUCCESS IS OUR GOAL -

You can always rely on Bals products:
300 motivated employees who are deeply committed to the company have just one goal:
To ensure that our customers are fully satisfied.
Individual solutions that function safely and reliably even under adverse operating conditions will make you more successful!
Quality, flexibility and a streamlined organisation are the guiding principles of our internationally experienced management team.
These principles are put into practice by our employees on a daily basis in tried-and-tested products and outstanding service.
Trust us and our sales partners.
Benefit from our experience and expertise.



Fully automatic testing station with documentation



Three-dimensional production programs in the operation process



Certifications



VARIABOX distributors - series production



The QUICK-CONNECT range leaves no wish unfulfilled



QUICK-CONNECT connection technology 16A and 32A



QUICK-CONNECT connection technology 63A

- Invented in 1998 and patented by Bals: the screwless quick connection technology based on the spring-clamp principle

- Time savings of up to 75% over other conventional connection technologies

- Faster, more reliable and, above all, more controlled conductor connection

- The terminal accepts all types of copper conductors, rigid or flexible, with or without wire end ferrule as well as conductors of all quality grades irrespective of the conductor diameter or conductor insulation

- No wire end ferrules needed

- On delivery, the terminals are open and the contact pressure of the springs is optimally set

- Pressing the contact slide or locking lever with a finger visibly, audibly, reliably and permanently closes the terminal after the stripped conductor has been inserted

- Rewiring is no problem. Pressing the locking lever or contact slide again releases the conductor; unlike insulation displacement connector technology, the conductor can then be used again without needing further processing steps.

- The damage-free conductor clamping guarantees an optimum connection over the entire service life

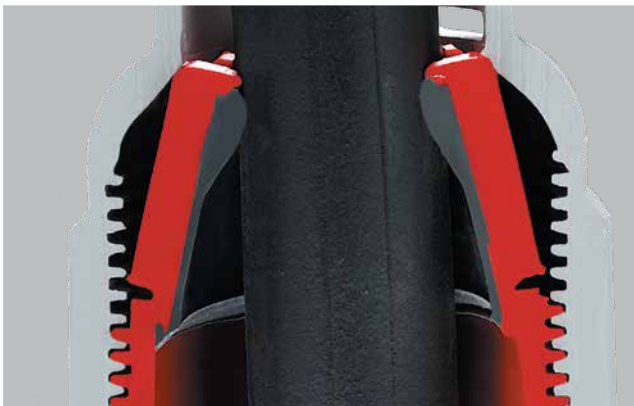
- Quick-Connect is maintenance-free, insensitive to shocks, vibrations and temperature fluctuations

The following conductor cross sections can be used in the Quick-Connect plugs and sockets:

Quick-Connect plugs and connectors 16A:	1 mm ² - 2.5 mm ² (flexible conductors)
Quick-Connect panel and Surface Mounting Socket Outlets 16A:	1.5 mm ² - 4 mm ² (rigid and multi-wire conductors)
Quick-Connect plugs and connectors 32A:	2.5 mm ² - 10 mm ² (flexible conductors)
Quick-Connect panel and Surface Mounting Socket Outlets 32A:	2.5 mm ² - 10 mm ² (rigid and multi-wire conductors)
Quick-Connect plugs and connectors 63A:	6 mm ² - 16 mm ² (flexible conductors)
Quick-Connect panel and Surface Mounting Socket Outlets 63A:	6 mm ² - 25 mm ² (rigid and multi-wire conductors)



Multi-Grip available from 16A to 125A



Permanently attached, captive seal



Multi-Grip cable gland achieves protection degree IP67

- Cable gland system with integrated strain relief, invented by Bals in 2002
- The special cable gland is secured against self-loosening and unintentional loosening when inserting and withdrawing the plug by means of a buttress thread
- The rubber seal which is permanently joined to the enclosure cannot be lost. The time-consuming adjustment of the onion rings to the cable diameter is no longer necessary
- Simply tighten the Multi-Grip cable gland for damage-free, airtight and permanent mounting of the cable without any kind of deformation
- Multi-Grip cable glands achieve at least protection degree IP67
- Water no longer remains in the flared opening; it is instead forced out through the drainage openings
- The exterior strain relief system sits against the captive seal and prevents the penetration of water or dirt into the connection cavity of the plug even if the cable is moved
- The tensile strength exceeds the values specified in standards IEC 60309, EN 60309, VDE 0623 many times over
- The condition of the strain relief system can be inspected at any time from the outside without opening the plug enclosure

Multi-Grip easily adapts to almost all cable and wire types! The following cable diameters can be fed in without affecting the tightness or capacity for strain relief.

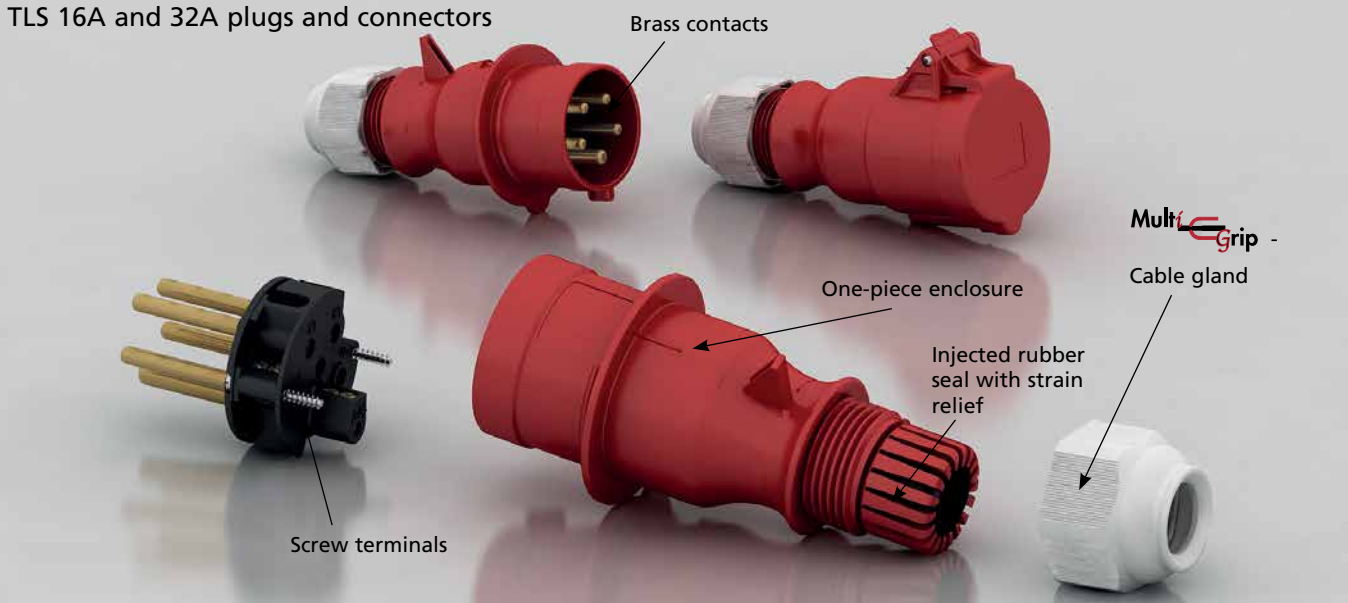
TE- and TE-Plus plugs	Cable diameter
16A, 3 and 4-pole TE and TE-Plus	Ø8 mm - Ø18 mm
16A, 5-pole TE and TE-Plus	Ø10 mm - Ø21 mm
32A, 3 and 4-pole TE and TE-Plus	Ø11 mm - Ø23 mm
32A, 5-pole TE and TE-Plus	Ø13 mm - Ø27 mm
63A, 3 to 5-pole TE and TE-Plus	Ø16 mm - Ø36 mm
125A, 3 to 5-pole TE	Ø26 mm - Ø50 mm

TLS and QC standard plug and socket	Cable diameter
TLS 16A, 3/4/5-pole	Ø8 mm - Ø18 mm
TLS 32A, 3/4/5-pole	Ø11 mm - Ø23 mm
QC standard 16A, 3/4/5-pole	Ø8 mm - Ø18 mm
QC standard 32A, 3/4/5-pole	Ø11 mm - Ø23 mm

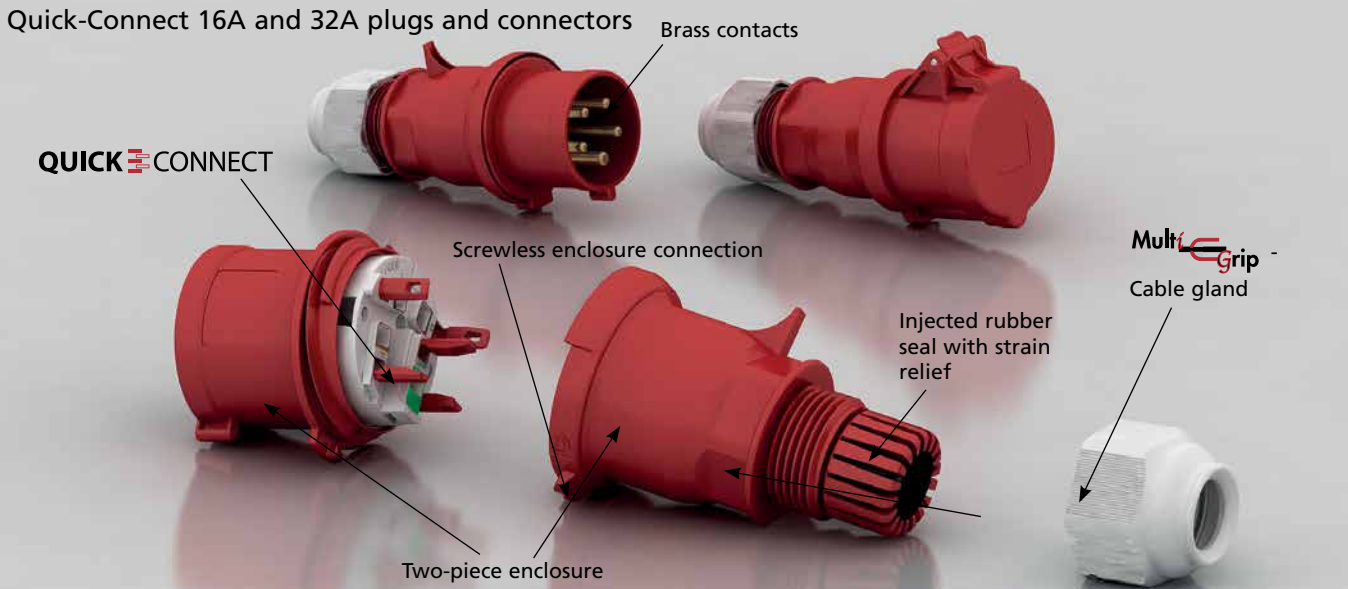
A reducer (type 29129) is available for all 16A plugs and sockets (see page 102). It allows cable diameters of less than ø 8 mm to be sealed tightly.

OUR PLUG AND SOCKET SERIES

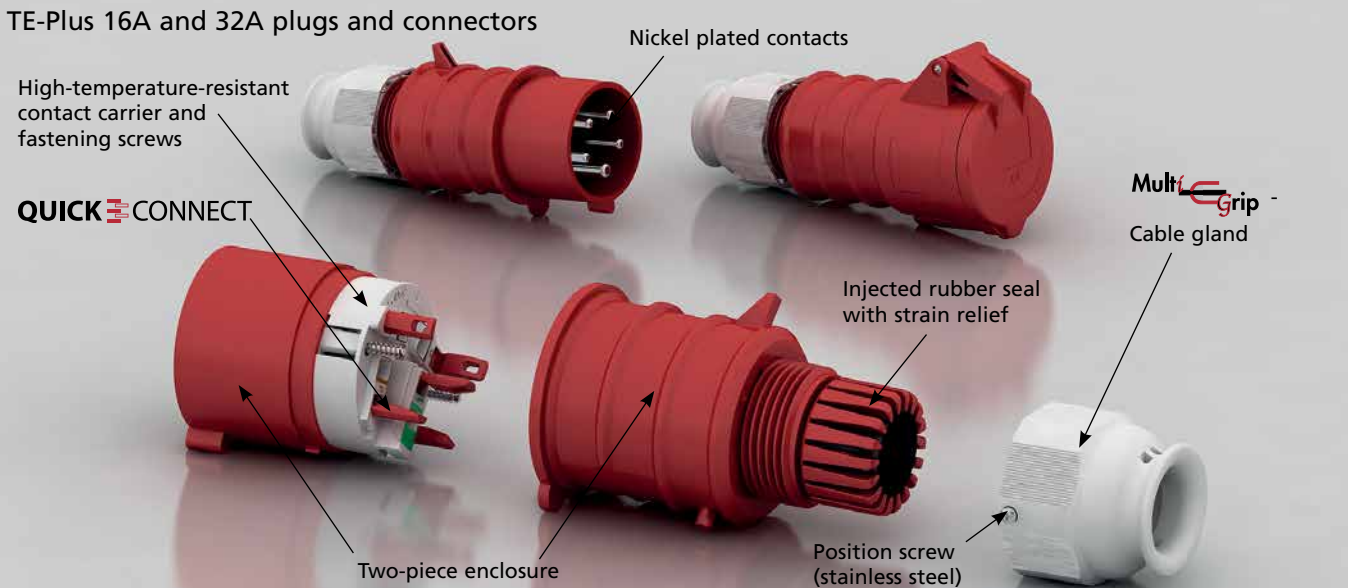
TLS 16A and 32A plugs and connectors



Quick-Connect 16A and 32A plugs and connectors



TE-Plus 16A and 32A plugs and connectors





Domestic Sockets in German or Belgium/ French System in Quick-Connect or screw version

In March 2013, an important change relating to the selection of Domestic Panel Mounting Socket Outlets on distributor systems came into effect in the new version of DIN VDE 0620. With the IPX4 sockets, a distinction is made between stationary and mobile operating conditions. The IPX4 sockets for mobile applications must be equipped with an additional sealing collar which ensures a protection degree of IP44 when connected to an IPX4 plug.

ATTENTION!

Domestic plugs higher than IPx4 (e.g. a Domestic plug IP67) must NOT be used with a mobile IPX4 Domestic socket with sealing collar. The design of these plugs means that there is insufficient contact. Similarly, plugs that do not structurally correspond to IPX4 (e.g. the flat design of the Euro plug) must NOT be used with the above-mentioned sockets. Owing to the different design, it is not possible to guarantee leaktightness.



VARIABOX surface mounting distributor with IP44 Domestic socket for stationary distributors



Mobile distributors with IP54 Domestic socket (with sealing collar) for mobile distributors



- Fuse elements arranged below transparent, lockable operating window with user-friendly OTC mechanism (one touch close). It engages in the open state and locks again automatically when touched lightly
- Coded flange plate system for maximum safety during initial installation and maintenance
- All CEE sockets with screwless, maintenance-free QUICK-CONNECT technology and standardised flange dimensions, therefore independent of manufacturer if necessary
- Colours: bottom - black, top - electro-grey (enclosure top optionally available in the colours yellow, red, blue or silver)
- Surface mounting or mobile distributor versions in the sizes S (1-module), M (2-modules), L (3-modules), XL (4-modules), XXL (5-modules)
- Ready wired for installation
- Available in the protection degrees IP44, IP54 and IP67
- Enclosure made of high-grade, impact-resistant thermoplastic
- Top and bottom can be sealed together
- With external and internal fastening
- The cover screws are captive and can be actuated using a flat-tip or cross-tip screwdriver or using an internal or external hexagon spanner
- Modular expansion on all 4 sides
- Straight top hinged at side



Technical data

- Maximum protection degree IP68
- With MODBOX-Midi with user-friendly OTC operating window
- Modular expansion on all 4 sides
- Yellow end corners for increased safety
- Cover available on request with or without rain roof
- Hard rubber mixture with hardness grade of 99 shore
- Corners and stability framework are made of cured glass-fibre-reinforced polyamide
- Outer corners luminous on request
- Fully insulated

Material properties

- Impact-resistant
- UV-resistant
- Halogen-free
- Resistant to ageing, temperature, oil and acid
- Excellent resistance to chemicals
- Flame-resistant, self-extinguishing

The standard DIN EN 61439:2012 has replaced the previous DIN EN 60439. It describes the design, construction and requirements for low-voltage switchgear assemblies and therefore has a considerable impact on electrical power distribution in industry, for domestic installation and on construction sites.

With Bals Elektrotechnik distributors, you play it safe in every respect: Our most recent distributor generations fully meet the specifications of the new standard.

The basic requirements are defined in DIN EN 61439-1 and adapted to the specifics of the respective application by the addition of corresponding standard sections. We therefore make a distinction between 3 categories in this product group:

1. Power switchgear assemblies in accordance with DIN EN 61439-2
2. Installation distributors in accordance with DIN EN 61439-3
3. Construction site power distributors in accordance with DIN EN 61439-4


All plug and Combinations produced by Bals Elektrotechnik in accordance with the basic standard DIN EN 61439-1 and the corresponding standardisation sections DIN EN 61439-2, 61439-3, 61439-4 can be operated without exception by non-experts. This includes the connection and disconnection of plug and socket devices as well as the operation of safety elements installed by us, such as miniature circuit breakers or residual current circuit breakers.

The operating elements are installed in such a way that they comply with protection degree IP 2X, which also covers protection degree IP XXB (DIN EN 61439-3 Paragraph 8.2.2. and DIN EN 61439-2 Paragraph 8.101 Note 1).

Non-experts are, of course, not permitted to open the enclosures of live combination units.

For this reason, it is only possible to open our enclosures using a suitable tool.

With Bals Elektrotechnik distributors you meet the specifications of the DIN EN 61439 standards without running any risk with regard to requirements or approval.

I_n Rated current of assembly		IP Protection degree	
		Typ	IP44
		Made in Germany	
Spannung voltage	200V/346V 240V/415V ~	Frequenz frequency	50 - 60Hz
I_n	40A	Maße dimension	390x230x145mm
RDF	0,8	$I_{cc} \leq 10kA$	Gewicht weight
Temp	- 25/ + 40°C	U_{imp}	4kV
DIN EN 61439 - 3 CE		Baujahr year of construction	10/14

I_{cc} Conditional rated short-circuit current
 U_{imp} Rated voltage
 RDF Rated load factor

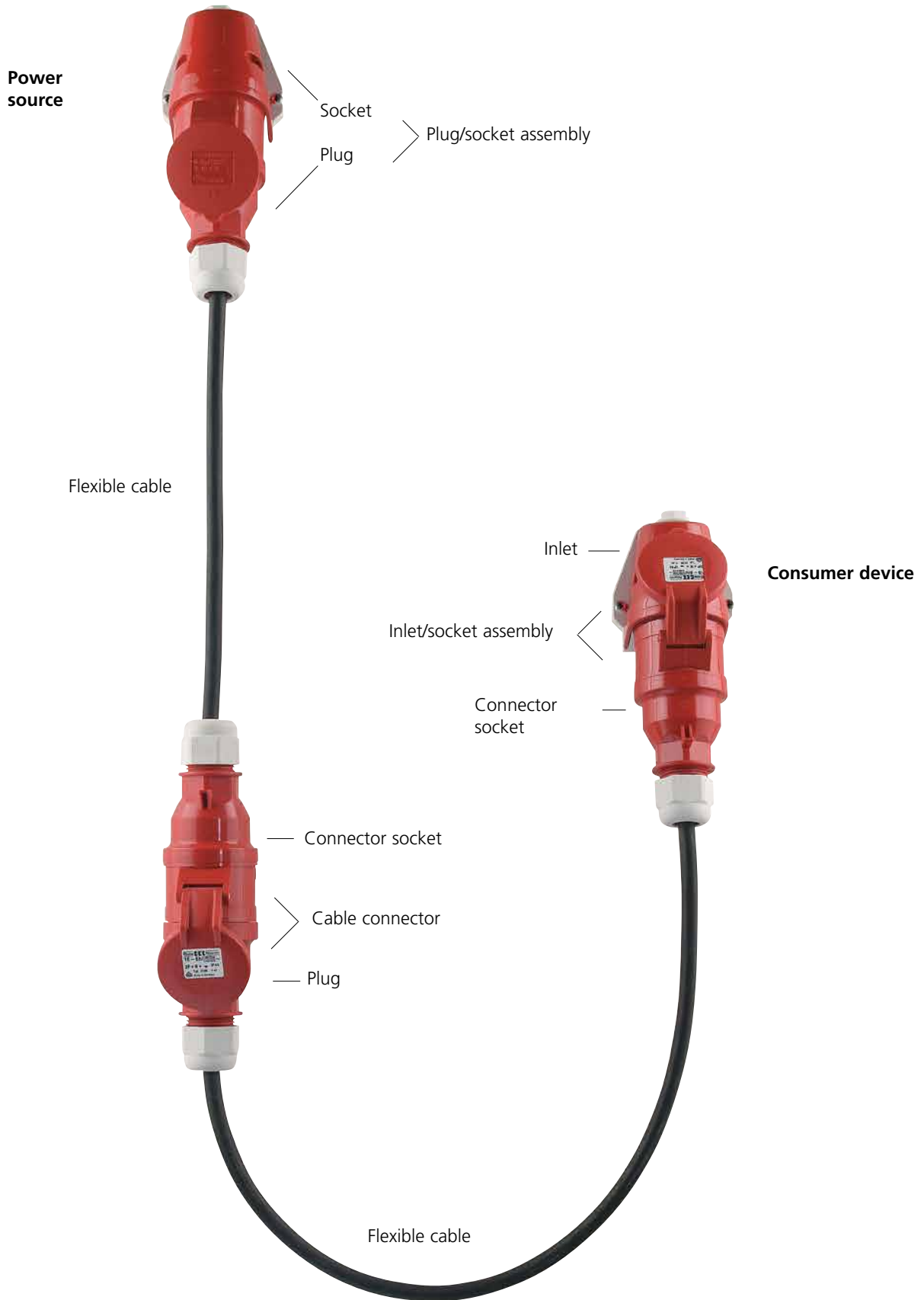
Example of type label



VARIABOX M combination with fuse protection



Portable mobile distributor with fuse protection



Information about CEE plugs and sockets for industrial applications

CEE plugs and sockets are internationally standardised by IEC 60309-1,-2 and also EN 60309-1,-2 valid in Europe.

IEC (International Electrotechnical Commission)

International electrotechnical commission responsible for worldwide standardisation in the electrotechnical field.

IECEE CB (IEC System for Conformity Testing to Standards for safety of Electrical Equipment)

IEC system for conformity testing of electrical equipment in accordance with safety standards.

CENELEC (European committee for electrotechnical standardisation)

International electrotechnical commission responsible for European standardisation in the electrotechnical field.

Series of EN 60309 standards

This European standard was ratified by CENELEC. The CENELEC members are obliged to comply with the requirements of the CEN/CENELEC rules of procedure which define the conditions under which this European standard is, without any modification, to be given the same status as a national standard.

This European standard shall exist in two official versions (English, French). A version in a different language that has been translated into the respective national language independently by the CENELEC member and communicated to the Central Secretariat shall have the same status as the official versions.

CEE standard system

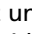
To ensure that a plug cannot be inserted into a socket with a different voltage or frequency, the positions of the protective contacts relative to the keyway of the socket collar have been assigned to certain voltages and frequencies. A groove in the connector collar and a corresponding lug on the plug prevent hazardous confusion between the systems.


Even if this safety device is damaged, hazardous connection of the protective conductor pin and the phase sleeve is still not possible as the protective conductor pin which has a considerably larger diameter than the phase pin cannot be inserted into the phase sleeve.


Bals CEE plugs and sockets for amperages of 16A, 32A, 63A and 125A have sufficient switching capacity in accordance with DIN EN 60309 and can be actuated under load on consumables up to 690 V AC in accordance with DIN VDE 0100; corresponding test documents can be provided on request.

CEE plugs and sockets for amperages of 63A and 125A are equipped with a pilot contact that enables electrical interlocking or monitoring as per DIN EN 60309. This contact closes late when plugging in and opens early when pulling out.

system QUICK  CONNECT

In 1998, Bals was the first manufacturer to introduce screwless connection technology based on the spring-clamp system onto the market under the brand name **QUICK  CONNECT**. Today, this technology developed by Bals is accepted and patented worldwide, is VDE-tested and has been approved without restriction.

The entire **QUICK  CONNECT** product range can therefore be used universally, consists of over 700 items and is available in all product categories and the customary protection degrees. Every year, Bals puts over 3 millions units of these unique products on the market worldwide and has consistently adapted its entire production and sales system to this innovation. The products are available from 16A 3p to 63A 5p as plugs, connectors and sockets.

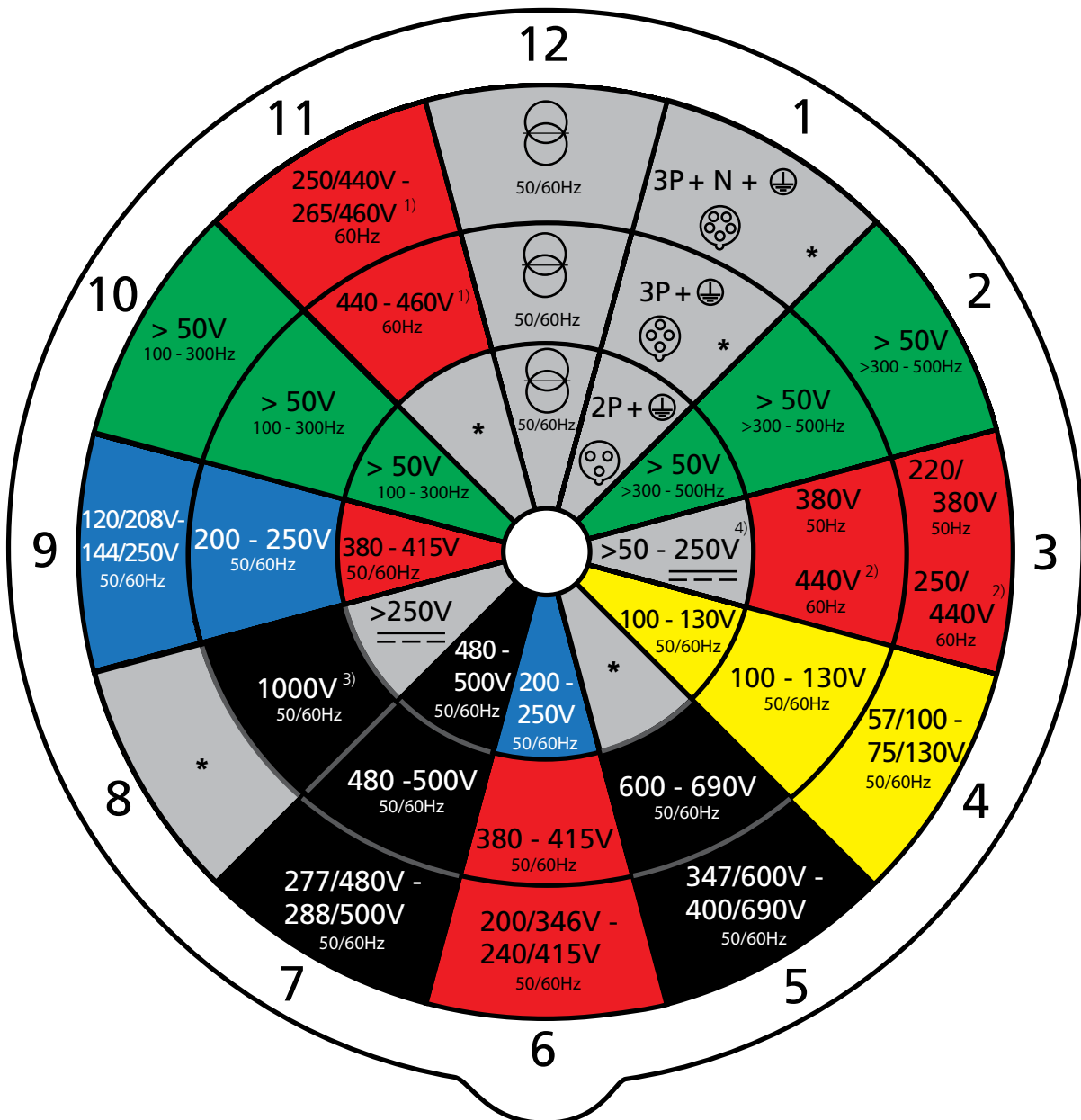
QUICK  CONNECT puts an end to fault-prone threaded connections and prevents the inherent problems associated with insulation displacement connector technology. The time-saving and cost-cutting innovation from Bals is consistently marketed via the three-stage sales channel and, owing to its technical benefits and patented unique characteristics, offers major commercial opportunities for marketing agents and end users.

Bals focuses consistently on its inventions and therefore mentions a large part of the still available screw products only briefly at the end of this catalogue.

More information about the new technologies can be found on page 8 and 9, and on the introduction pages of the individual product groups.

The illustration shows the position of the protective contact of a socket (front view) with rated operating voltages above 50 V, in accordance with DIN EN 60309-2. Plugs and inlets are mirror-inverted.

- 1) Mainly for ship installations
- 2) For reefer containers only (ISO standardised)
- 3) For 63A and 125A industrial plugs and sockets only
- 4) PE conductor required















⊖ After transformer

— DC








* All other configurations not covered by the rated operating voltages and/ or frequencies. This clock face position can be additionally used in special applications in which a distinction to standardized positions is required.

Position of the auxiliary lug relative to the basic lug for various voltages up to 50 V and frequencies up to 500 Hz in accordance with DIN EN 60309-2.

Poles	Frequency	Rated operating voltage	Position of auxiliary lug	colour code
2-, 3-poles	50 and 60	20 - 25	none 	violet 
	50 and 60	40 - 50	12 h 	white 
	100 - 200	40 - 50	4 h 	green 
	300	20 - 25 40 - 50	2 h 	green 
	400	20 - 25 40 - 50	3 h 	green 
	above 400 - 500	20 - 25 40 - 50	11 h 	green 

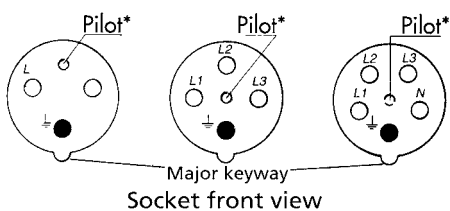
Colour Coding

When the operating voltage is indicated colour codes in addition to the specified labels, the colour code given in the table below should be used:

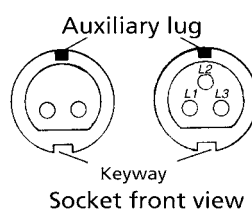
Rated operating voltage or frequency	colour code
20 - 25 V	violet 
40 - 50 V	white 
100 - 130 V	yellow 
200 - 250 V	blue 
380 - 480 V	red 
500 - 690 V	black 
above 60-500 Hz	green 

Contact layout for CEE plugs and sockets

Greater than 50 V:




Up to 50 V:






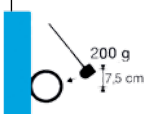

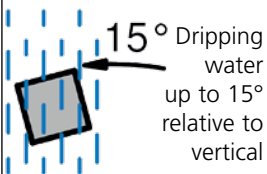
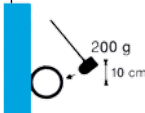

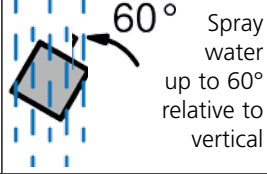
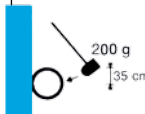

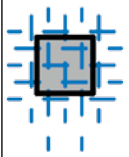
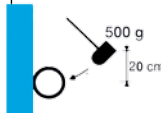


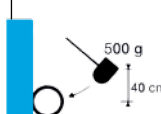


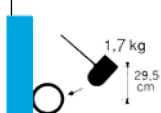
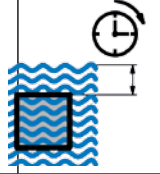
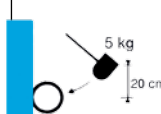
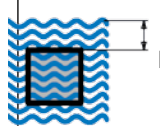
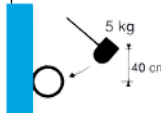


Identification of conductor connections

The connections must be labelled with the following symbols: L1, L2, L3 or 1, 2, 3 for the outer conductors.

The neutral conductor is labelled with N and the earth contact with .

*only at 63A and 125A

IP protection degrees for enclosures as per DIN EN 60529 (DIN VDE 0470)				IK code as per DIN EN 62262 (VDE 0470)		
1st code digit	Protection of enclosure against penetration by	Protection against contact with	2nd code digit	Protection of enclosure against damage caused by	Code digit	Impact resistance
0	 No protection	 No protection	0	 No protection	0	Not protected according to standard
1	 Solid object larger than 50 mm	Back of hand	1	 Vertically falling dripping water	01	 Energy 0.140 joule
2	 Solid object larger than 12.5 mm	Finger	2	 15° Dripping water up to 15° relative to vertical	02	 Energy 0.200 joule
3	 Solid object larger than 2.5 mm	Tool	3	 60° Spray water up to 60° relative to vertical	05	 Energy 0.700 joule
4	 Solid object larger than 1 mm	Wire	4	 Splashing water from all directions	06	 Energy 1 joule
5	 Damaging dust deposits		5	 Water jet from all directions	07	 Energy 2 joule
6	 Dust-proof (full protection)		6	 Strong water jets	08	 Energy 5 joule
Example of IP67: Ⓒ Dust-proof (full protection) Ⓓ Protection against immersion under specific pressure and time conditions			7	 Immersion under specific pressure and time conditions	09	 Energy 10 joule
			8	 Immersion under specific pressure for indefinite time *	10	 Energy 20 joule

* Conditions are defined jointly by the manufacturer and end user. Tightening of the test conditions compared to code digit 7.

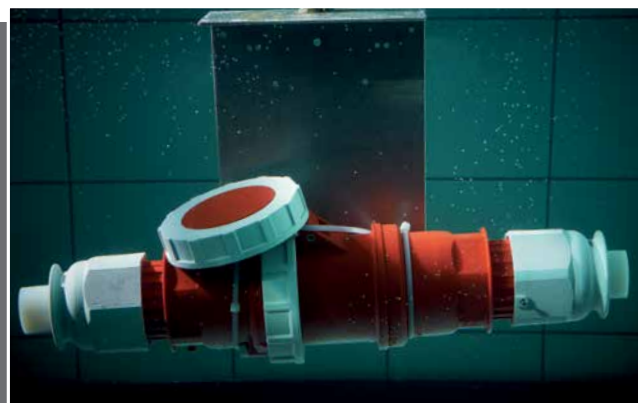
All Bals plugs and sockets are:

Impact-resistant, even at extremely low temperatures	→	Tested to -25°C
Dimensionally stable, even with high heat generation	→	Glow wire test at 650°C and 850°C
Protected against splashing water, watertight and dust-proof in accordance with protection degrees IP44 and IP67	→	Tests in accordance with DIN EN 60529, e.g. at water depth of 1 m
High switching capacity, can therefore also be connected and disconnected under load	→	Contacts and insert are subjected to a continuous mechanical, electrodynamic and thermal load
Ageing resistant	→	Long-term testing at a temperature of 80°C
Good electrical insulation properties	→	Plastic parts used insulate voltages of ≥ 2500 V~
Dimensionally stable and abrasion-resistant	→	Tested through years of use under harsh operating conditions
Environmentally friendly	→	Plugs and sockets are PVC-free, cadmium-free and halogen-free

The same generally applies for the plug/socket combination systems as for plugs and sockets, whereby here it is particularly important to take resistance against chemicals into consideration. The high-quality plastics and solid rubber used are suitable for the majority of applications. If, however, chemicals are used (e.g. for cleaning tasks in food processing plants), it may be necessary to use a different material (see "Material resistance list" on page 21) or contact us.



Glow wire test



Immersion test

	Polyamide	Polycarbonate	Polyester	Rubber
Acetic acid 10%	<input type="checkbox"/>	<input checked="" type="checkbox"/>	<input checked="" type="checkbox"/>	<input type="checkbox"/>
Acetone	<input checked="" type="checkbox"/>	<input type="checkbox"/>	<input checked="" type="checkbox"/>	<input checked="" type="checkbox"/>
Alcohol (ethyl alcohol)	<input checked="" type="checkbox"/>	<input checked="" type="checkbox"/>	<input checked="" type="checkbox"/>	<input checked="" type="checkbox"/>
Alcoholic beverages	<input checked="" type="checkbox"/>	<input checked="" type="checkbox"/>	<input checked="" type="checkbox"/>	<input checked="" type="checkbox"/>
Ammonium (aqueous)	<input checked="" type="checkbox"/>	<input type="checkbox"/>	<input checked="" type="checkbox"/>	<input checked="" type="checkbox"/>
Benzene	<input checked="" type="checkbox"/>	<input type="checkbox"/>	<input checked="" type="checkbox"/>	<input type="checkbox"/>
Bromine	<input type="checkbox"/>	<input type="checkbox"/>	<input type="checkbox"/>	<input type="checkbox"/>
Butter	<input checked="" type="checkbox"/>	<input type="checkbox"/>	<input checked="" type="checkbox"/>	<input type="checkbox"/>
Caustic detergent solutions	<input checked="" type="checkbox"/>	<input checked="" type="checkbox"/>	<input checked="" type="checkbox"/>	<input checked="" type="checkbox"/>
Chlorine	<input checked="" type="checkbox"/>	<input checked="" type="checkbox"/>	<input checked="" type="checkbox"/>	<input checked="" type="checkbox"/>
Curd soap solution (2%)	<input checked="" type="checkbox"/>	<input checked="" type="checkbox"/>	<input checked="" type="checkbox"/>	<input checked="" type="checkbox"/>
Dichloromethane	<input checked="" type="checkbox"/>	<input type="checkbox"/>	<input type="checkbox"/>	<input type="checkbox"/>
Diesel oil, heating oil	<input checked="" type="checkbox"/>	<input checked="" type="checkbox"/>	<input checked="" type="checkbox"/>	<input checked="" type="checkbox"/>
Edible oils and edible fats	<input checked="" type="checkbox"/>	<input checked="" type="checkbox"/>	<input checked="" type="checkbox"/>	<input checked="" type="checkbox"/>
Ethyl ether	<input checked="" type="checkbox"/>	<input type="checkbox"/>	<input checked="" type="checkbox"/>	<input type="checkbox"/>
Fruit juices	<input checked="" type="checkbox"/>	<input checked="" type="checkbox"/>	<input checked="" type="checkbox"/>	<input checked="" type="checkbox"/>
Glycerine	<input checked="" type="checkbox"/>	<input checked="" type="checkbox"/>	<input checked="" type="checkbox"/>	<input checked="" type="checkbox"/>
Glycol	<input checked="" type="checkbox"/>	<input checked="" type="checkbox"/>	<input checked="" type="checkbox"/>	<input checked="" type="checkbox"/>
Hydrochloric acid (up to 35%)	<input type="checkbox"/>	<input checked="" type="checkbox"/>	<input type="checkbox"/>	<input checked="" type="checkbox"/>
Hydrofluorocarbons	<input checked="" type="checkbox"/>	<input type="checkbox"/>	<input checked="" type="checkbox"/>	<input type="checkbox"/>
Hydrogen peroxide (30%)	<input checked="" type="checkbox"/>	<input checked="" type="checkbox"/>	<input checked="" type="checkbox"/>	<input checked="" type="checkbox"/>
Iodine	<input type="checkbox"/>	<input checked="" type="checkbox"/>	<input type="checkbox"/>	<input checked="" type="checkbox"/>
Lard	<input checked="" type="checkbox"/>	<input type="checkbox"/>	<input checked="" type="checkbox"/>	<input checked="" type="checkbox"/>
Methanol	<input checked="" type="checkbox"/>	<input type="checkbox"/>	<input checked="" type="checkbox"/>	<input checked="" type="checkbox"/>
Milk	<input checked="" type="checkbox"/>	<input checked="" type="checkbox"/>	<input checked="" type="checkbox"/>	<input checked="" type="checkbox"/>
Mineral oils and mineral greases	<input checked="" type="checkbox"/>	<input checked="" type="checkbox"/>	<input checked="" type="checkbox"/>	<input checked="" type="checkbox"/>
Nitrobenzene	<input checked="" type="checkbox"/>	<input type="checkbox"/>	<input checked="" type="checkbox"/>	<input type="checkbox"/>
Ozone	<input type="checkbox"/>	<input checked="" type="checkbox"/>	<input type="checkbox"/>	<input checked="" type="checkbox"/>
Perchloroethylene	<input checked="" type="checkbox"/>	<input type="checkbox"/>	<input checked="" type="checkbox"/>	<input type="checkbox"/>
Petrol	<input checked="" type="checkbox"/>	<input checked="" type="checkbox"/>	<input checked="" type="checkbox"/>	<input type="checkbox"/>
Premium petrol (aromatic)	<input checked="" type="checkbox"/>	<input type="checkbox"/>	<input checked="" type="checkbox"/>	<input type="checkbox"/>
Soap solution (aqueous)	<input checked="" type="checkbox"/>	<input checked="" type="checkbox"/>	<input checked="" type="checkbox"/>	<input checked="" type="checkbox"/>
Sulphuric acid (up to 40%)	<input type="checkbox"/>	<input checked="" type="checkbox"/>	<input type="checkbox"/>	<input checked="" type="checkbox"/>
Toluene	<input checked="" type="checkbox"/>	<input type="checkbox"/>	<input checked="" type="checkbox"/>	<input type="checkbox"/>
Trichloroethylene	<input checked="" type="checkbox"/>	<input type="checkbox"/>	<input type="checkbox"/>	<input type="checkbox"/>
Urea	<input checked="" type="checkbox"/>	<input checked="" type="checkbox"/>	<input checked="" type="checkbox"/>	<input checked="" type="checkbox"/>
Washing-up liquid	<input checked="" type="checkbox"/>	<input checked="" type="checkbox"/>	<input checked="" type="checkbox"/>	<input checked="" type="checkbox"/>
Water (hot)	<input checked="" type="checkbox"/>	<input checked="" type="checkbox"/>	<input checked="" type="checkbox"/>	<input checked="" type="checkbox"/>
Water and seawater (cold)	<input checked="" type="checkbox"/>	<input checked="" type="checkbox"/>	<input checked="" type="checkbox"/>	<input checked="" type="checkbox"/>

Resistant
 Conditionally resistant
 Non-resistant

This list contains the most common chemicals. It provides information on the basic resistance of the listed materials in combination with the listed chemicals. The concentration of the chemicals and the ambient temperature must additionally be taken into consideration. If other chemicals or a combination of chemicals are used, it is essential to perform a precise chemical resistance check.

Source:
 Werkstoff-Führer
 Kunststoff (Material
 Guide - Plastic)
 Hellerich/ Harsch/ Haenle
 6th edition
 Bayer Kunststoff

Principal used materials and properties of Bals CEE plugs and sockets

	Connection technology	Material of contact carrier	Material of contact	Material of enclosure	Material of cover rivet	Material of fastening screw	Material of contact screw
TLS plug	Screw terminal	PA6	Brass	PA6	-	Steel (blue, galvanised)	Steel (blue, galvanised)
Standard plug	Quick-Connect	PA6	Brass	PA6	-	-	-
TE plug	Screw terminal	PA6.6	Brass (nickel-plated)	PA6	-	Stainless steel A2	Brass (nickel-plated)
TE-Plus plug	Quick-Connect	PA6.6	Brass (nickel-plated)	PA6	-	Stainless steel A2	-
TLS connector	Screw terminal	PA6	Brass	PA6	Brass	Steel (blue, galvanised)	Steel (blue, galvanised)
Standard connector	Quick-Connect	PA6	Brass	PA6	Brass	-	-
TE connector	Screw terminal	PA6.6	Brass (nickel-plated)	PA6	Stainless steel A2	Stainless steel A2	Brass (nickel-plated)
TE-Plus connector	Quick-Connect	PA6.6	Brass (nickel-plated)	PA6	Stainless steel A2	Stainless steel A2	-
Surface Mounting Socket Outlet Standard	Quick-Connect	1)	2)	3)	Brass	4)	-
TE Surface Mounting Socket Outlet	Quick-Connect	PA6.6	Brass (nickel-plated)	3)	Stainless steel A2	Stainless steel A2	-
Panel Mounting Socket Outlet Standard	Quick-Connect	1)	2)	PA6	Brass	-	-
TE Panel Mounting Socket Outlet	Quick-Connect	PA6.6	Brass (nickel-plated)	PA6	Stainless steel A2	-	-
Inlets	Quick-Connect	1)	2)	PA6	-	-	-
TE inlet	Quick-Connect	PA6.6	Brass (nickel-plated)	PA6	-	-	-

1) 16 + 32A made of PA6
63A made of PA6.6

2) 16 + 32A made of brass
63A made of brass (nickel-plated)

3) 16 + 32A made of PA6
63A made of PC

4) 16 + 32A made of steel (blue, galvanised)
63A made of stainless steel A2

PA6 (polyamide) and PC (polycarbonate) are high-grade plastics that are predominantly used for plugs, sockets and combinations

PA6.6 (polyamide with glass-fibre content) is a high-grade plastic that is characterised in particular by its high heat resistance

The brass used has a copper content of at least 58%

Withdrawal forces for Multi-Grip cable gland system

Plug/connector	Cable ø	Torque		Pulling force as per EN 60309	Measured pulling force *
		min.	max.		
16A, 3 and 4-pole	8 mm	4 Nm	7 Nm	80 N	85 N (300 N)
16A, 3 and 4-pole	18 mm	4 Nm	7 Nm	80 N	200 N
16A, 3 and 4-pole	< 7 mm	4 Nm	7 Nm	With reducer (type 29129)	300 N
16A, 5-pole TLS and QC	8 mm	4 Nm	7 Nm	80 N	85 N
16A, 5-pole TLS and QC	18 mm	4 Nm	7 Nm	80 N	200 N
16A, 5-pole TE	10 mm	4 Nm	7 Nm	80 N	400 N
16A, 5-pole TE	21 mm	4 Nm	7 Nm	80 N	600 N
32A, 3 and 4-pole	11 mm	4.5 Nm	9 Nm	100 N	400 N
32A, 3 and 4-pole	23 mm	4.5 Nm	9 Nm	100 N	600 N
32A, 5-pole TLS and QC	11 mm	4.5 Nm	9 Nm	100 N	400 N
32A, 5-pole TLS and QC	23 mm	4.5 Nm	9 Nm	100 N	600 N
32A, 5-pole TE	13 mm	5 Nm	9.5 Nm	100 N	350 N
32A, 5-pole TE	27 mm	5 Nm	9.5 Nm	100 N	550 N
63A, 3 - 5-pole	24 mm	7.5 Nm	20 Nm	120 N	1900 N
63A, 3 - 5-pole	27 mm	7.5 Nm	20 Nm	120 N	2000 N
125A, 3 - 5-pole	36 mm	10 Nm	22 Nm	200 N	2700 N
125A, 3 - 5-pole	41 mm	10 Nm	22 Nm	200 N	2200 N

* Measured pulling force:
Room temperature 20°C, testing machine type TIRA tes 2710/1
Rubber of cable: H07RN-F

Non-binding guidance values.
Subject to technical changes.

Bals produces a complete series of plugs and sockets from 20A 3-wire to 100A 5-wire for countries with UL requirements.

This series contains both the standard range and switched/interlocked plugs and sockets.

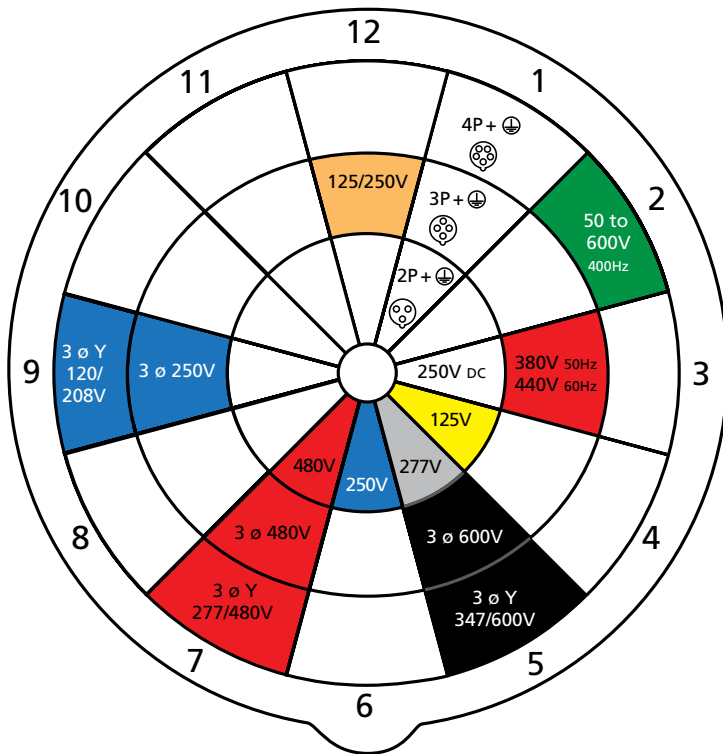
The entire range is certified to UL/CSA.

Our UL articles are not covered in detail in this catalogue.

Please contact us if you require information on these products.

Plugs and sockets

Developed for the markets in North America in accordance with IEC 60309-2 Series II and UL 1686 C2. For international positions of the earth conductor, see page 17 of this catalogue.



Rated currents:

Series II
Ampere
20A
30A
60A
100A

Identification of connection terminals:

X, Y, Z = Phases

W = Neutral conductor (white)

G = Protective conductor (green)

View of female contacts from front side of collar sockets

Poles	2h	3h	4h	5h	6h	7h	9h	12h
2P + ⊕								
3P + ⊕								
4P + ⊕								





Surface Mounting Socket Outlets

Surface Mounting Socket Outlets, IP44



Pages 28 - 29

Surface Mounting Socket Outlets, IP67



Pages 30 - 32

Surface Mounting Socket Outlets, Straight, IP44



Page 29

Surface Mounting Socket Outlets, Straight, IP67



Page 30

Surface Mounting Socket Outlets, Combined



Page 33

Surface Mounting Socket Outlets for Harsh or Aggressive Conditions



Pages 34 - 35

Surface Mounting Socket Outlets with "PSC" (Pilot Switch Contact)



Page 36


Surface Mounting Socket Outlets, Domestic



Page 37

Combined Surface Mounting Socket Outlets

Surface Mounting Socket Outlets, Fused



Pages 38 - 44

Surface Mounting Socket Outlets, Switched/interlocked



Pages 45 - 47

Surface Mounting Socket Outlets, Switched/Fused



Pages 48 - 49

Surface Mounting Socket Outlets, Switched/interlocked/Fused



Pages 50 - 51


Combined Surface Mounting Socket Outlets for Harsh and/or Aggressive Ambient Conditions

Surface Mounting Socket Outlets, Switched/Interlocked



Pages 52 - 53

Surface Mounting Socket Outlets, Switched/interlocked/Fused



Pages 54 - 55

Panel Mounting Socket Outlets

Panel Mounting Socket Outlets, Straight, IP44



Pages 56 - 58

Panel Mounting Socket Outlets, Angled, IP44



Pages 59 - 61

Panel Mounting Socket Outlets, Straight, IP67



Pages 62 - 64

Panel Mounting Socket Outlets, Angled, IP67



Pages 65 - 67

Panel Mounting Socket Outlets with Auxiliary Contact or PSC



Page 68 - 69

Panel Mounting Socket Outlets, Domestic



Page 69

Panel Mounting Socket Outlets for Harsh or Aggressive Conditions



Pages 70 - 71

Accessories for Sockets



Pages 72 - 73

Technical features



Screwless 63A Kontex contact

Kontex contact

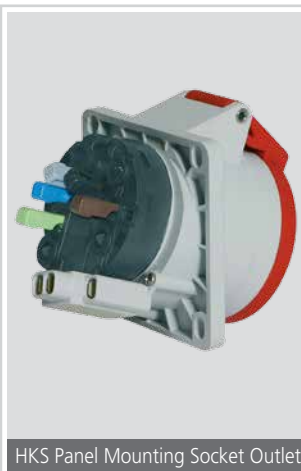
- Defined contacting at the sleeve opening by means of the finely adjustable stainless-steel spring with excellent outstanding insertion and withdrawal forces
- High self-cleaning effect when the plug pin is inserted and removed reduces the risk of soiling and therefore failure of the plug and socket
- Terminal accept all types of conductor without problem



Compact Surface Mounting Socket Outlet

Surface Mounting Socket Outlets Quick-Connect

- Cable entry from above
- Removable insert
- Quick-Connect terminals
- External fastening



HKS Panel Mounting Socket Outlet

HKS panel mounting sockets for elegant control, regulation, monitoring, checking

- Additional auxiliary contact switch (HKS) is actuated by the plug
- Available on CEE angled Panel Mounting Socket Outlets 16A and 32A as well as on Domestic sockets
- Electrical plug interlocking possible
- Potential-free switching
- Switching element, e.g. contactor, can be set separately



Quick-Connect terminals

Screwless Quick-Connect terminals 16A and 32A

- All Quick-Connect sockets are touch-safe
- No wire end ferrules necessary
- Pressing the contact slide with your finger closes the terminal
- Reliable and permanent connection by means of spring-clamp technology
- The damage-free conductor clamping guarantees an optimum connection over the entire service life
- Rewiring without additional handling of the conductor

SURFACE MOUNTING SOCKET OUTLETS

- With screwless Quick-Connect technology
- IEC 60309-1/2, EN 60309, VDE 0623
- Protection degree IP44

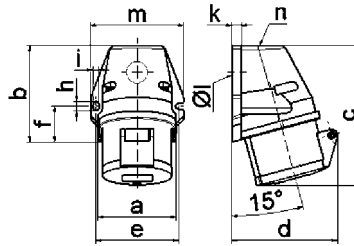
Surface Mounting Socket Outlet Quick-Connect

- Screwless terminals
- Kontex contact
- Cable entry 1x at top (open) and 1x at bottom (closed)
- Protection degree IP44

Ampere	Poles	110V 50-60 Hz			230V 50-60 Hz			400V 50-60 Hz			500V 50-60 Hz			100-300Hz > 50V			301-500Hz > 50V			Qty	each
		3pol	4pol	5pol	3pol	4pol	5pol	3pol	4pol	5pol	3pol	4pol	5pol	3pol	4pol	5pol	3pol	4pol	5pol		
16	3			11912			11895												10	170	
16	4						11910		11905		11914								10	200	
16	5								112001										10	220	
32	3			11918			11919												10	260	
32	4						11921		11922		11924								10	275	
32	5								112002										10	300	



Fig.: Type 112001



1 MB 19

Ampere Poles	16 3	16 4	16 5	32 3	32 4	32 5
a	59.5	72.4	72.4	79.1	79.1	79.1
b	90.0	90.0	90.0	92.0	92.0	92.0
c	130.0	130.0	131.0	142.0	142.0	142.0
d	85.0	96.0	98.0	103.0	103.0	106.0
e	62.0	77.0	77.0	84.0	84.0	84.0
f	33.5	33.5	33.5	30.0	30.0	30.0
h	9.0	9.0	9.0	9.0	9.0	9.0
i	5.5	5.5	5.5	5.5	5.5	5.5
k	8.0	9.0	9.0	9.0	9.0	9.0
l ø	21.0	21.0	21.0	21.0	21.0	21.0
m	72.0	87.0	87.0	94.0	94.0	94.0
n	M20	M25	M25	M25	M25	M25
Cond. mm² min	1.5	1.5	1.5	2.5	2.5	2.5
Cond. mm² max	4	4	4	10	10	10

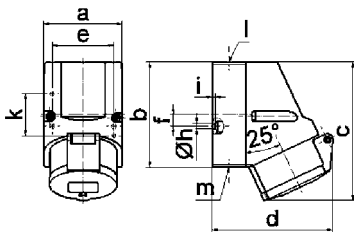
Surface Mounting Socket Outlet Quick-Connect

- Screwless terminals
- Kontex contact
- Cable entry 1x at top (open), 1x at bottom and 1x at rear (closed)
- Base rotatable by 180°
- Protection degree IP44

Ampere	Poles	110V 50-60 Hz			230V 50-60 Hz			400V 50-60 Hz			500V 50-60 Hz			100-300Hz > 50V			301-500Hz > 50V			Qty	each
		3pol	4pol	5pol	3pol	4pol	5pol	3pol	4pol	5pol	3pol	4pol	5pol	3pol	4pol	5pol					
16	3			11928			11930												10	185	
16	4								11907		11932		11933						10	240	
16	5								11906										10	260	



Fig.: Type 11906



1 MB 7

Ampere Poles	16 3	16 4	16 5
a	64.0	75.0	75.0
b	87.0	100.0	100.0
c	117.0	129.0	131.0
d	103.0	108.0	116.0
e	51.0	59.0	59.0
f	-	11.0	11.0
h ø	4.1	5.1	5.1
i	4.5	4.5	4.5
k	40.0	-	-
l	M20	M20	M20
m	for M20	for M20	for M20
Cond. mm² min	1.5	1.5	1.5
Cond. mm² max	4	4	4

Surface Mounting Socket Outlet Quick-Connect

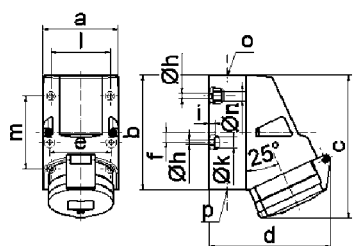
- Screwless terminals
- Kontex contact
- Cable entry 1x at top (open), 2x at bottom (closed)
- Base rotatable by 180°
- Suitable for feed-through wiring with special terminals
- Protection degree IP44

Twin terminal

Ampere	Poles	110V 50-60 Hz			230V 50-60 Hz			400V 50-60 Hz			500V 50-60 Hz			100-300Hz > 50V			301-500Hz > 50V			Qty	each
		3pol	4pol	5pol	3pol	4pol	5pol	3pol	4pol	5pol	3pol	4pol	5pol	3pol	4pol	5pol					
16	4								11944		11945								10	305	
16	5								11909		11947								10	325	
32	3			11948			11949												10	350	
32	4						11955		11956		11957		110073						10	365	
32	5			11960			110322		11962		11963								10	405	
16	5								110451										10	330	



Fig.: Type 11909



1 MB 2

Ampere Poles	16 4	16 5	32 3	32 4	32 5
a	83.0	83.0	83.0	83.0	83.0
b	126.0	126.0	126.0	126.0	126.0
c	153.0	155.0	155.0	155.0	155.0
d	127.0	130.0	130.0	130.0	136.0
e	68.0	68.0	68.0	68.0	68.0
f	11.0	11.0	11.0	11.0	11.0
h ø	5.5	5.5	5.5	5.5	5.5
i	6.5	6.5	6.5	6.5	6.5
k ø	12.0	12.0	12.0	12.0	12.0
l	65.0	65.0	65.0	65.0	65.0
m	80.0	80.0	80.0	80.0	80.0
n ø	10.0	10.0	10.0	10.0	10.0
o	M25	M25	M25	M25	M25
p	2x M25	2x M25	2x M25	2x M25	2x M25
Cond. mm² min	1.5	1.5	2.5	2.5	2.5
Cond. mm² max	4	4	10	10	10

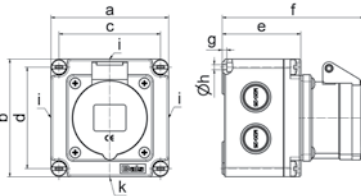
SURFACE MOUNTING SOCKET OUTLETS

- IEC 60309-1/2, EN 60309, VDE 0623
- Protection degree IP44

Surface Mounting Socket Outlet Quick-Connect, straight

- Screwless terminals
- Kontex contact
- Cable entry 7x M20/25
- With large wiring space
- Protection degree IP44

Ampere	Poles	110V 50-60 Hz	230V 50-60 Hz	400V 50-60 Hz	500V 50-60 Hz	100-300Hz > 50V	301-500Hz > 50V	Qty	each
		3pol 4pol 5pol 4h 4h 4h	3pol 4pol 5pol 6h 9h 9h	3pol 4pol 5pol 9h 6h 6h	3pol 4pol 5pol 7h 7h 7h	3pol 4pol 5pol 10h 10h 10h	3pol 4pol 5pol 2h 2h 2h		
16	3	110542	110541	110543				10	320
16	4	110545	110544	110546				10	335
16	5	110548	110547	110549				10	355
32	3	110551	110550	110552				10	380
32	4	110554	110553	110555				10	395
32	5	110557	110556	110558				10	435



1 MB 120

Ampere Poles	16 3	16 4	16 5	32 3	32 4	32 5
a	102.0	102.0	102.0	102.0	102.0	102.0
b	102.0	102.0	102.0	102.0	102.0	102.0
c	88.0	88.0	88.0	88.0	88.0	88.0
d	88.0	88.0	88.0	88.0	88.0	88.0
e	68.0	68.0	68.0	68.0	68.0	68.0
f	119.0	121.0	122.0	130.0	130.0	131.0
g	4.0	4.0	4.0	4.0	4.0	4.0
h ø	4.5	4.5	4.5	4.5	4.5	4.5
i	2xM20/25	2xM20/25	2xM20/25	2xM20/25	2xM20/25	2xM20/25
k	M20/25	M20/25	M20/25	M20/25	M20/25	M20/25
Cond. mm² min	1.5	1.5	1.5	2.5	2.5	2.5
Cond. mm² max	4	4	4	10	10	10

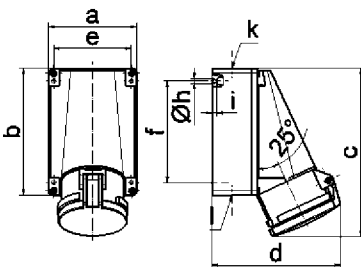
Fig.: Type 110558

Surface Mounting Socket Outlet Quick-Connect

- Cable entry 1x at top (open), 2x at bottom (closed)
- Base rotatable by 180°
- Nickel plated contacts
- Kontex contact
- Box terminals
- Protection degree IP44

Ampere	Poles	110V 50-60 Hz	230V 50-60 Hz	400V 50-60 Hz	500V 50-60 Hz	100-300Hz > 50V	301-500Hz > 50V	Qty	each
		3pol 4pol 5pol 4h 4h 4h	3pol 4pol 5pol 6h 9h 9h	3pol 4pol 5pol 9h 6h 6h	3pol 4pol 5pol 7h 7h 7h	3pol 4pol 5pol 10h 10h 10h	3pol 4pol 5pol 2h 2h 2h		
63	4			110415	110445			5	900
63	5			110383				5	945
Screw terminal:									
63	3	1106	1104	1107	11795	11345	11640	5	780
63	4	1125	1126	1127	1128	11221	11051	5	795
63	5	1129	1130	1124	11208	11429	1108	5	830

In the case of screw terminal Surface Mounting Socket Outlets with PILOT, please add -P to the end of the order number.



1 MB 4

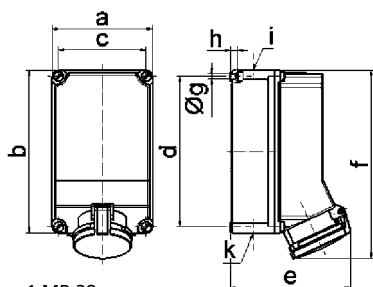
Ampere Poles	63 3	63 4	63 5
a	118.0	118.0	118.0
b	170.0	170.0	170.0
c	223.0	223.0	223.0
d	168.0	168.0	168.0
e	104.0	104.0	104.0
f	136.0	136.0	136.0
h ø	6.1	6.1	6.1
i	6.0	6.0	6.0
k	M40	M40	M40
l	M 32/32	M 32/32	M 32/32
Cond. mm² min	6	6	6
Cond. mm² max	25	25	25

Fig.: Type 1124

Surface Mounting Socket Outlet Quick-Connect TE

- Screwless terminals
- Kontex contact
- High-temperature-resistant contact carrier
- Nickel plated contacts
- Box terminals
- With large wiring space
- Protection degree IP44

Ampere	Poles	110V 50-60 Hz	230V 50-60 Hz	400V 50-60 Hz	500V 50-60 Hz	100-300Hz > 50V	301-500Hz > 50V	Qty	each
		3pol 4pol 5pol 4h 4h 4h	3pol 4pol 5pol 6h 9h 9h	3pol 4pol 5pol 9h 6h 6h	3pol 4pol 5pol 7h 7h 7h	3pol 4pol 5pol 10h 10h 10h	3pol 4pol 5pol 2h 2h 2h		
63	4			110486				1	1580
63	5			110487				1	1690



1 MB 28

Ampere Poles	63 4	63 5
a	160.0	160.0
b	260.0	260.0
c	140.0	140.0
d	240.0	240.0
e	184.0	184.0
f	302.0	302.0
g ø	8.1	8.1
h	10.0	10.0
i	M40	M40
k	M32/40	M32/40
Cond. mm² min	6	6
Cond. mm² max	25	25

Fig.: Type 110487

SURFACE MOUNTING SOCKET OUTLETS

- IEC 60309-1/2, EN 60309, VDE 0623
- Protection degree IP67

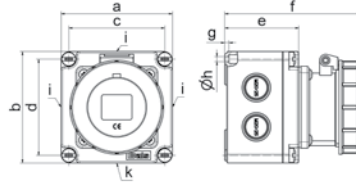
Surface Mounting Socket Outlet Quick-Connect, straight

- Screwless terminals
- Kontex contact
- Cable entry 7x M20/25
- With large wiring space
- Protection degree IP67

Ampere	Poles	110V 50-60 Hz	230V 50-60 Hz	400V 50-60 Hz	500V 50-60 Hz	100-300Hz > 50V	301-500Hz > 50V	Qty	g each
		3pol 4pol 5pol 4h 4h 4h	3pol 4pol 5pol 6h 9h 9h	3pol 4pol 5pol 9h 6h 6h	3pol 4pol 5pol 7h 7h 7h	3pol 4pol 5pol 10h 10h 10h	3pol 4pol 5pol 2h 2h 2h		
16	3	110560	110559	110561				10	340
16	4	110563	110564	110562				10	355
16	5	110566	110567	110565				10	375
32	3	110569	110568	110570				10	415
32	4	110572	110571	110573				10	435
32	5	110575	110574	110576				10	470



Fig.: Type 110576



1 MB 121

Ampere Poles	16 3	16 4	16 5	32 3	32 4	32 5
a	102.0	102.0	102.0	102.0	102.0	102.0
b	102.0	102.0	102.0	102.0	102.0	102.0
c	88.0	88.0	88.0	88.0	88.0	88.0
d	88.0	88.0	88.0	88.0	88.0	88.0
e	68.0	68.0	68.0	68.0	68.0	68.0
f	124.0	125.0	124.0	134.0	134.0	134.0
g	4.0	4.0	4.0	4.0	4.0	4.0
h ø	4.5	4.5	4.5	4.5	4.5	4.5
i	2xM20/25	2xM20/25	2xM20/25	2xM20/25	2xM20/25	2xM20/25
k	M20/25	M20/25	M20/25	M20/25	M20/25	M20/25
Cond. mm² min	1.5	1.5	1.5	2.5	2.5	2.5
Cond. mm² max	4	4	4	10	10	10

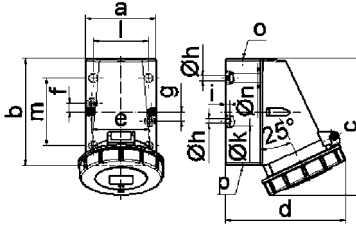
Surface Mounting Socket Outlet Quick-Connect

- Screw terminals
- Cable entry 1x at top (open), with 16A 1x and with 32A 2x at bottom (closed)
- Base rotatable by 180°
- Protection degree IP67

Ampere	Poles	110V 50-60 Hz	230V 50-60 Hz	400V 50-60 Hz	500V 50-60 Hz	100-300Hz > 50V	301-500Hz > 50V	Qty	g each
		3pol 4pol 5pol 4h 4h 4h	3pol 4pol 5pol 6h 9h 9h	3pol 4pol 5pol 9h 6h 6h	3pol 4pol 5pol 7h 7h 7h	3pol 4pol 5pol 10h 10h 10h	3pol 4pol 5pol 2h 2h 2h		
16	3	1132	1133	1134	11320	11350	11027	10	210
16	4	1135	1136	1137	1138	1139	1140	10	265
16	5	1141	1142	1143	11343	11390	11342	10	300
32	3	1144	1145	1146				10	395
32	4	1147	1148	1149	1150	1151	1152	10	415
32	5	1153	1154	1155	11326	11432	11025	10	450



Fig.: Type 1155



1 MB 13

Ampere Poles	16 3	16 4	16 5	32 3	32 4	32 5
a	64.0	75.0	75.0	83.0	83.0	83.0
b	87.0	100.0	100.0	126.0	126.0	126.0
c	115.0	130.0	130.0	160.0	160.0	160.0
d	103.0	110.0	115.0	129.0	129.0	135.0
e	51.0	59.0	59.0	68.0	68.0	68.0
f	20.0	11.0	11.0	11.0	11.0	11.0
g	20.0	-	-	-	-	-
h ø	4.1	5.1	5.1	5.5	5.5	5.5
i	4.5	4.5	4.5	6.5	6.5	6.5
k ø	8.0	10.0	10.0	12.0	12.0	12.0
l	-	-	-	65.0	65.0	65.0
m	-	-	-	80.0	80.0	80.0
n ø	-	-	-	10.0	10.0	10.0
o	M20	M20	M20	M25	M25	M25
p	for M20	für M20	for M20	2x M25	2x M25	2x M25
Cond. mm² min	1.5	1.5	1.5	2.5	2.5	2.5
Cond. mm² max	4	4	4	10	10	10

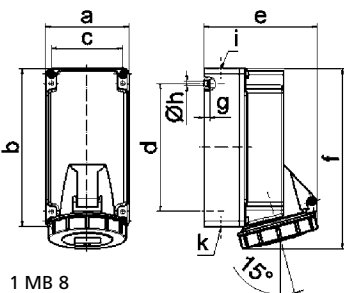
Surface Mounting Socket Outlet Quick-Connect TE

- Screwless terminals
- Kontex contact
- High-temperature-resistant contact carrier
- Nickel plated contacts
- With large wiring space
- Protection degree IP67

Ampere	Poles	110V 50-60 Hz	230V 50-60 Hz	400V 50-60 Hz	500V 50-60 Hz	100-300Hz > 50V	301-500Hz > 50V	Qty	g each
		3pol 4pol 5pol 4h 4h 4h	3pol 4pol 5pol 6h 9h 9h	3pol 4pol 5pol 9h 6h 6h	3pol 4pol 5pol 7h 7h 7h	3pol 4pol 5pol 10h 10h 10h	3pol 4pol 5pol 2h 2h 2h		
16	3	11579	11492			110436		1	430
16	4		11630	11493	11155			1	450
16	5	11566		110094		110435		1	480



Fig.: Type 110094



1 MB 8

Ampere Poles	16 3	16 4	16 5
a	90.0	90.0	90.0
b	170.0	170.0	170.0
c	77.0	77.0	77.0
d	137.5	137.5	137.5
e	108.0	115.0	122.0
f	191.5	191.5	195.0
g	6.5	6.5	6.5
h ø	5.5	5.5	5.5
i	M20	M20	M20
k	M20/25	M20/25	M20/25
Cond. mm² min	1.5	1.5	1.5
Cond. mm² max	4	4	4

SURFACE MOUNTING SOCKET OUTLETS

- IEC 60309-1/2, EN 60309, VDE 0623
- Protection degree IP67

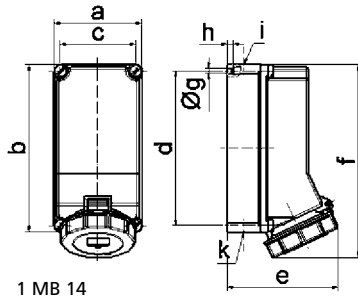
Surface Mounting Socket Outlet Quick-Connect TE

- Screwless terminals
- Kontex contact
- High-temperature-resistant contact carrier
- Nickel plated contacts
- With large wiring space
- Protection degree IP67

		110V 50-60 Hz	230V 50-60 Hz	400V 50-60 Hz	500V 50-60 Hz	100-300Hz > 50V	301-500Hz > 50V	Qty	g
2P+E Ampere	3P+E Poles	3pol 4pol 5pol 4h 4h 4h	3pol 4pol 5pol 6h 9h 9h	3pol 4pol 5pol 9h 6h 6h	3pol 4pol 5pol 7h 7h 7h	3pol 4pol 5pol 10h 10h 10h	3pol 4pol 5pol 2h 2h 2h		each
32	3	11580	11496	11879				1	825
32	4		11555	11461	11156			1	830
32	5			110075				1	850



Fig.: Type 110075



1 MB 14

Ampere	32	32	32						
Poles	3	4	5						
a	118.0	118.0	118.0						
b	225.0	225.0	225.0						
c	101.0	101.0	101.0						
d	208.0	208.0	208.0						
e	143.0	143.0	149.0						
f	255.0	255.0	255.0						
g ø	6.5	6.5	6.5						
h	8.0	8.0	8.0						
i	2xM25	2xM25	2xM25						
k	2xM25	2xM25	2xM25						
Cond. mm² min	2.5	2.5	2.5						
Cond. mm² max	10	10	10						

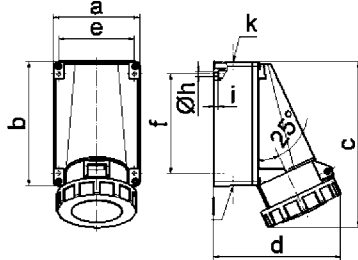
Surface Mounting Socket Outlet

- Cable entry 1x at top (open), 1x at bottom (closed)
- Nickel plated contacts
- Base rotatable by 180°
- Kontex contact
- Box terminals
- Protection degree IP67

		110V 50-60 Hz	230V 50-60 Hz	400V 50-60 Hz	500V 50-60 Hz	100-300Hz > 50V	301-500Hz > 50V	Qty	g
2P+E Ampere	3P+N+E Poles	3pol 4pol 5pol 4h 4h 4h	3pol 4pol 5pol 6h 9h 9h	3pol 4pol 5pol 9h 6h 6h	3pol 4pol 5pol 7h 7h 7h	3pol 4pol 5pol 10h 10h 10h	3pol 4pol 5pol 2h 2h 2h		each
63	4			110416	110446			5	960
63	5			110413				5	1005
Screw terminal:									
63	3	1156	1157	1158			11748	5	800
63	4	1159	1160	1161	1162	11433	11341	5	840
63	5	1163	1164	1112	11017	11368	11126	5	875



Fig.: Type 1112



1 MB 3

Ampere	63	63	63						
Poles	3	4	5						
a	118.0	118.0	118.0						
b	170.0	170.0	170.0						
c	228.0	228.0	228.0						
d	176.0	176.0	176.0						
e	104.0	104.0	104.0						
f	136.0	136.0	136.0						
h ø	6.1	6.1	6.1						
i	6.0	6.0	6.0						
k	M40	M40	M40						
l	M32/32	M32/32	M32/32						
Cond. mm² min	6	6	6						
Cond. mm² max	25	25	25						

In the case of screw terminal Surface Mounting Socket Outlets with PILOT, please add -P to the end of the order number.

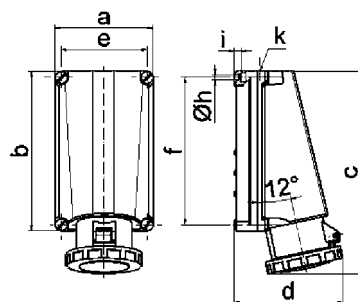
Surface Mounting Socket Outlet

- Screw terminals
- Cable entry 1x M50 at top
- High-temperature-resistant contact carrier
- Kontex contact
- Nickel plated contacts
- Box terminals
- Protection degree IP67

		110V 50-60 Hz	230V 50-60 Hz	400V 50-60 Hz	500V 50-60 Hz	100-300Hz > 50V	301-500Hz > 50V	Qty	g
2P+E Ampere	3P+N+E Poles	3pol 4pol 5pol 4h 4h 4h	3pol 4pol 5pol 6h 9h 9h	3pol 4pol 5pol 9h 6h 6h	3pol 4pol 5pol 7h 7h 7h	3pol 4pol 5pol 10h 10h 10h	3pol 4pol 5pol 2h 2h 2h		each
125	3	11436	11437	11438	110452			1	1535
125	4	11439	11440	11441	11442	11443	11444	1	1965
125	5	11445	11446	11447			110468	1	2085



Fig.: Type 11447



1 MB 20

Ampere	125	125	125						
Poles	3	4	5						
a	160.0	160.0	160.0						
b	260.0	260.0	260.0						
c	330.0	330.0	330.0						
d	168.0	168.0	168.0						
e	140.0	140.0	140.0						
f	240.0	240.0	240.0						
h ø	8.3	8.3	8.3						
i	10.0	10.0	10.0						
k	M50	M50	M50						
Cond. mm² min	25	25	25						
Cond. mm² max	70	70	70						

In the case of screw terminal Surface Mounting Socket Outlets with PILOT, please add -P to the end of the order number.

SURFACE MOUNTING SOCKET OUTLETS

- IEC 60309-1/2, EN 60309, VDE 0623
- Protection degree IP67

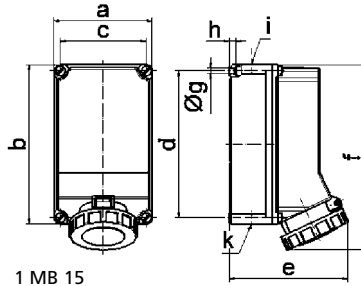
Surface Mounting Socket Outlet Quick-Connect

- Screwless terminals
- Kontex contact
- High-temperature-resistant contact carrier
- Nickel plated contacts
- Box terminals
- With large wiring space
- Protection degree IP67

110V 50-60 Hz		230V 50-60 Hz		400V 50-60 Hz		500V 50-60 Hz		100-300Hz > 50V		301-500Hz > 50V		Qty	g	
2P+E Ampere	3P+E Poles	3pol 4h	4pol 4h	3pol 6h	4pol 9h	3pol 9h	4pol 6h	3pol 7h	4pol 7h	5pol 10h	3pol 2h	4pol 2h	5pol 2h	each
63	4												1	1620
63	5												1	1730
110488														
110489														



Fig.: Type 110489



1 MB 15

Ampere	63	63												
Poles	4	5												
a	160.0	160.0												
b	260.0	260.0												
c	140.0	140.0												
d	240.0	240.0												
e	195.0	195.0												
f	304.0	304.0												
g ø	8.1	8.1												
h	10.0	10.0												
i	M40	M40												
k	M32/40	M32/40												
Cond. mm² min	6	6												
Cond. mm² max	25	25												

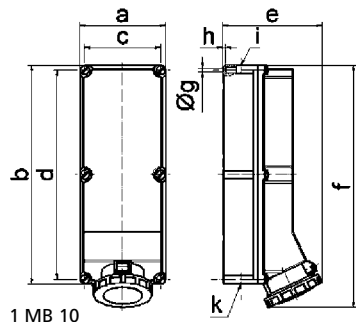
Surface Mounting Socket Outlet

- Screw terminals
- Kontex contact
- High-temperature-resistant contact carrier
- Nickel plated contacts
- Box terminals
- With large wiring space
- Protection degree IP67

110V 50-60 Hz		230V 50-60 Hz		400V 50-60 Hz		500V 50-60 Hz		100-300Hz > 50V		301-500Hz > 50V		Qty	g	
2P+E Ampere	3P+E Poles	3pol 4h	4pol 4h	3pol 6h	4pol 9h	3pol 9h	4pol 6h	3pol 7h	4pol 7h	5pol 10h	3pol 2h	4pol 2h	5pol 2h	each
125	3													1
125	4													1
125	5													1
11476														
11477														
11478														
11479														



Fig.: Type 11479



1 MB 10

Ampere	125	125	125											
Poles	3	4	5											
a	180.0	180.0	180.0											
b	460.0	460.0	460.0											
c	160.0	160.0	160.0											
d	440.0	440.0	440.0											
e	208.0	208.0	208.0											
f	510.0	510.0	510.0											
g ø	8.3	8.3	8.3											
h	6.5	6.5	6.5											
i	M40	M40	M40											
k	M40/50	M40/50	M40/50											
Cond. mm² min	25	25	25											
Cond. mm² max	70	70	70											

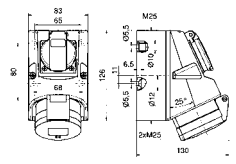
TK-COMBI SOCKETS

- IEC 60309, EN 60309, VDE 0623
- Protection degree IP44

TK-Combi Socket Quick-Connect

- Screwless terminals
- With terminals, with wiring (ready wired for installation)
- 109-QC with fuse base 5 x 20 mm
- With integrated domestic socket 16A/230V ~ (system F - German earthing System)
- Protection degree IP44

Accessories: see page 73



230V 50-60 Hz		400V 50-60 Hz		9 Stück	
2P+E Ampere	3P+E Polzahl	4pol 5pol 9h 9h	4pol 5pol 6h 6h	Stück	Stück

16	5	109-QC		10	
----	---	---------------	--	----	--

16	5	1010-QC		10	
----	---	----------------	--	----	--

Fig.: Type 1010

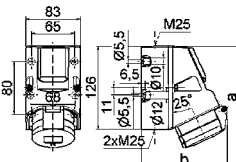
1 MB 122

TK-Combi Socket

- With terminals, without wiring
- With integrated domestic socket 16A/230V ~ (system F - German earthing System)
- Protection degree IP44

¹⁾ In the case of wiring using only one supply cable, use fuse base type 1862

Accessories: see page 73



230V 50-60 Hz		400V 50-60 Hz		9 Stück	
2P+E Ampere	3P+E Polzahl	4pol 5pol 9h 9h	4pol 5pol 6h 6h	Stück	Stück

16	4	1012		10	400
----	---	-------------	--	----	-----

16	5	107		10	410
----	---	------------	--	----	-----

32 ¹⁾	5	108		10	465
------------------	---	------------	--	----	-----

16A		32A	
4p	5p	4p	5p
a	154	155	156
b	127	130	130

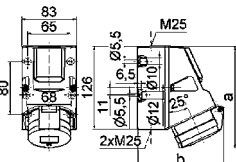
Fig.: Type 108

1 MB 17

TK-Combi Socket

- With terminals, with wiring (ready wired for installation)
- With integrated domestic socket 16A/230V ~ (system F - German earthing System)
- Protection degree IP44

Accessories: see page 73



230V 50-60 Hz		400V 50-60 Hz		9 Stück	
2P+E Ampere	3P+E Polzahl	4pol 5pol 9h 9h	4pol 5pol 6h 6h	Stück	Stück

16	4	1013		10	420
----	---	-------------	--	----	-----

16	5			10	460
----	---	--	--	----	-----

16A		32A	
4p	5p	4p	5p
a	154	155	156
b	127	130	130

Fig.: Type 1010

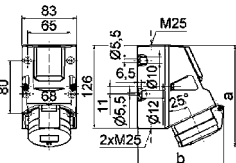
1 MB 17

TK-Combi Socket

- With terminals, with wiring (ready wired for installation)
- With fuse base 5 x 20 mm DIN 41671
- With integrated domestic socket 16A/230V ~ (system F - German earthing System)
- Protection degree IP44

²⁾ 2x fuse bases

Accessories: see page 73



230V 50-60 Hz		400V 50-60 Hz		9 Stück	
2P+E Ampere	3P+E Polzahl	4pol 5pol 9h 9h	4pol 5pol 6h 6h	Stück	Stück

16	5	109		10	500
----	---	------------	--	----	-----

32 ²⁾	4	1020		10	515
------------------	---	-------------	--	----	-----

32	5	1011		10	510
----	---	-------------	--	----	-----

16A		32A	
4p	5p	4p	5p
a	154	155	156
b	127	130	130

Fig.: Type 1011

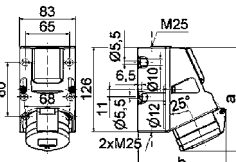
1 MB 17

TK-Combi Socket

- Belgian/French system
- With terminals, with wiring (ready wired for installation)
- With fuse base 5 x 20 mm DIN 41671
- With integrated domestic socket 16A/230V ~ (system F - German earthing System)
- Protection degree IP44

²⁾ 2x fuse bases

Accessories: see page 73



230V 50-60 Hz		400V 50-60 Hz		9 Stück	
2P+E Ampere	3P+E Polzahl	4pol 5pol 9h 9h	4pol 5pol 6h 6h	Stück	Stück

16 ²⁾	4	1017		10	450
------------------	---	-------------	--	----	-----

16	5	1015		10	500
----	---	-------------	--	----	-----

32 ²⁾	4	1019		10	515
------------------	---	-------------	--	----	-----

32	5	1018		10	510
----	---	-------------	--	----	-----

16A		32A	
4p	5p	4p	5p
a	154	155	156
b	127	130	130

Fig.: Type 1018

1 MB 17

SURFACE MOUNTING SOCKET OUTLETS

- Particularly suitable for harsh operating conditions, especially resistant to aggressive atmospheres
- IEC 60309, EN 60309, VDE 0623
- Protection degree IP44

Surface Mounting Socket Outlet Quick-Connect TE

Screwless terminals

- Kontex contact
- For loopthrough
- High-temperature-resistant contact carrier
- Nickel plated contacts
- Protection degree IP44



Fig.: Type 11990

Dimension drawing: see page 28/3 (1 MB 2)

2P+E Ampere	3P+E Poles	230V 50-60 Hz			400V 50-60 Hz			500V 50-60 Hz			Qty	g each
		3pol 6h	4pol 9h	5pol 9h	3pol 9h	4pol 6h	5pol 6h	3pol 7h	4pol 7h	5pol 7h		
16	4			11538			11485			11968	10	320
16	5			11972			11487			11973	10	330
32	3			11977			11978			11979	10	360
32	4			11983			11984			11985	10	380
32	5			11989			11990			11991	10	420

Surface Mounting Socket Outlet TE

- Screw terminals
- High-temperature-resistant contact carrier
- Kontex contact and box terminals
- Nickel plated contacts
- Protection degree IP44



Fig.: Type 11799

Dimension drawing: see page 29/2 (1 MB 4)

2P+E Ampere	3P+E Poles	230V 50-60 Hz			400V 50-60 Hz			500V 50-60 Hz			Qty	g each
		3pol 6h	4pol 9h	5pol 9h	3pol 9h	4pol 6h	5pol 6h	3pol 7h	4pol 7h	5pol 7h		
63	3			11796							5	825
63	4						11797		11798		5	885
63	5						11799				5	900

Products with PILOT please add "P" to the ref.no.

Surface Mounting Socket Outlet Quick-Connect TE

Screwless terminals

- Kontex contact
- For loopthrough
- High-temperature-resistant contact carrier
- Nickel plated contacts
- Protection degree IP44



Fig.: Type 11451

2P+E Ampere	3P+E Poles	230V 50-60 Hz			400V 50-60 Hz			500V 50-60 Hz			Qty	g each
		3pol 6h	4pol 9h	5pol 9h	3pol 9h	4pol 6h	5pol 6h	3pol 7h	4pol 7h	5pol 7h		
16	3			11448							1	410
16	4			11995			11449		110018		1	430
16	5						11451				1	450

Surface Mounting Socket Outlet Quick-Connect TE

Screwless terminals

- Kontex contact
- For loopthrough
- High-temperature-resistant contact carrier
- Nickel plated contacts
- Protection degree IP44



Fig.: Type 110000

2P+E Ampere	3P+E Poles	230V 50-60 Hz			400V 50-60 Hz			500V 50-60 Hz			Qty	g each
		3pol 6h	4pol 9h	5pol 9h	3pol 9h	4pol 6h	5pol 6h	3pol 7h	4pol 7h	5pol 7h		
16	5						110098				1	650
32	3			11997							1	755
32	4			11998			11999		110019		1	770
32	5						110000				1	785

Surface Mounting Socket Outlet TE

- Screw terminals
- For loopthrough
- High-temperature-resistant contact carrier
- Kontex contact and box terminals
- Nickel plated contacts
- Protection degree IP44



Fig.: Type 11803

Dimension drawing: see page 29/3 (1 MB 28)

2P+E Ampere	3P+E Poles	230V 50-60 Hz			400V 50-60 Hz			500V 50-60 Hz			Qty	g each
		3pol 6h	4pol 9h	5pol 9h	3pol 9h	4pol 6h	5pol 6h	3pol 7h	4pol 7h	5pol 7h		
63	3			11800							1	1600
63	4						11801		11802		1	1610
63	5						11803				1	1720

Products with PILOT please add "P" to the ref.no.

SURFACE MOUNTING SOCKET OUTLETS

- Particularly suitable for harsh operating conditions, especially resistant to aggressive atmospheres
- IEC 60309, EN 60309, VDE 0623
- Protection degree IP67

Surface Mounting Socket Outlet Quick-Connect TE

- Screwless terminals
- Kontex contact
- For loophthrough
- High-temperature-resistant contact carrier
- Nickel plated contacts
- Protection degree IP67

Dimension drawing: see page 30/3 (1 MB 8)



Fig.: Type 11455

2P+E Ampere	3P+E Poles	3P+N+E Poles	230V 50-60 Hz			400V 50-60 Hz			500V 50-60 Hz			Qty	each
			3pol 6h	4pol 9h	5pol 9h	3pol 9h	4pol 6h	5pol 6h	3pol 7h	4pol 7h	5pol 7h		
16	3		11452			110387			110388			1	430
16	4		11790			11453			110020			1	450
16	5		11455			11455			11455			1	480

Surface Mounting Socket Outlet Quick-Connect TE

- Screwless terminals
- Kontex contact
- For loophthrough
- High-temperature-resistant contact carrier
- Nickel plated contacts
- Protection degree IP67

Dimension drawing: see page 31/1 (1 MB 14)



Fig.: Type 110017

2P+E Ampere	3P+E Poles	3P+N+E Poles	230V 50-60 Hz			400V 50-60 Hz			500V 50-60 Hz			Qty	each
			3pol 6h	4pol 9h	5pol 9h	3pol 9h	4pol 6h	5pol 6h	3pol 7h	4pol 7h	5pol 7h		
32	3		110014			110015			110016			1	825
32	4		110014			110015			110016			1	845
32	5		110014			110015			110016			1	860

Surface Mounting Socket Outlet TE

- Screw terminals
- High-temperature-resistant contact carrier
- Kontex contact and box terminals
- Nickel plated contacts
- Protection degree IP67

Dimension drawing: see page 31/2 (1 MB 3)



Fig.: Type 11825

2P+E Ampere	3P+E Poles	3P+N+E Poles	230V 50-60 Hz			400V 50-60 Hz			500V 50-60 Hz			Qty	each
			3pol 6h	4pol 9h	5pol 9h	3pol 9h	4pol 6h	5pol 6h	3pol 7h	4pol 7h	5pol 7h		
63	3		11822			11823			11824			5	900
63	4		11822			11823			11824			5	920
63	5		11822			11823			11824			5	950

Products with PILOT please add "P" to the ref.no.

Surface Mounting Socket Outlet TE

- Screw terminals
- For loophthrough
- High-temperature-resistant contact carrier
- Kontex contact and box terminals
- Nickel plated contacts
- Protection degree IP67

Dimension drawing: see page 32/1 (1 MB 15)



Fig.: Type 11829

2P+E Ampere	3P+E Poles	3P+N+E Poles	230V 50-60 Hz			400V 50-60 Hz			500V 50-60 Hz			Qty	each
			3pol 6h	4pol 9h	5pol 9h	3pol 9h	4pol 6h	5pol 6h	3pol 7h	4pol 7h	5pol 7h		
63	3		11826			11827			11828			1	1610
63	4		11826			11827			11828			1	1620
63	5		11826			11827			11828			1	1640

Products with PILOT please add "P" to the ref.no.

Surface Mounting Socket Outlet TE

- Screw terminals
- High-temperature-resistant contact carrier
- Kontex contact and box terminals
- Nickel plated contacts
- Protection degree IP67

Dimension drawing: see page 32/2 (1 MB 10)



Fig.: Type 11815

2P+E Ampere	3P+E Poles	3P+N+E Poles	230V 50-60 Hz			400V 50-60 Hz			500V 50-60 Hz			Qty	each
			3pol 6h	4pol 9h	5pol 9h	3pol 9h	4pol 6h	5pol 6h	3pol 7h	4pol 7h	5pol 7h		
125	3		11812			11813			11814			1	2850
125	4		11812			11813			11814			1	2900
125	5		11812			11813			11814			1	3195

Products with PILOT please add "P" to the ref.no.

SURFACE MOUNTING SOCKET OUTLETS WITH PSC INTERLOCKING

- With electrical PSC interlocking
- IEC 60309, EN 60309, VDE 0623
- Protection degree IP44, IP67

Surface Mounting Socket Outlet

- With electrical PSC interlocking and additionally M20 at top
- High-temperature-resistant contact carrier
- Kontex contact
- Box terminals
- Protection degree IP44

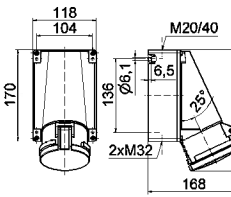


Fig.: Type 11787

1 MB 36

Amperes	Poles	400V 50-60 Hz		500V 50-60 Hz		Qty	each
		4pol 6h	5pol 6h	4pol 7h	5pol 7h		
63	4	11785				5	860
63	5	11787				5	900

Surface Mounting Socket Outlet

- With electrical PSC interlocking,
- Contactor and additionally M20 at top
- High-temperature-resistant contact carrier
- Nickel plated contacts
- Kontex contact
- Box terminals
- Protection degree IP44

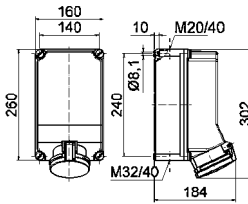


Fig.: Type 16873

1 MB 38

Amperes	Poles	400V 50-60 Hz		500V 50-60 Hz		Qty	each
		4pol 6h	5pol 6h	4pol 7h	5pol 7h		
63	4	16871		16872		1	
63	5	16873				1	

Other brands of contactors on request.

Surface Mounting Socket Outlet

- With electrical PSC interlocking and additionally M20 at top
- High-temperature-resistant contact carrier
- Nickel plated contacts
- Kontex contact
- Box terminals
- Protection degree IP67

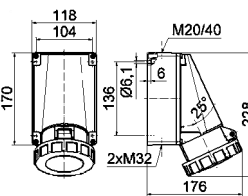


Fig.: Type 11038

1 MB 31

Amperes	Poles	400V 50-60 Hz		500V 50-60 Hz		Qty	each
		4pol 6h	5pol 6h	4pol 7h	5pol 7h		
63	4	11052				5	875
63	5	11038				5	955

Surface Mounting Socket Outlet

- With electrical PSC interlock,
- Contactor and additionally M20 at top
- High-temperature-resistant contact carrier
- Nickel plated contacts
- Kontex contact
- Box terminals
- Protection degree IP67

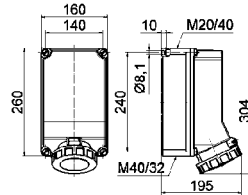


Fig.: Type 16072

1 MB 32

Amperes	Poles	400V 50-60 Hz		500V 50-60 Hz		Qty	each
		4pol 6h	5pol 6h	4pol 7h	5pol 7h		
63	4	16070		16071		1	
63	5	16072				1	2915

Other brands of contactors on request.

Surface Mounting Socket Outlet

- With electrical PSC interlocking and contactor
- High-temperature-resistant contact carrier
- Nickel plated contacts
- Kontex contact
- Box terminals
- Protection degree IP67

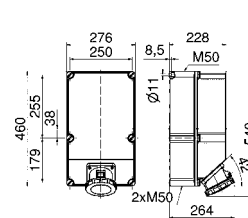


Fig.: Type 1676

30 MB 104

Amperes	Poles	400V 50-60 Hz		500V 50-60 Hz		Qty	each
		4pol 6h	5pol 6h	4pol 7h	5pol 7h		
125	4	1674		1675		1	9100
125	5	1676				1	

Other brands of contactors on request.

SURFACE MOUNTING SOCKET OUTLET DOMESTIC

- IEC 60309, EN 60309, VDE 0623
- Protection degree IP44

Surface Mounting Socket Outlet

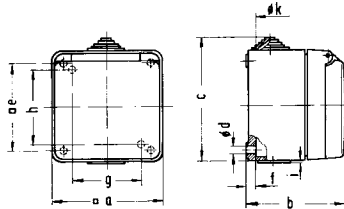
- Straight insertion direction
- Cable entry 1x at top (open),
1x at bottom (closed)
- Protection degree IP44

Matching angled plug: see page 80/3

Ampere	Poles	110V 50-60 Hz			230V 50-60 Hz			400V 50-60 Hz			500V 50-60 Hz			Qty	g each
		3pol 4h	4pol 4h	5pol 4h	3pol 6h	4pol 9h	5pol 9h	3pol 9h	4pol 6h	5pol 6h	3pol 7h	4pol 7h	5pol 7h		
16	3	11554			1183			1184						10	235
16	5				1185			1186			11389			10	270
32	5							11190-BE						5	400



Fig.: Type 1186



4 MB 16

Ampere	16	16	32			
Poles	3	5	5			
a Δ	91.0	91.0	90.0			
b	79.5	79.5	93.0			
c	100.0	100.0	112.5			
d ø	5.5	5.5	5.5			
e Δ	73.0	73.0	-			
f	7.0	7.0	6.0			
g	-	-	58.0			
h ø	-	-	73.0			
i	-	-	1.5			
k ø	20.0 max.	20.0 max.	8.0/20.0			

SURFACE MOUNTING SOCKET OUTLETS, fused

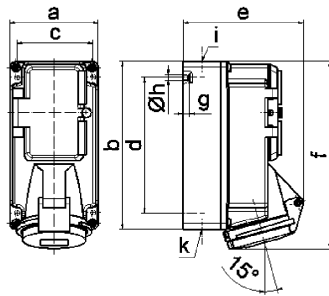
- IEC 60309-1/2, EN 60309, VDE 0623
- Enclosure, window and socket insert made of high-grade plastic
- Protection degree IP44, IP67

Surface Mounting Socket Outlet

- With Din rail
- 5 modules
- Nickel plated contacts
- Protection degree IP44



Fig.: Type 15059



14 MB 3

Ampere Poles	16 3	16 4	16 5
a	90.0	90.0	90.0
b	170.0	170.0	170.0
c	77.0	77.0	77.0
d	137.5	137.5	137.5
e	118.0	114.0	121.0
f	188.5	188.5	190.0
g	6.0	6.0	6.0
h ø	5.5	5.5	5.5
i	M20	M20	M20
k	M20/25	M20/25	M20/25

Protection:

- Without fuse protection

Configuration	110V 50-60 Hz	230V 50-60 Hz	400V 50-60 Hz	500V 50-60 Hz	100-300Hz >50V	301-500Hz >50V	Qty	g each
16 3	15239	15019					1	505
16 4		15095	156				1	520
16 5		15096	15059				1	545

- With 1 or 3-pole fuse base D01



16 3	15382	1500					1	
16 4		1529	158				1	
16 5		1530	159				1	

- With 1 or 3-pole C-type MCB



16 3	15384	1504					1	
16 4		1533	1505				1	
16 5		1534	1506				1	890

- With RCCB 25/0.03A, 2-pole with 16A 3p; 40/0.03A, 4-pole with 16A 4/5p



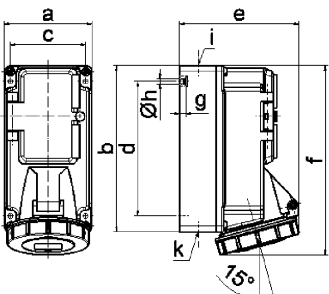
16 3	15386	15101					1	705
16 4		15102	15103				1	
16 5		15104	15105				1	810

Surface Mounting Socket Outlet

- With Din rail
- 5 modules
- Nickel plated contacts
- Protection degree IP67



Fig.: Type 15100



14 MB 6

Ampere Poles	16 3	16 4	16 5
a	90.0	90.0	90.0
b	170.0	170.0	170.0
c	77.0	77.0	77.0
d	137.5	137.5	137.5
e	108.0	115.0	121.0
f	191.5	191.5	191.5
g	6.0	6.0	6.0
h ø	5.5	5.5	5.5
i	M20	M20	M20
k	M20/25	M20/25	M20/25

Protection:

- Without fuse protection

Configuration	110V 50-60 Hz	230V 50-60 Hz	400V 50-60 Hz	500V 50-60 Hz	100-300Hz >50V	301-500Hz >50V	Qty	g each
16 3	15240	15024					1	515
16 4		15097	15098				1	
16 5		15099	15100				1	580

- With 1 or 3-pole fuse base D01



16 3	15383	1501					1	
16 4		1531	1502				1	
16 5		1532	1503				1	

- With 1 or 3-pole C-type MCB



16 3	15385	1507					1	
16 4		1535	1508				1	
16 5		1536	1509				1	

- With RCCB 25/0.03A, 2-pole with 16A 3p; 40/0.03A, 4-pole with 16A 4/5p



16 3	15387	15106					1	725
16 4		15107	15108				1	
16 5		15109	15110				1	835

SURFACE MOUNTING SOCKET OUTLETS, fused

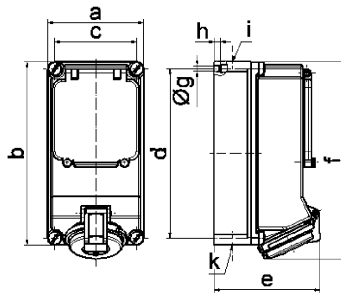
- IEC 60309-1/2, EN 60309, VDE 0623
- Enclosure, window and socket insert made of high-grade plastic
- Protection degree IP44

Surface Mounting Socket Outlet

- With Din rail
- 5 modules
- Nickel plated contacts
- Protection degree IP44



Fig.: Type 1585



14 MB 13

Ampere Poles	16 4	16 5	32 3	32 4	32 5
a	118.0	118.0	118.0	118.0	118.0
b	225.0	225.0	225.0	225.0	225.0
c	101.0	101.0	101.0	101.0	101.0
d	208.0	208.0	208.0	208.0	208.0
e	123.0	130.0	134.0	134.0	141.0
f	242.0	242.0	250.0	250.0	250.0
g	6.5	6.5	6.5	6.5	6.5
h ø	8.0	8.0	8.0	8.0	8.0
i	2x M25	2x M25	2x M25	2x M25	2x M25
k	2x M25	2x M25	2x M25	2x M25	2x M25

Protection:

- Without fuse protection

- With fuse base D01 for 16A and D02 for 32A



- With 3-pole C-type MCB



- With RCCB 40/0.03A, 4-pole



3	4	5	110V 50-60 Hz	230V 50-60 Hz	400V 50-60 Hz	500V 50-60 Hz	100-300Hz > 50V	301-500Hz > 50V	g
2P+E Ampere	3P+E Poles	3P+N+E Poles	3pol 4pol 5pol 4h 4h 4h	3pol 4pol 5pol 6h 9h 9h	3pol 4pol 5pol 9h 6h 6h	3pol 4pol 5pol 7h 7h 7h	3pol 4pol 5pol 10h 10h 10h	3pol 4pol 5pol 2h 2h 2h	Qty

16	4				1582	15044			1
16	5				1583				1 840
32	3	15029	15030						1 675
32	4				1584	15045			1
32	5				1585				1 930
16	4				1586				1
16	5				1587				1 1035
32	3		1537						1
32	4				1588				1
32	5				1589				1 1220
16	4				1594				1 1185
16	5				1595				1
32	4				1596				1
32	5				1597				1 1310
16	4				15125				1
16	5				15076				1 1275
32	4				15126				1 1440
32	5				15077				1 1355

SURFACE MOUNTING SOCKET OUTLETS, fused

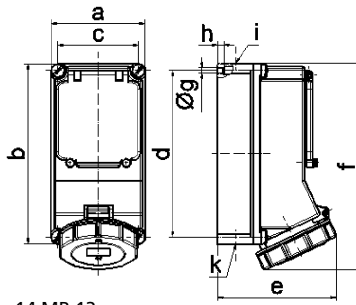
- IEC 60309-1/2, EN 60309, VDE 0623
- Enclosure, window and socket insert made of high-grade plastic
- Protection degree IP67

Surface Mounting Socket Outlet

- With Din rail
- 5 modules
- Nickel plated contacts
- Protection degree IP67



Fig.: Type 15112



14 MB 12

Ampere Poles	16 4	16 5	32 3	32 4	32 5
a	118.0	118.0	118.0	118.0	118.0
b	225.0	225.0	225.0	225.0	225.0
c	101.0	101.0	101.0	101.0	101.0
d	208.0	208.0	208.0	208.0	208.0
e	127.0	134.0	143.0	143.0	149.0
f	245.0	245.0	255.0	255.0	255.0
g ø	6.5	6.5	6.5	6.5	6.5
h	8.0	8.0	8.0	8.0	8.0
i	2x M25	2x M25	2x M25	2x M25	2x M25
k	2x M25	2x M25	2x M25	2x M25	2x M25

Protection:

- Without fuse protection

Protection		110V 50-60 Hz		230V 50-60 Hz		400V 50-60 Hz		500V 50-60 Hz		100-300Hz > 50V		301-500Hz > 50V		Qty	g each
2P+E Ampere	3P+E Poles	3pol 4h	4pol 4h	3pol 6h	4pol 9h	3pol 9h	4pol 6h	3pol 7h	4pol 7h	3pol 10h	4pol 10h	3pol 2h	4pol 2h		
16	4													1	950
16	5													1	980
32	3		15388		15352									1	1000
32	4													1	1020
32	5													1	1160

- With fuse base D01 for 16A and D02 for 32A



16	4													1	1150
16	5													1	1180
32	3													1	1200
32	4													1	1220
32	5													1	1360

- With 3-pole C-type MCB



16	4													1	1250
16	5													1	1280
32	4													1	1320
32	5													1	1460

- With RCCB 40/0.03A, 4-pole



16	4													1	1410
16	5													1	1440
32	4													1	1480
32	5													1	1520

SURFACE MOUNTING SOCKET OUTLETS, fused

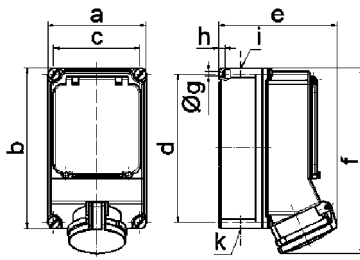
- IEC 60309-1/2, EN 60309, VDE 0623
- Enclosure, window and socket insert made of high-grade plastic
- Protection degree IP44

Surface Mounting Socket Outlet

- With Din rail
- 7 modules
- 63A with box terminals and Kontex contact
- Nickel plated contacts
- Protection degree IP44



Fig.: Type 15036



14 MB 14

Ampere Poles	32 4	32 5	63 3	63 4	63 5
a	160.0	160.0	160.0	160.0	160.0
b	260.0	260.0	260.0	260.0	260.0
c	140.0	140.0	140.0	140.0	140.0
d	240.0	240.0	240.0	240.0	240.0
e	160.0	168.0	185.0	185.0	185.0
f	286.0	286.0	303.0	303.0	303.0
g ø	8.1	8.1	8.1	8.1	8.1
h	10.0	10.0	10.0	10.0	10.0
i	M40	M40	M40	M40	M40
k	M32/40	M32/40	M32/40	M32/40	M32/40

Protection:

- Without fuse protection

3	4	5	110V 50-60 Hz	230V 50-60 Hz	400V 50-60 Hz	500V 50-60 Hz	100-300Hz > 50V	301-500Hz > 50V	g
2P+E Ampere	3P+E Poles	3P+N+E Poles	3pol 4pol 5pol 4h 4h 4h	3pol 4pol 5pol 6h 9h 9h	3pol 4pol 5pol 9h 6h 6h	3pol 4pol 5pol 7h 7h 7h	3pol 4pol 5pol 10h 10h 10h	3pol 4pol 5pol 2h 2h 2h	Qty

32	4				15129	15172			1
32	5				15130				1
63	3			15052					1
63	4				15035				1
63	5				15036				1 2165

- With fuse base D02



32	4				15131				1
32	5				15132				1
63	3			15058					1
63	4				15081				1
63	5				15082				1 2165

- With 3-pole C-type MCB



32	4				15138				1
32	5				15139				1
63	4				15140				1
63	5				15141				1

- With RCCB 40/0.03A, 4-pole for 32A; 63/0.03A, 4-pole for 63A



32	4				15146				1
32	5				15147				1 1915
63	4				15148				1
63	5				15017				1 2251

Products with PILOT please add "P" to the ref.no.

SURFACE MOUNTING SOCKET OUTLETS, fused

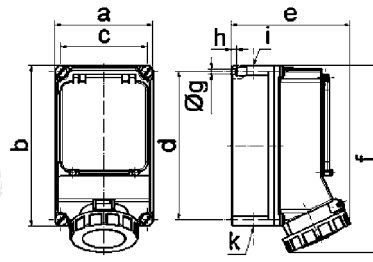
- IEC 60309-1/2, EN 60309, VDE 0623
- Enclosure, window and socket insert made of high-grade plastic
- Protection degree IP67

Surface Mounting Socket Outlet

- With Din rail
- 7 modules
- 63A with box terminals and Kontex contact
- Nickel plated contacts
- Protection degree IP67



Fig.: Type 15001



14 MB 11

Ampere Poles	32 4	32 5	63 4	63 5
a	160.0	160.0	160.0	160.0
b	260.0	260.0	260.0	260.0
c	140.0	140.0	140.0	140.0
d	240.0	240.0	240.0	240.0
e	172.0	174.0	195.0	195.0
f	293.0	294.0	304.0	304.0
g ø	8.1	8.1	8.1	8.1
h	10.0	10.0	10.0	10.0
i	M40	M40	M40	M40
k	M32/40	M32/40	M32/40	M32/40

Protection:

- Without fuse protection

	32	4	5	1598	15174	1	1850
32 4				1598	15174	1	1850
32 5				1599		1	
63 4				15000	15175	1	1850
63 5				15001		1	1950

- With fuse base D02



	32	4	5	15133	15134	1	1950
32 4				15133		1	1950
32 5				15134		1	
63 4				15083		1	
63 5				15013		1	

- With 3-pole C-type MCB



	32	4	5	15142	15143	1	1950
32 4				15142		1	1950
32 5				15143		1	
63 4				15144		1	
63 5				15145		1	

- With RCCB 40/0.03A, 4-pole for 32A; 63/0.03A, 4-pole for 63A



	32	4	5	15149	15150	1	2315
32 4				15149		1	2315
32 5				15150		1	
63 4				15151		1	
63 5				15080		1	2315

Products with PILOT please add "P" to the ref.no.

SURFACE MOUNTING SOCKET OUTLETS, fused

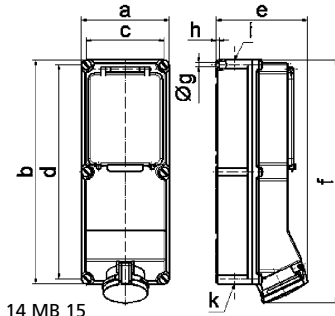
- IEC 60309-1/2, EN 60309, VDE 0623
- Enclosure, window and socket insert made of high-grade plastic
- Protection degree IP44

Surface Mounting Socket Outlet

- With Din rail
- 8 modules
- Kontex contact
- Nickel plated contacts
- Box terminals
- Protection degree IP44



Fig.: Type 15038



Ampere Poles	63	63		
a	180.0	180.0		
b	460.0	460.0		
c	160.0	160.0		
d	440.0	440.0		
e	182.0	182.0		
f	498.0	498.0		
g ø	8.3	8.3		
h	6.5	6.5		
i	M40	M40		
k	M32/40	M32/40		

Protection:

2P+E Ampere	3P+E Poles	3P+N+E Poles	110V 50-60 Hz	230V 50-60 Hz	400V 50-60 Hz	500V 50-60 Hz	100-300Hz > 50V	301-500Hz > 50V	Qty	g each
3	4	5	3pol 4pol 5pol 4h 4h 4h	3pol 4pol 5pol 6h 9h 9h	3pol 4pol 5pol 9h 6h 6h	3pol 4pol 5pol 7h 7h 7h	3pol 4pol 5pol 10h 10h 10h	3pol 4pol 5pol 2h 2h 2h		

- Without fuse protection

63	4			<u>15155</u>	<u>15156</u>				1	3800
63	5			<u>15038</u>					1	2830

- With load-break switch NH00



63	4			<u>15152</u>	<u>15153</u>				1	
63	5			<u>15154</u>					1	3390

- With RCCB 63/0.03A, 4-pole



63	4			<u>15161</u>					1	
63	5			<u>15162</u>					1	

- With RCCB 63/0.3A, 4-pole



63	4			<u>15163</u>					1	
63	5			<u>15164</u>					1	

Products with PILOT please add "P" to the ref.no.

SURFACE MOUNTING SOCKET OUTLETS, fused

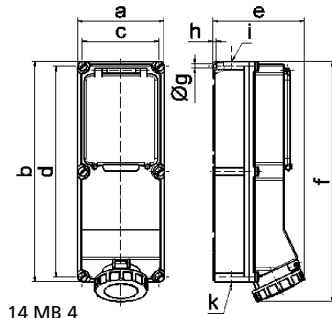
- IEC 60309-1/2, EN 60309, VDE 0623
- Enclosure, window and socket insert made of high-grade plastic
- Protection degree IP67

Surface Mounting Socket Outlet

- With Din rail
- 8 modules
- Kontex contact
- Box terminals
- Nickel plated contacts
- Protection degree IP67



Fig.: Type 15047



14 MB 4

Ampere Poles	63 3	63 4	63 5	125 4	125 5
a	180.0	180.0	180.0	180.0	180.0
b	460.0	460.0	460.0	460.0	460.0
c	160.0	160.0	160.0	160.0	160.0
d	440.0	440.0	440.0	440.0	440.0
e	191.0	191.0	191.0	210.0	210.0
f	500.0	500.0	500.0	512.0	512.0
g ø	8.3	8.3	8.3	8.3	8.3
h	6.5	6.5	6.5	6.5	6.5
i	M40	M40	M40	M40	M40
k	M32/40	M32/40	M32/40	M40/50	M40/50

Protection:

- Without fuse protection

63	3	15072	1	
63	4	1580	15157	1
63	5	15047		1 2890
125	4	15158	15159	1
125	5	15160		1 3800

- With RCCB 63/0.03A, 4-pole for 63A; 125/0.3A, 4-pole for 125A



63	4	15165		1
63	5	15166		1 3285
125	4	15169		1
125	5	15170		1 3960

- With RCCB 63/0.3A, 4-pole for 63A; 125/0.5A, 4-pole for 125A



63	4	15167		1
63	5	15168		1
125	4	15171		1
125	5	15075		1

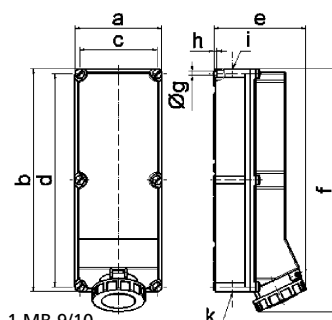
Products with PILOT please add "P" to the ref.no.

Surface Mounting Socket Outlet

- Kontex contact
- Box terminals
- Nickel plated contacts
- Protection degree IP67



Fig.: Type 15009



1 MB 9/10

Ampere Poles	63 4	63 5	125 4	125 5
a	180.0	180.0	180.0	180.0
b	460.0	460.0	460.0	460.0
c	160.0	160.0	160.0	160.0
d	440.0	440.0	440.0	440.0
e	191.0	191.0	210.0	210.0
f	500.0	500.0	512.0	512.0
g ø	8.3	8.3	8.3	8.3
h	6.5	6.5	6.5	6.5
i	M40	M40	M40	M40
k	M32/40	M32/40	M40/50	M40/50

Protection:

- With load-break switch NH00



63	4	15006	15042	1
63	5	15007		1 3455
125	4	15008	15043	1 3715
125	5	15009		1 4030

Products with PILOT please add "P" to the ref.no.

SURFACE MOUNTING SOCKET OUTLETS, switched, interlocked

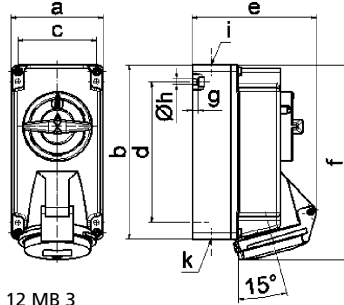
- IEC 60309-1/2, EN 60309, VDE 0623
- Protection degree IP44
- Enclosure and socket insert made of high-grade plastic
- Opening direction of hinged lid largely prevents penetration of dust, moisture and dirt

Surface Mounting Socket Outlet

- Switched
- Lockable in 0-position
- With mechanical double interlocking
- Nickel plated contacts
- Protection degree IP44



Fig.: Type 1611



12 MB 3

Ampere Poles	16 3	16 4	16 5
a	90.0	90.0	90.0
b	170.0	170.0	170.0
c	77.0	77.0	77.0
d	137.5	137.5	137.5
e	108.0	114.0	121.0
f	188.5	188.5	190.0
g	6.0	6.0	6.0
h ø	5.5	5.5	5.5
i	M20	M20	M20
k	M20/25	M20/25	M20/25

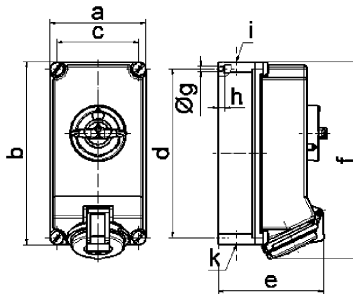
2P+E Ampere	3P+E Poles	3P+N+E Poles	110V 50-60 Hz	230V 50-60 Hz	400V 50-60 Hz	500V 50-60 Hz	100-300Hz >50V	301-500Hz >50V	Qty	g each
16	3		16008	1619					1	575
16	4			1641	1610	1616			1	605
16	5			1642	1611				1	615

Surface Mounting Socket Outlet

- Switched
- Lockable in 0-position
- With mechanical double interlocking
- Nickel plated contacts
- Protection degree IP44



Fig.: Type 16039



12 MB 24

Ampere Poles	16 4	16 5	32 3	32 4	32 5
a	118.0	118.0	118.0	118.0	118.0
b	225.0	225.0	225.0	225.0	225.0
c	101.0	101.0	101.0	101.0	101.0
d	208.0	208.0	208.0	208.0	208.0
e	126.0	134.0	137.0	137.0	144.0
f	242.0	242.0	251.0	251.0	251.0
g ø	6.5	6.5	6.5	6.5	6.5
h	8.0	8.0	8.0	8.0	8.0
i	2x M25	2x M25	2x M25	2x M25	2x M25
k	2x M25	2x M25	2x M25	2x M25	2x M25

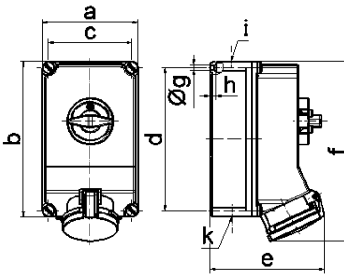
2P+E Ampere	3P+E Poles	3P+N+E Poles	110V 50-60 Hz	230V 50-60 Hz	400V 50-60 Hz	500V 50-60 Hz	100-300Hz >50V	301-500Hz >50V	Qty	g each
16	4			16058	16038	16064			1	980
16	5				16039				1	1010
32	3		16123	16097					1	1160
32	4			16060	16042	16066			1	1205
32	5				16043				1	1210

Surface Mounting Socket Outlet

- Switched
- Lockable in 0-position
- With mechanical double interlocking
- Nickel plated contacts
- Box terminals
- Protection degree IP44



Fig.: Type 16603



12 MB 30

Ampere Poles	63 3	63 4	63 5
a	160.0	160.0	160.0
b	260.0	260.0	260.0
c	140.0	140.0	140.0
d	240.0	240.0	240.0
e	184.0	184.0	184.0
f	302.0	302.0	302.0
g ø	8.1	8.1	8.1
h	10.0	10.0	10.0
i	M40	M40	M40
k	M32/40	M32/40	M32/40

2P+E Ampere	3P+E Poles	3P+N+E Poles	110V 50-60 Hz	230V 50-60 Hz	400V 50-60 Hz	500V 50-60 Hz	100-300Hz >50V	301-500Hz >50V	Qty	g each
63	3		16093	16956					1	2025
63	4			16933	16605	16827			1	2150
63	5				16603	16721			1	2245

Products with PILOT please add "P" to the ref.no.

SURFACE MOUNTING SOCKET OUTLETS, switched, interlocked

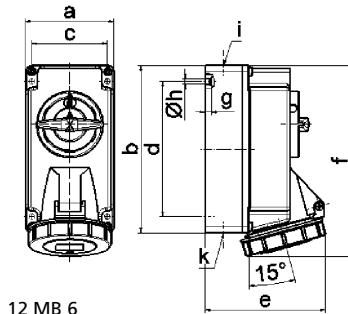
- IEC 60309-1/2, EN 60309, VDE 0623
- Protection degree IP67
- Enclosure and socket insert made of high-grade plastic
- Opening direction of hinged lid largely prevents penetration of dust, moisture and dirt

Surface Mounting Socket Outlet

- Switched
- Lockable in 0-position
- With mechanical double interlocking
- Nickel plated contacts
- Protection degree IP67



Fig.: Type 160052



12 MB 6

Ampere Poles	16 3	16 4	16 5
a	90.0	90.0	90.0
b	170.0	170.0	170.0
c	77.0	77.0	77.0
d	137.5	137.5	137.5
e	108.0	115.0	121.0
f	191.5	191.5	191.5
g	6.0	6.0	6.0
h \emptyset	5.5	5.5	5.5
i	M20	M20	M20
k	M20/25	M20/25	M20/25

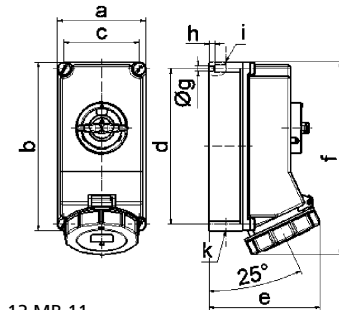
2P+E Ampere	3P+E Poles	3P+N+E Poles	110V 50-60 Hz	230V 50-60 Hz	400V 50-60 Hz	500V 50-60 Hz	100-300Hz > 50V	301-500Hz > 50V	Qty	g each
16	3		16138	160048	160056				1	600
16	4			160053	160049	160057			1	625
16	5			160055	160052	160058			1	640

Surface Mounting Socket Outlet

- Switched
- Lockable in 0-position
- With mechanical double interlocking
- Nickel plated contacts
- Protection degree IP67



Fig.: Type 16041



12 MB 11

Ampere Poles	16 4	16 5	32 3	32 4	32 5
a	118.0	118.0	118.0	118.0	118.0
b	225.0	225.0	225.0	225.0	225.0
c	101.0	101.0	101.0	101.0	101.0
d	208.0	208.0	208.0	208.0	208.0
e	127.0	134.0	143.0	143.0	149.0
f	245.0	245.0	255.0	255.0	255.0
g \emptyset	6.5	6.5	6.5	6.5	6.5
h	8.0	8.0	8.0	8.0	8.0
i	2x M25	2x M25	2x M25	2x M25	2x M25
k	2x M25	2x M25	2x M25	2x M25	2x M25

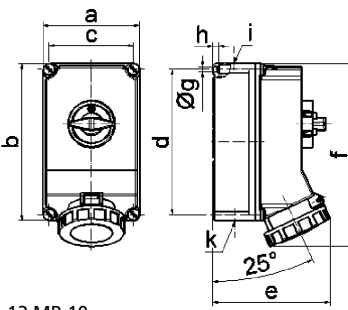
2P+E Ampere	3P+E Poles	3P+N+E Poles	110V 50-60 Hz	230V 50-60 Hz	400V 50-60 Hz	500V 50-60 Hz	100-300Hz > 50V	301-500Hz > 50V	Qty	g each
16	4			16059	16040	16065			1	1020
16	5				16041				1	1050
32	3		16124	16104					1	1275
32	4			16875	160178	160179			1	1255
32	5				160177				1	1325

Surface Mounting Socket

- Switched
- Lockable in 0-position
- With mechanical double interlocking
- Kontex contact
- Nickel plated contacts
- Box terminals
- Protection degree IP67



Fig.: Type 16602



12 MB 10

Ampere Poles	63 3	63 4	63 5
a	160.0	160.0	160.0
b	260.0	260.0	260.0
c	140.0	140.0	140.0
d	240.0	240.0	240.0
e	195.0	195.0	195.0
f	304.0	304.0	304.0
g \emptyset	8.1	8.1	8.1
h	10.0	10.0	10.0
i	M40	M40	M40
k	M32/40	M32/40	M32/40

2P+E Ampere	3P+E Poles	3P+N+E Poles	110V 50-60 Hz	230V 50-60 Hz	400V 50-60 Hz	500V 50-60 Hz	100-300Hz > 50V	301-500Hz > 50V	Qty	g each
63	3		16125	16606					1	2135
63	4			16934	16604	16828			1	2200
63	5				16602	160290			1	2300

Products with PILOT please add "P" to the ref.no.

SURFACE MOUNTING SOCKET OUTLETS, switched, interlocked

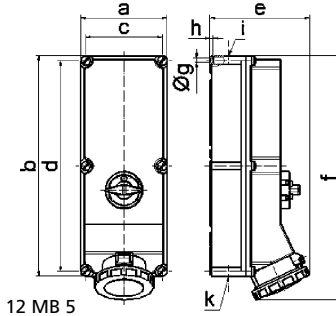
- IEC 60309-1/2, EN 60309, VDE 0623
- Protection degree IP67
- Enclosure and socket insert made of high-grade plastic
- Opening direction of hinged lid largely prevents penetration of dust, moisture and dirt

Surface Mounting Socket Outlet

- Switched
- Lockable in 0-position
- With mechanical double interlocking
- Kontex contact
- Nickel plated contacts
- Box terminals
- Protection degree IP67



Fig.: Type 16622



12 MB 5

Ampere Poles	125 3	125 4	125 5
a	180.0	180.0	180.0
b	460.0	460.0	460.0
c	160.0	160.0	160.0
d	440.0	440.0	440.0
e	208.0	208.0	208.0
f	510.0	510.0	510.0
g ø	8.3	8.3	8.3
h	6.5	6.5	6.5
i	M40	M40	M40
k	M40/50	M40/50	M40/50

2P+E Ampere	3P+E Poles	3P+N+E Poles	110V 50-60 Hz	230V 50-60 Hz	400V 50-60 Hz	500V 50-60 Hz	100-300Hz > 50V	301-500Hz > 50V	Qty	g each
125	3			16620					1	3605
125	4			16930	16621	16831			1	3635
125	5				16622				1	3950

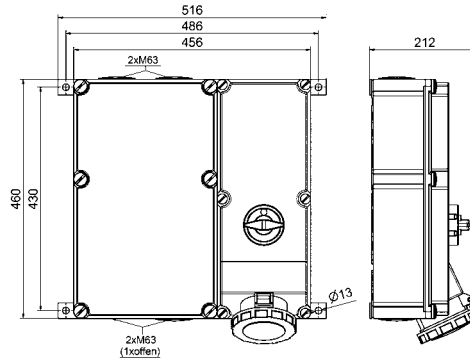
In the case of 125A Surface Mounting Socket Outlets with PILOT, please add -P to the end of the order number.

Surface Mounting Socket Outlet

- Switched
- Lockable in 0-position
- With mechanical double interlocking
- Kontex contact
- Nickel plated contacts
- Box terminals
- Terminals 5x 50mm²
- Protection degree IP67



Fig.: Type 51010578



Z131190

2P+E Ampere	3P+E Poles	3P+N+E Poles	110V 50-60 Hz	230V 50-60 Hz	400V 50-60 Hz	500V 50-60 Hz	100-300Hz > 50V	301-500Hz > 50V	Qty	g each
125	5									51010578

SURFACE MOUNTING SOCKET OUTLETS, switched, fused

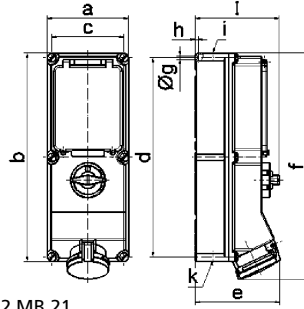
- IEC 60309-1/2, EN 60309, VDE 0623
- Enclosure, window and socket insert made of high-grade plastic
- Protection degree IP44

Surface Mounting Socket Outlet

- Switched
- Lockable in 0-position
- With Din rail
- 6 modules for 16A and 32A, 8 modules for 63A
- 63A with box terminals and Kontex contact
- Nickel plated contacts
- Protection degree IP44



Fig.: Type 17060



12 MB 21

Ampere Poles	16 4	16 5	32 4	32 5	63 4	63 5
a	134.0	134.0	134.0	134.0	180.0	180.0
b	365.0	365.0	365.0	365.0	460.0	460.0
c	117.0	117.0	117.0	117.0	160.0	160.0
d	348.0	348.0	348.0	348.0	440.0	440.0
e	135.0	141.0	146.0	152.0	184.0	184.0
f	382.0	382.0	391.0	391.0	500.0	500.0
g ø	6.5	6.5	6.5	6.5	8.3	8.3
h	8.0	8.0	8.0	8.0	6.5	6.5
i	M25/32	M25/32	M32/40	M32/40	M40	M40
k	M25/32	M25/32	M32/40	M32/40	M32/40	M32/40
l	156.0	156.0	156.0	156.0	189.0	189.0

Protection:

- Without fuse protection

	3P+E Ampere	4P+E Poles	5P+N+E Poles	110V 50-60 Hz	230V 50-60 Hz	400V 50-60 Hz	500V 50-60 Hz	100-300Hz >50V	301-500Hz >50V	Qty	g each
16	4			17275	17055	17337				1	
16	5				17056					1	1630
32	4			17276	17057	17338				1	1700
32	5				17058					1	1750
63	4			17277	17059	17339				1	
63	5				17060	17847				1	

- With fuse base D01 for 16A and D02 for 32A and 63A



16	4			17027	1775					1	1775
16	5				1776					1	1830
32	4			17028	1777					1	
32	5				1778					1	2160
63	4			176	174					1	
63	5			177	175					1	3495

- With fuse base DII for 16A and DIII for 32A and 63A



16	4			17032	1783	17233				1	
16	5				1784					1	
32	4			17033	1785	17234				1	
32	5				1786					1	2230
63	4			1734	178	1736				1	
63	5			1735	179					1	3795

- With 3-pole C-type MCB



16	4			17280	17281					1	
16	5				17282					1	1960
32	4			17283	17284					1	
32	5				17285					1	
63	4			17286	17287					1	
63	5				17288					1	

- With C-type MCB and RCCB 40/0.03A for 16A and 32A



16	4			17298	17299					1	
16	5				17300					1	2350
32	4			17301	17302					1	
32	5				17303					1	2675
63	4			17304	17305					1	
63	5				17306					1	3955

- With D02 and RCCB 63/0.03A for 63A



63	4			17037	1793	17335				1	
63	5				1794					1	

- With load-break switch NH00



Products with PILOT please add "P" to the ref.no.

SURFACE MOUNTING SOCKET OUTLETS, switched, fused

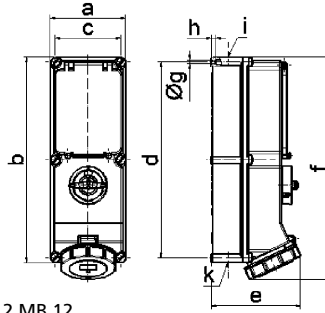
- IEC 60309-1/2, EN 60309, VDE 0623
- Enclosure, window and socket insert made of high-grade plastic
- Protection degree IP67

Surface Mounting Socket Outlet

- Switched
- Lockable in 0-position
- With Din rail
- 6 modules for 16A and 32A, 8 modules for 63A
- 63A with box terminals and Kontex contact
- Nickel plated contacts
- Protection degree IP67



Fig.: Type 17066



12 MB 12

Ampere Poles	16 4	16 5	32 4	32 5	63 4	63 5
a	134.0	134.0	134.0	134.0	180.0	180.0
b	365.0	365.0	365.0	365.0	460.0	460.0
c	117.0	117.0	117.0	117.0	160.0	160.0
d	348.0	348.0	348.0	348.0	440.0	440.0
e	136.0	143.0	152.0	158.0	191.0	191.0
f	389.0	389.0	399.0	399.0	500.0	500.0
g ø	6.5	6.5	6.5	6.5	8.3	8.3
h	8.0	8.0	8.0	8.0	6.5	6.5
i	M25/32	M25/32	M32/40	M32/40	M40	M40
k	M25/32	M25/32	M32/40	M32/40	M32/40	M32/40

Protection:

- Without fuse protection

- With fuse base D01 for 16A and D02 for 32A and 63A

- With fuse base DII for 16A and DIII for 32A and 63A

- With 3-pole C-type MCB

- With C-type MCB and RCCB 40/0.03A for 16A and 32A

- With D02 and RCCB 63/0.03A for 63A

- With load-break switch NH00

	3P+E Ampere	4P+E Poles	5P+E Poles	110V 50-60 Hz	230V 50-60 Hz	400V 50-60 Hz	500V 50-60 Hz	100-300Hz >50V	301-500Hz >50V	g	g
				3pol 4pol 5pol 4h 4h 4h	3pol 4pol 5pol 6h 9h 9h	3pol 4pol 5pol 9h 6h 6h	3pol 4pol 5pol 7h 7h 7h	3pol 4pol 5pol 10h 10h 10h	3pol 4pol 5pol 2h 2h 2h	Qty	each
	16	4			17278	17061	17340			1	
	16	5				17062				1	1675
	32	4			17162	17063	17341			1	
	32	5				17064				1	1800
	63	4			17279	17065	17342			1	
	63	5				17066				1	3280
	16	4			17029	1779				1	
	16	5				1780				1	
	32	4			17030	1781				1	
	32	5				1782				1	
	63	4			17031	1791				1	
	63	5				1792				1	
	16	4			17034	1787	17334			1	
	16	5				1788				1	
	32	4			17035	1789	17238			1	
	32	5				1790				1	
	63	4			17036	1771	1773			1	3720
	65	5				1770				1	
	16	4			17289	17290				1	
	16	5				17291				1	2000
	32	4			17292	17293				1	
	32	5				17294				1	
	63	4			17295	17296				1	
	63	5				17297				1	3715
	16	4			17307	17308				1	
	16	5				17309				1	
	32	4			17310	17311				1	
	32	5				17312				1	2590
	63	4			17313	17314				1	
	63	5				17315				1	
	63	4			17038	1795	17336			1	
	63	5				1796				1	

Products with PILOT please add "P" to the ref.no.

SURFACE MOUNTING SOCKET OUTLETS, switched, interlocked, fused

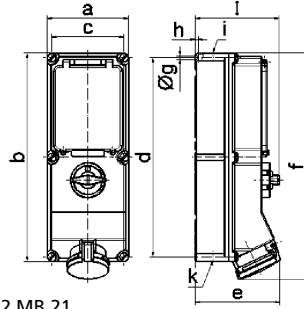
- IEC 60309-1/2, EN 60309, VDE 0623
- Enclosure, window and socket insert made of high-grade plastic
- Protection degree IP44

Surface Mounting Socket Outlet

- Switched
- Interlocked
- Lockable in 0-position
- With Din rail
- 6 modules for 16A and 32A, 8 modules for 63A
- 63A with box terminals and Kontex contact
- Nickel plated contacts
- Protection degree IP44



Fig.: Type 17524



12 MB 21

Ampere Poles	16 4	16 5	32 4	32 5	63 4	63 5
a	134.0	134.0	134.0	134.0	180.0	180.0
b	365.0	365.0	365.0	365.0	460.0	460.0
c	117.0	117.0	117.0	117.0	160.0	160.0
d	348.0	348.0	348.0	348.0	440.0	440.0
e	135.0	141.0	146.0	152.0	184.0	184.0
f	382.0	382.0	391.0	391.0	500.0	500.0
g ø	6.5	6.5	6.5	6.5	8.3	8.3
h	8.0	8.0	8.0	8.0	6.5	6.5
i	M25/32	M25/32	M32/40	M32/40	M40	M40
k	M25/32	M25/32	M32/40	M32/40	M32/40	M32/40
l	156.0	156.0	156.0	156.0	189.0	189.0

Protection:

- Without fuse protection

	3P+E	4P	5P	110V 50-60 Hz	230V 50-60 Hz	400V 50-60 Hz	500V 50-60 Hz	100-300Hz >50V	301-500Hz >50V	Qty	g each
16	4				17165	17164	17166			1	1650
16	5					17163				1	
32	4				17167	17168	17169			1	1855
32	5					17170				1	1960
63	4				17521	17522	17523			1	3205
63	5					17524				1	3450

- With fuse base D01 for 16A and D02 for 32A and 63A



16	4				17039	1797				1	
16	5					1798				1	
32	4				17040	1799				1	
32	5					17000				1	
63	4				17525	17526				1	
63	5					17527				1	3720

- With fuse base DII for 16A and DIII for 32A and 63A



16	4				17044	17007	17019			1	2005
16	5					17008				1	
32	4				17045	17009	17020			1	2390
32	5					17010				1	
63	4				17528	17529	17530			1	3740
63	5					17531				1	

- With 3-pole C-type MCB



16	4				17316	17186				1	
16	5					17187				1	
32	4				17317	17188				1	
32	5					17189				1	
63	4				17532	17533				1	
63	5					17534				1	

- With C-type MCB and RCCB 40/0.03A for 16A and 32A



16	4				17322	17323				1	
16	5					17343				1	2430
32	4				17324	17325				1	
32	5					17344				1	2650
63	4				17535	17536				1	
63	5					17537				1	

- With D02 and RCCB 63/0.03A for 63A



63	4				17555	17556	17557			1	3705
63	5					17558				1	

- With load-break switch NH00



Products with PILOT please add "P" to the ref.no.

SURFACE MOUNTING SOCKET OUTLETS, switched, interlocked, fused

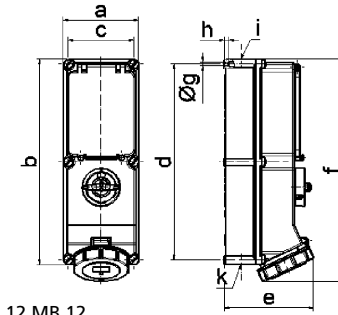
- IEC 60309-1/2, EN 60309, VDE 0623
- Enclosure, window and socket insert made of high-grade plastic
- Protection degree IP67

Surface Mounting Socket Outlet

- Switched
- Interlocked
- Lockable in 0-position
- With Din rail
- 6 modules for 16A and 32A, 8 modules for 63A
- 63A with box terminals and Kontex contact
- Nickel plated contacts
- Protection degree IP67



Fig.: Type 17541



12 MB 12

Ampere Poles	16 4	16 5	32 4	32 5	63 4	63 5
a	134.0	134.0	134.0	134.0	180.0	180.0
b	365.0	365.0	365.0	365.0	460.0	460.0
c	117.0	117.0	117.0	117.0	160.0	160.0
d	348.0	348.0	348.0	348.0	440.0	440.0
e	136.0	143.0	152.0	158.0	191.0	191.0
f	389.0	389.0	399.0	399.0	500.0	500.0
g ø	6.5	6.5	6.5	6.5	8.3	8.3
h	8.0	8.0	8.0	8.0	6.5	6.5
i	M25/32	M25/32	M32/40	M32/40	M40	M40
k	M25/32	M25/32	M32/40	M32/40	M32/40	M32/40

Protection:

- Without fuse protection

- With fuse base
D01 for 16A and
D02 for 32A and 63A



- With fuse base
DII for 16A and
DIII for 32A and 63A



- With 3-pole C-type MCB



- With C-type MCB and
RCCB 40/0.03A for
16A and 32A



- With D02 and
RCCB 63/0.03A for 63A



- With load-break switch NH00



	3P+E 2P+E Ampere	4P+E 3P+N+E Poles	110V 50-60 Hz 3pol 4pol 5pol 4h 4h 4h	230V 50-60 Hz 3pol 4pol 5pol 6h 9h 9h	400V 50-60 Hz 3pol 4pol 5pol 9h 6h 6h	500V 50-60 Hz 3pol 4pol 5pol 7h 7h 7h	100-300Hz > 50V 3pol 4pol 5pol 10h 10h 10h	301-500Hz > 50V 3pol 4pol 5pol 2h 2h 2h	g Qty	9 each
	16	4	17175	17176	17177				1	1685
	16	5		17178					1	1735
	32	4	17179	17180	17181				1	1900
	32	5		17182					1	2033
	63	4	17538	17539	17540				1	3260
	63	5		17541					1	3415
	16	4	17041	17001					1	
	16	5		17002					1	
	32	4	17042	17003					1	
	32	5		17004					1	
	63	4	17542	17543					1	
	63	5		17544					1	
	16	4	17046	17011	17021				1	
	16	5		17012					1	
	32	4	17047	17013	17022				1	
	32	5		17014					1	
	63	4	17545	17546	17547				1	3790
	63	5		17548					1	
	16	4	17319	17192					1	
	16	5		17193					1	
	32	4	17320	17194					1	
	32	5		17195					1	2305
	63	4	17549	17550					1	
	63	5		17551					1	
	16	4	17328	17329					1	
	16	5		17345					1	2450
	32	4	17330	17331					1	
	32	5		17346					1	
	63	4	17552	17553					1	
	63	5		17554					1	4240
	63	4	17559	17560	17561				1	
	63	5		17562					1	3880

Products with PILOT please add "P" to the ref.no.

SURFACE MOUNTING SOCKET OUTLETS switched, interlocked

- Particularly suitable for harsh operating conditions, especially resistant to aggressive atmospheres
- IEC 60309, EN 60309, VDE 0623
- Protection degree IP44

Surface Mounting Socket Outlet

- Switched
- With mechanical double interlocking
- Lockable in 0-position
- High-temperature-resistant contact carrier
- Nickel plated contacts
- Protection degree IP44

Dimension drawing: see page 45/1 (12 MB 3)



Fig.: Type 16907

3		4		5		230V 50-60 Hz			400V 50-60 Hz			500V 50-60 Hz			Qty	
2P+E		3P+E		3P+N+E		3pol	4pol	5pol	3pol	4pol	5pol	3pol	4pol	5pol	each	
Ampere		Poles				6h	9h	9h	9h	6h	6h	7h	7h	7h		
16	5				16906			16907						1	655	

Surface Mounting Socket Outlet

- Switched
- With mechanical double interlocking
- Lockable in 0-position
- High-temperature-resistant contact carrier
- Nickel plated contacts
- Protection degree IP44

Dimension drawing: see page 45/2 (12 MB 24)



Fig.: Type 160180

3		4		5		230V 50-60 Hz			400V 50-60 Hz			500V 50-60 Hz			Qty	
2P+E		3P+E		3P+N+E		3pol	4pol	5pol	3pol	4pol	5pol	3pol	4pol	5pol	each	
Ampere		Poles				6h	9h	9h	9h	6h	6h	7h	7h	7h		
16	5							160180						1	1010	

Surface Mounting Socket Outlet

- Switched
- With mechanical double interlocking
- Lockable in 0-position
- High-temperature-resistant contact carrier
- Nickel plated contacts
- Protection degree IP44

Dimension drawing: see page 45/2 (12 MB 24)



Fig.: Type 160181

3		4		5		230V 50-60 Hz			400V 50-60 Hz			500V 50-60 Hz			Qty	
2P+E		3P+E		3P+N+E		3pol	4pol	5pol	3pol	4pol	5pol	3pol	4pol	5pol	each	
Ampere		Poles				6h	9h	9h	9h	6h	6h	7h	7h	7h		
32	5							160181						1	1295	

Surface Mounting Socket Outlet

- Switched
- With mechanical double interlocking
- Lockable in 0-position
- High-temperature-resistant contact carrier
- Kontex contact and box terminals
- Nickel plated contacts
- Protection degree IP44

Dimension drawing: see page 45/3 (12 MB 30)



Fig.: Type 16901

3		4		5		230V 50-60 Hz			400V 50-60 Hz			500V 50-60 Hz			Qty	
2P+E		3P+E		3P+N+E		3pol	4pol	5pol	3pol	4pol	5pol	3pol	4pol	5pol	each	
Ampere		Poles				6h	9h	9h	9h	6h	6h	7h	7h	7h		
63	5							16901						1	2245	

Products with PILOT please add "P" to the ref.no.

SURFACE MOUNTING SOCKET OUTLETS switched, interlocked

- Particularly suitable for harsh operating conditions, especially resistant to aggressive atmospheres
- IEC 60309, EN 60309, VDE 0623
- Protection degree IP67

Surface Mounting Socket Outlet

- Switched
- With mechanical double interlocking
- Lockable in 0-position
- High-temperature-resistant contact carrier
- Nickel plated contacts
- Protection degree IP67

Dimension drawing: see page 46/1 (12 MB 6)



Fig.: Type 16916

3		4		5		230V 50-60 Hz			400V 50-60 Hz			500V 50-60 Hz			Qty	
2P+E		3P+E		3P+N+E		3pol	4pol	5pol	3pol	4pol	5pol	3pol	4pol	5pol	each	
Ampere		Poles				6h	9h	9h	9h	6h	6h	7h	7h	7h		
16		5				16915			16916			1			9	690

Surface Mounting Socket Outlet

- Switched
- With mechanical double interlocking
- Lockable in 0-position
- High-temperature-resistant contact carrier
- Nickel plated contacts
- Protection degree IP67

Dimension drawing: see page 46/2 (12 MB 11)



Fig.: Type 160182

3		4		5		230V 50-60 Hz			400V 50-60 Hz			500V 50-60 Hz			Qty	
2P+E		3P+E		3P+N+E		3pol	4pol	5pol	3pol	4pol	5pol	3pol	4pol	5pol	each	
Ampere		Poles				6h	9h	9h	9h	6h	6h	7h	7h	7h		
16		5							160182			1			9	1095

Surface Mounting Socket Outlet

- Switched
- With mechanical double interlocking
- Lockable in 0-position
- High-temperature-resistant contact carrier
- Nickel plated contacts
- Protection degree IP67

Dimension drawing: see page 46/2 (12 MB 11)



Fig.: Type 160184

3		4		5		230V 50-60 Hz			400V 50-60 Hz			500V 50-60 Hz			Qty	
2P+E		3P+E		3P+N+E		3pol	4pol	5pol	3pol	4pol	5pol	3pol	4pol	5pol	each	
Ampere		Poles				6h	9h	9h	9h	6h	6h	7h	7h	7h		
32		5							160184			1			9	1400

Surface Mounting Socket Outlet

- Switched
- With mechanical double interlocking
- Lockable in 0-position
- High-temperature-resistant contact carrier
- Kontex contact and box terminals
- Nickel plated contacts
- Protection degree IP67

Dimension drawing: see page 46/3 (12 MB 10)



Fig.: Type 16886

3		4		5		230V 50-60 Hz			400V 50-60 Hz			500V 50-60 Hz			Qty	
2P+E		3P+E		3P+N+E		3pol	4pol	5pol	3pol	4pol	5pol	3pol	4pol	5pol	each	
Ampere		Poles				6h	9h	9h	9h	6h	6h	7h	7h	7h		
63		5							16886			1			9	2315

Surface Mounting Socket Outlet

- Switched
- With mechanical double interlocking
- Lockable in 0-position
- High-temperature-resistant contact carrier
- Kontex contact and box terminals
- Nickel plated contacts
- Protection degree IP67

Dimension drawing: see page 47/1 (12 MB 5)



Fig.: Type 16890

3		4		5		230V 50-60 Hz			400V 50-60 Hz			500V 50-60 Hz			Qty	
2P+E		3P+E		3P+N+E		3pol	4pol	5pol	3pol	4pol	5pol	3pol	4pol	5pol	each	
Ampere		Poles				6h	9h	9h	9h	6h	6h	7h	7h	7h		
125		5							16890			1			9	4065

Products with PILOT please add "P" to the ref.no.

SURFACE MOUNTING SOCKET OUTLETS

switched, interlocked, fused

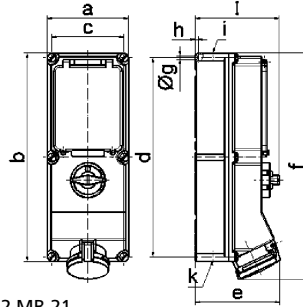
- Particularly suitable for harsh operating conditions, especially resistant to aggressive atmospheres
- IEC 60309, EN 60309, VDE 0623
- Protection degree IP44

Surface Mounting Socket Outlet

- Switched, interlocked
- Lockable in 0-position
- With Din rail, 6 modules for 16A and 32A, 8 modules for 63A
- High-temperature-resistant contact carrier
- Nickel plated contacts
- 63A: Box terminals and Kontex contact
- Protection degree IP44



Fig.: Type 17566



12 MB 21

Ampere Poles	16 4	16 5	32 4	32 5	63 4	63 5
a	134.0	134.0	134.0	134.0	180.0	180.0
b	365.0	365.0	365.0	365.0	460.0	460.0
c	117.0	117.0	117.0	117.0	160.0	160.0
d	348.0	348.0	348.0	348.0	440.0	440.0
e	135.0	141.0	146.0	152.0	184.0	184.0
f	382.0	382.0	391.0	391.0	500.0	500.0
g ø	6.5	6.5	6.5	6.5	8.3	8.3
h	8.0	8.0	8.0	8.0	6.5	6.5
i	M25/32	M25/32	M32/40	M32/40	M40	M40
k	M25/32	M25/32	M32/40	M32/40	M32/40	M32/40
l	156.0	156.0	156.0	156.0	189.0	189.0

Protection:

3P+E Ampere	4P+E Poles	5P+E Poles	110V 50-60 Hz	230V 50-60 Hz	400V 50-60 Hz	500V 50-60 Hz	100-300Hz > 50V	301-500Hz > 50V	Qty	g each
16	5				17608				1	
32	5				17612				1	
63	5				17566				1	
16	5				17615				1	
32	5				17618				1	
63	5				17569				1	3880
16	5				17622				1	
32	5				17626				1	
63	5				17573				1	
16	5				17629				1	
32	5				17632				1	
63	5				17576				1	
16	5				17635				1	
32	5				17638				1	
63	5				17579				1	

- Without fuse protection

- With fuse base
D01 for 16A and
D02 for 32A and 63A



- With fuse base
DII for 16A and
DIII for 32A and 63A



- With 3-pole C-type MCB



- With C-type MCB and
RCCB 40/0.03A for 16A
and 32A



- With D02 and
RCCB 63/0.03A for 63A



Products with PILOT please add "P" to the ref.no.

SURFACE MOUNTING SOCKET OUTLETS

switched, interlocked, fused

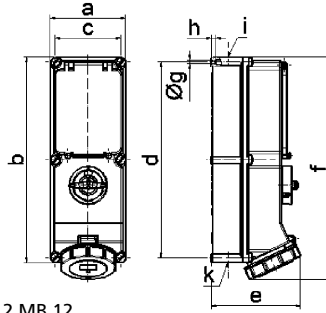
- Particularly suitable for harsh operating conditions, especially resistant to aggressive atmospheres
- IEC 60309, EN 60309, VDE 0623
- Protection degree IP67

Surface Mounting Socket Outlet

- Switched, interlocked
- Lockable in 0-position
- With Din rail, 6 modules for 16A and 32A, 8 modules for 63A
- High-temperature-resistant contact carrier
- Nickel plated contacts
- 63A: Box terminals and Kontex contact
- Protection degree IP67



Fig.: Type 17583



12 MB 12

Ampere Poles	16 4	16 5	32 4	32 5	63 4	63 5
a	134.0	134.0	134.0	134.0	180.0	180.0
b	365.0	365.0	365.0	365.0	460.0	460.0
c	117.0	117.0	117.0	117.0	160.0	160.0
d	348.0	348.0	348.0	348.0	440.0	440.0
e	136.0	143.0	152.0	158.0	191.0	191.0
f	389.0	389.0	399.0	399.0	500.0	500.0
g ø	6.5	6.5	6.5	6.5	8.3	8.3
h	8.0	8.0	8.0	8.0	6.5	6.5
i	M25/32	M25/32	M32/40	M32/40	M40	M40
k	M25/32	M25/32	M32/40	M32/40	M32/40	M32/40

Protection:

2P+E Ampere	3P+E Poles	3P+N+E Poles	110V 50-60 Hz	230V 50-60 Hz	400V 50-60 Hz	500V 50-60 Hz	100-300Hz >50V	301-500Hz >50V	Qty	g each
16	5				17642				1	
32	5				17646				1	2060
63	5				17583				1	
16	5				17649				1	
32	5				17652				1	
63	5				17586				1	
16	5				17656				1	
32	5				17660				1	
63	5				17590				1	
16	5				17663				1	
32	5				17666				1	
63	5				17593				1	
16	5				17669				1	
32	5				17672				1	
63	5				17596				1	
63	5				17604				1	

- Without fuse protection

- With fuse base
D01 for 16A and
D02 for 32A and 63A



- With fuse base
DII for 16A and
DIII for 32A and 63A



- With 3-pole C-type MCB



- With C-type MCB and
RCCB 40/0.03A for 16A
and 32A



- With D02 and
RCCB 63/0.03A for 63A



- With load-break switch
NH00



Products with PILOT please add "P" to the ref.no.

PANEL MOUNTING SOCKET OUTLETS, straight

- With screwless Quick-Connect technology
- IEC 60309-1/2, EN 60309, VDE 0623
- Protection degree IP44

Panel Mounting Socket Outlet Quick-Connect

- Screwless terminals
- Kontex contact
- Flange 75 x 75 mm
- Protection degree IP44

Ampere	Poles	110V 50-60 Hz			230V 50-60 Hz			400V 50-60 Hz			500V 50-60 Hz			100-300Hz > 50V			301-500Hz > 50V			Qty	g each
		3pol 4h	4pol 4h	5pol 4h	3pol 6h	4pol 9h	5pol 9h	3pol 9h	4pol 6h	5pol 6h	3pol 7h	4pol 7h	5pol 7h	3pol 10h	4pol 10h	5pol 10h	3pol 2h	4pol 2h	5pol 2h		
16	3	13685	13686	13687	13688	13689	13690	10	105												
16	4	13691	13692	13693	13694	13695	13696	10	120												
16	5	13697	13698	132001	13699	13700	13701	10	135												
32	3	13702	13703	13704	13705	13706	13707	10	165												
32	4	13708	13709	13710	13711	13712	13713	10	185												
32	5	13714	13715	132002	13716	13717	13718	10	220												



Fig.: Type 132001

Ampere	Poles	16	16	16	32	32	32
a	3	75.0	75.0	75.0	75.0	75.0	75.0
b	4	75.0	75.0	75.0	75.0	75.0	75.0
c	5	60.0	60.0	60.0	60.0	60.0	60.0
d	3	60.0	60.0	60.0	60.0	60.0	60.0
e Ø	3	5.5	5.5	5.5	5.5	5.5	5.5
f	4	7.0	7.0	7.0	8.0	8.0	8.0
h	5	35.5	35.5	35.5	50.0	50.0	50.0
i	3	50.0	50.0	51.0	60.0	60.0	60.0
k	3	74.0	84.0	91.0	94.0	94.0	102.0
l Ø	3	45.0	45.0	55.0	60.0	60.0	60.0
m	3	8.0	12.0	16.0	17.0	17.0	22.0
Cond. mm² min		1.5	1.5	1.5	2.5	2.5	2.5
Cond. mm² max		4	4	4	10	10	10

4 MB 263

Panel Mounting Socket Outlet Quick-Connect

- Screwless terminals
- Kontex contact
- Flange 56 x 56 mm for 16A 3p, 60 x 60 mm for 16A 4p
- Protection degree IP44

Ampere	Poles	110V 50-60 Hz			230V 50-60 Hz			400V 50-60 Hz			500V 50-60 Hz			100-300Hz > 50V			301-500Hz > 50V			Qty	g each
		3pol 4h	4pol 4h	5pol 4h	3pol 6h	4pol 9h	5pol 9h	3pol 9h	4pol 6h	5pol 6h	3pol 7h	4pol 7h	5pol 7h	3pol 10h	4pol 10h	5pol 10h	3pol 2h	4pol 2h	5pol 2h		
16	3	13656	13661	13662	13657	13658	13659	13660	10	90											
16	4	13661	13662	13663	13664	13665	13666	10	110												



Fig.: Type 13663

Ampere	Poles	16	16
a	3	56.0	60.0
b	4	56.0	60.0
c	5	44.0	50 - 52
d	3	44.0	50 - 52
e Ø	3	4.4	5.5
f	4	7.0	7.0
h	5	35.5	35.5
i	3	51.0	53.0
k	3	70.0	80.0
l Ø	3	45.0	45.0
m	3	13.0	9.0
Cond. mm² min		1.5	1.5
Cond. mm² max		4	4

4 MB 101

Panel Mounting Socket Outlet Quick-Connect

- Screwless terminals
- Kontex contact
- Flange 62 x 62 mm for 16A 3p, 72 x 65 mm for 16A 4p and 5p
- Protection degree IP44

Ampere	Poles	110V 50-60 Hz			230V 50-60 Hz			400V 50-60 Hz			500V 50-60 Hz			100-300Hz > 50V			301-500Hz > 50V			Qty	g each
		3pol 4h	4pol 4h	5pol 4h	3pol 6h	4pol 9h	5pol 9h	3pol 9h	4pol 6h	5pol 6h	3pol 7h	4pol 7h	5pol 7h	3pol 10h	4pol 10h	5pol 10h	3pol 2h	4pol 2h	5pol 2h		
16	3	13667	13668	13669	13670	13671	13672	10	95												
16	4	13673	13674	13675	13676	13677	13678	10	120												
16	5	13679	13680	13681	13682	13683	13684	10	130												



Fig.: Type 13681

Ampere	Poles	16	16	16
a	3	62.0	72.0	72.0
b	4	62.0	65.0	65.0
c	5	47.0	52.0	52.0
d	3	47.0	52.0	52.0
e Ø	3	5.5	5.5	5.5
f	4	7.0	7.0	7.0
h	5	35.5	35.5	35.5
i	3	51.0	53.0	53.0
k	3	70.0	80.0	85.0
l Ø	3	45.0	45.0	55.0
m	3	10.0	9.0	13.0
Cond. mm² min		1.5	1.5	1.5
Cond. mm² max		4	4	4

4 MB 100

PANEL MOUNTING SOCKET OUTLETS, straight

- With screwless Quick-Connect technology
- IEC 60309-1/2, EN 60309, VDE 0623
- Protection degree IP44

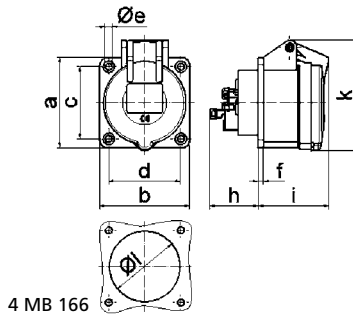
Panel Mounting Socket Outlet Quick-Connect

- Screwless terminals
- Kontex contact
- Flange 70 x 70 mm
- Protection degree IP44

2P+E Amperes		3P+E Poles		3P+N+E Poles		110V 50-60 Hz	230V 50-60 Hz	400V 50-60 Hz	500V 50-60 Hz	100-300Hz > 50V	301-500Hz > 50V	Qty	each
16	5	3pol 4pol 5pol 4h 4h 4h	3pol 4pol 5pol 6h 9h 9h	3pol 4pol 5pol 9h 6h 6h	3pol 4pol 5pol 7h 7h 7h	3pol 4pol 5pol 10h 10h 10h	3pol 4pol 5pol 2h 2h 2h	10	120	10	220		
32	5							13895					
								13896					



Fig.: Type 13895



4 MB 166

Ampere	16	32											
Poles	5	5											
a	70.0	70.0											
b	70.0	70.0											
c	56.0	56.0											
d	56.0	56.0											
e Ø	5.2	5.2											
f	4.0	4.0											
h	35.5	50.0											
i	57.0	66.0											
k	86.0	99.0											
l Ø	55.0	60.0											
Cond. mm² min	1.5	2.5											
Cond. mm² max	4	10											

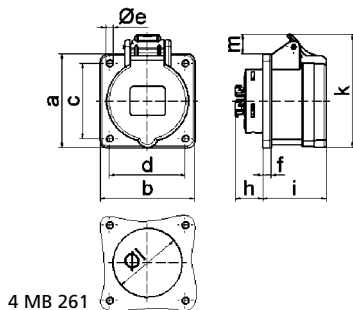
Panel Mounting Socket Outlet Quick-Connect

- Screwless **twin terminal**
- Kontex contact
- Flange 75 x 75 mm
- Suitable for through wiring
- Protection degree IP44

2P+E Amperes		3P+E Poles		3P+N+E Poles		110V 50-60 Hz	230V 50-60 Hz	400V 50-60 Hz	500V 50-60 Hz	100-300Hz > 50V	301-500Hz > 50V	Qty	each
16	5	3pol 4pol 5pol 4h 4h 4h	3pol 4pol 5pol 6h 9h 9h	3pol 4pol 5pol 9h 6h 6h	3pol 4pol 5pol 7h 7h 7h	3pol 4pol 5pol 10h 10h 10h	3pol 4pol 5pol 2h 2h 2h	10	145	10	220		
								130157					



Fig.: Type 130157



4 MB 261

Ampere	16												
Poles	5												
a	75.0												
b	75.0												
c	60.0												
d	60.0												
e Ø	5.5												
f	7.0												
h	23												
i	53.0												
k	85.0												
l Ø	55.0												
m	11.5												
Cond. mm² min	1.5												
Cond. mm² max	4												

PANEL MOUNTING SOCKET OUTLETS, straight

- IEC 60309-1/2, EN 60309, VDE 0623
- Protection degree IP44

Panel Mounting Socket Outlet

- Screw terminals
- Flange 107 x 100 mm
- Kontex contact
- Nickel plated contacts
- Box terminals
- Protection degree IP44

63	3	110V	230V	400V	500V	100-300Hz	301-500Hz	Qty	g
		50-60 Hz	50-60 Hz	50-60 Hz	50-60 Hz	> 50V	> 50V		
		3pol 4pol 5pol	3pol 4pol 5pol	3pol 4pol 5pol	3pol 4pol 5pol	3pol 4pol 5pol	3pol 4pol 5pol		
		4h 4h 4h	6h 9h 9h	9h 6h 6h	7h 7h 7h	10h 10h 10h	2h 2h 2h		
63	3	1306	1307	1308	13592	13254		5	415
63	4	1309	1304	134	1301	13320	13077	5	445
63	5	13140	1305	136	13168	13321	13051	5	490

Products with PILOT please add "P" to the ref.no.



Fig.: Type 136

4 MB 8	Ampere	Poles	63	63	63					
			3	4	5					
	a		107.0	107.0	107.0					
	b		100.0	100.0	100.0					
	c		85.0	85.0	85.0					
	d		77.0	77.0	77.0					
	e ø		6.5	6.5	6.5					
	f		12.0	12.0	12.0					
	h		56.5	56.5	56.5					
	i		77.0	77.0	77.0					
	k		110.0	110.0	110.0					
	l ø		88.0	88.0	88.0					
	m		7.0	7.0	7.0					
	Cond. mm² min		6	6	6					
	Cond. mm² max		25	25	25					

Panel Mounting Socket Outlet Quick-Connect

- Screwless terminals
- Flange 107 x 100 mm
- High-temperature-resistant contact carrier
- Kontex contact
- Nickel plated contacts
- Box terminals
- Protection degree IP44

63	4	110V	230V	400V	500V	100-300Hz	301-500Hz	Qty	g
		50-60 Hz	50-60 Hz	50-60 Hz	50-60 Hz	> 50V	> 50V		
		3pol 4pol 5pol	3pol 4pol 5pol	3pol 4pol 5pol	3pol 4pol 5pol	3pol 4pol 5pol	3pol 4pol 5pol		
		4h 4h 4h	6h 9h 9h	9h 6h 6h	7h 7h 7h	10h 10h 10h	2h 2h 2h		
63	4			130130	130153			5	550
63	5			130114				5	600



Fig.: Type 130114

4 MB 265	Ampere	Poles	63	63					
			4	5					
	a		107.0	107.0					
	b		100.0	100.0					
	c		85.0	85.0					
	d		77.0	77.0					
	e ø		6.5	6.5					
	f		12.0	12.0					
	h		67.0	67.0					
	i		77.0	77.0					
	k		110.0	110.0					
	l ø		88.0	88.0					
	m		7.0	7.0					
	Cond. mm² min		6	6					
	Cond. mm² max		25	25					

PANEL MOUNTING SOCKET OUTLETS, angled

- With screwless Quick-Connect technology
- IEC 60309-1/2, EN 60309, VDE 0623
- Protection degree IP44

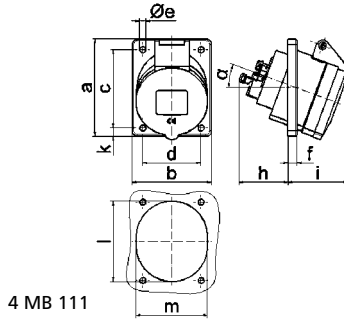
Panel Mounting Socket Outlet Quick-Connect

- Screwless terminals
- 20° angled
- Kontex contact
- Flange 68 x 62 mm for 16A 3p, 87 x 71 mm for 16A 4p and 5p
- Protection degree IP44

Ampere	Poles	110V 50-60 Hz	230V 50-60 Hz	400V 50-60 Hz	500V 50-60 Hz	100-300Hz > 50V	301-500Hz > 50V	Qty	each
		3pol 4pol 5pol 4h 4h 4h	3pol 4pol 5pol 6h 9h 9h	3pol 4pol 5pol 9h 6h 6h	3pol 4pol 5pol 7h 7h 7h	3pol 4pol 5pol 10h 10h 10h	3pol 4pol 5pol 2h 2h 2h		
16	3	12731	12732					10	95
16	4	12733	12734	12735	12736			10	120
16	5	12739	12740	12741	12742			10	140



Fig.: Type 12741



4 MB 111

Ampere	16	16	16						
Poles	3	4	5						
a	68.0	87.0	87.0						
b	62.0	71.0	71.0						
c	47.0	70.0	70.0						
d	47.0	52.0	52.0						
e Ø	5.5	5.5	5.5						
f	8.0	5.5	5.5						
h	46.0	46.0	46.0						
i	50.0	54.0	54.0						
k	-	9.5	9.5						
l	56.0	65.0	72.0						
m	51.0	58.0	64.0						
α	20°	20°	20°						
Cond. mm² min	1.5	1.5	1.5						
Cond. mm² max	4	4	4						

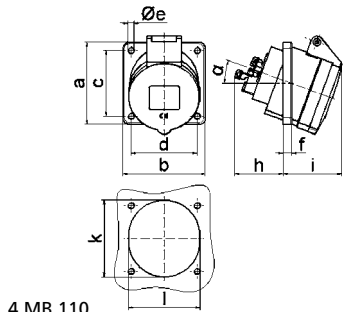
Panel Mounting Socket Outlet Quick-Connect

- Screwless terminals
- 20° angled
- Kontex contact
- Flange 75 x 75 mm
- Protection degree IP44

Ampere	Poles	110V 50-60 Hz	230V 50-60 Hz	400V 50-60 Hz	500V 50-60 Hz	100-300Hz > 50V	301-500Hz > 50V	Qty	each
		3pol 4pol 5pol 4h 4h 4h	3pol 4pol 5pol 6h 9h 9h	3pol 4pol 5pol 9h 6h 6h	3pol 4pol 5pol 7h 7h 7h	3pol 4pol 5pol 10h 10h 10h	3pol 4pol 5pol 2h 2h 2h		
16	5	12743	12744	122001	12745	12746	12747	10	135



Fig.: Type 122001



4 MB 110

Ampere	16								
Poles	5								
a	75.0								
b	75.0								
c	60.0								
d	60.0								
e Ø	5.5								
f	8.0								
h	46.0								
i	54.0								
k	70.0								
l	65.0								
α	20°								
Cond. mm² min	1.5								
Cond. mm² max	4								

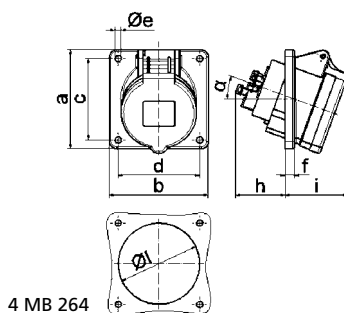
Panel Mounting Socket Outlet Quick-Connect

- Screwless terminals
- 20° angled
- Kontex contact
- Flange 85 x 85 mm
- Protection degree IP44

Ampere	Poles	110V 50-60 Hz	230V 50-60 Hz	400V 50-60 Hz	500V 50-60 Hz	100-300Hz > 50V	301-500Hz > 50V	Qty	each
		3pol 4pol 5pol 4h 4h 4h	3pol 4pol 5pol 6h 9h 9h	3pol 4pol 5pol 9h 6h 6h	3pol 4pol 5pol 7h 7h 7h	3pol 4pol 5pol 10h 10h 10h	3pol 4pol 5pol 2h 2h 2h		
16	3	12748	12749	12750	12751	12861	12752	10	120
16	4	12862	12863	12753	12864	12754	12865	10	135
16	5	12755	12756	12757	12758	12866	12759	10	145
32	3	12760	12761	12867	12762	12868	12869	10	180
32	4	12870	12763	12764	12765	12871	12872	10	200
32	5	12766	12767	12768	12769	12770	12873	10	235



Fig.: Type 12757



4 MB 264

Ampere	16	16	16	32	32	32			
Poles	3	4	5	3	4	5			
a	85.0	85.0	85.0	85.0	85.0	85.0			
b	85.0	85.0	85.0	85.0	85.0	85.0			
c	70.0	70.0	70.0	70.0	70.0	70.0			
d	70.0	70.0	70.0	70.0	70.0	70.0			
e Ø	5.5	5.5	5.5	5.5	5.5	5.5			
f	8.0	8.0	8.0	8.0	8.0	8.0			
h	46.0	46.0	46.0	61.0	61.0	61.0			
i	50.0	51.0	54.0	60.0	60.0	60.0			
l Ø	57.0	65.0	70.0	78.0	78.0	78.0			
α	20°	20°	20°	20°	20°	20°			
Cond. mm² min	1.5	1.5	1.5	2.5	2.5	2.5			
Cond. mm² max	4	4	4	10	10	10			

PANEL MOUNTING SOCKET OUTLETS, angled

- With screwless Quick-Connect technology
- IEC 60309-1/2, EN 60309, VDE 0623
- Protection degree IP44

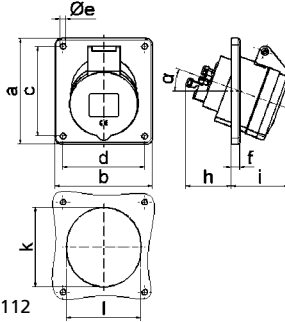
Panel Mounting Socket Outlet Quick-Connect

- Screwless terminals
- 20° angled
- Kontex contact
- Flange 74 x 62 mm for 16A 3p, 100 x 92 mm for the other versions
- Protection degree IP44

Ampere	Poles	110V 50-60 Hz	230V 50-60 Hz	400V 50-60 Hz	500V 50-60 Hz	100-300Hz > 50V	301-500Hz > 50V	Qty	g each
		3pol 4pol 5pol 4h 4h 4h	3pol 4pol 5pol 6h 9h 9h	3pol 4pol 5pol 9h 6h 6h	3pol 4pol 5pol 7h 7h 7h	3pol 4pol 5pol 10h 10h 10h	3pol 4pol 5pol 2h 2h 2h		
16	3	12771	12772	12773	12774	12775	12776	10	100
16	4	12777	12778	12779	12780	12781	12782	10	140
16	5	12783	12784	12730	12785	12786	12787	10	160
32	3	12788	12789	12790	12874	12791	12792	10	200
32	4	12793	12794	12795	12796	12797	12798	10	210
32	5	12799	12800	12801	12802	12803	12804	10	240



Fig.: Type 12730



4 MB 112

Ampere Poles	16 3	16 4	16 5	32 3	32 4	32 5
a	74.0	100.0	100.0	100.0	100.0	100.0
b	62.0	92.0	92.0	92.0	92.0	92.0
c	60.0	85.0	85.0	85.0	85.0	85.0
d	52.0	77.0	77.0	77.0	77.0	77.0
e ø	5.5	5.5	5.5	5.5	5.5	5.5
f	8.0	8.0	8.0	8.0	8.0	8.0
h	46.0	46.0	46.0	61.0	61.0	61.0
i	48.0	50.0	55.0	68.0	68.0	60.0
k	57.0	65.0	70.0	75.0	75.0	78.0
l	52.0	65.0	70.0	75.0	75.0	78.0
α	20°	20°	20°	20°	20°	20°
Cond. mm² min	1.5	1.5	1.5	2.5	2.5	2.5
Cond. mm² max	4	4	4	10	10	10

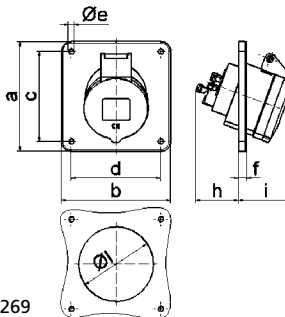
Panel Mounting Socket Outlet Quick-Connect

- Screwless terminals
- 20° angled
- Kontex contact
- Flange 110 x 110 mm
- Protection degree IP44

Ampere	Poles	110V 50-60 Hz	230V 50-60 Hz	400V 50-60 Hz	500V 50-60 Hz	100-300Hz > 50V	301-500Hz > 50V	Qty	g each
		3pol 4pol 5pol 4h 4h 4h	3pol 4pol 5pol 6h 9h 9h	3pol 4pol 5pol 9h 6h 6h	3pol 4pol 5pol 7h 7h 7h	3pol 4pol 5pol 10h 10h 10h	3pol 4pol 5pol 2h 2h 2h		
16	5			12805				10	185
32	5			12806				10	260



Fig.: Type 12805



4 MB 269

Ampere Poles	16 5	32 5
a	110.0	110.0
b	110.0	110.0
c	90.0	90.0
d	90.0	90.0
e ø	5.5	5.5
f	8.0	8.0
h	46.0	61.0
i	56.0	60.0
l ø	75.0	78.0
Cond. mm² min	1.5	2.5
Cond. mm² max	4	10

PANEL MOUNTING SOCKET OUTLETS, angled

- IEC 60309-1/2, EN 60309, VDE 0623
- Protection degree IP44

Panel Mounting Socket Outlet

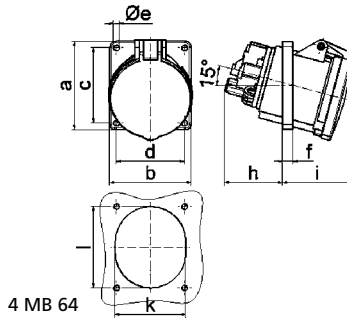
- Screw terminals
- 15° angled
- Flange 100 x 92 mm
- Kontex contact
- Box terminals
- Nickel plated contacts
- Protection degree IP44

3		4		5		110V 50-60 Hz		230V 50-60 Hz		400V 50-60 Hz		500V 50-60 Hz		100-300Hz >50V		301-500Hz >50V		Qty	g
2P+E Ampere	3P+E Poles	3P+N+E Poles	3pol 4h	4pol 4h	5pol 4h	3pol 6h	4pol 9h	5pol 9h	3pol 9h	4pol 6h	5pol 6h	3pol 7h	4pol 7h	5pol 7h	3pol 10h	4pol 10h	5pol 10h		each
63	3																	10	415
63	4																	10	430
63	5																	10	475

Products with PILOT please add "P" to the ref.no.



Fig.: Type 12567



4 MB 64

Ampere	63	63	63
Poles	3	4	5
a	100.0	100.0	100.0
b	92.0	92.0	92.0
c	85.0	85.0	85.0
d	77.0	77.0	77.0
e ø	6.5	6.5	6.5
f	12.0	12.0	12.0
h	65.0	65.0	65.0
i	81.0	81.0	81.0
k	80.0	80.0	80.0
l	92.0	92.0	92.0
Cond. mm² min	6	6	6
Cond. mm² max	25	25	25

Panel Mounting Socket Outlet

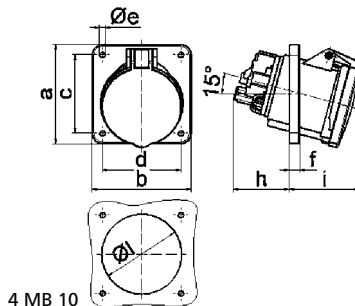
- Screw terminals
- 15° angled
- Flange 114 x 114 mm
- Kontex contact
- Box terminals
- Nickel plated contacts
- Protection degree IP44

3		4		5		110V 50-60 Hz		230V 50-60 Hz		400V 50-60 Hz		500V 50-60 Hz		100-300Hz >50V		301-500Hz >50V		Qty	g
2P+E Ampere	3P+E Poles	3P+N+E Poles	3pol 4h	4pol 4h	5pol 4h	3pol 6h	4pol 9h	5pol 9h	3pol 9h	4pol 6h	5pol 6h	3pol 7h	4pol 7h	5pol 7h	3pol 10h	4pol 10h	5pol 10h		each
63	3																	5	420
63	4																	5	460
63	5																	5	500

Products with PILOT please add "P" to the ref.no.



Fig.: Type 1202



4 MB 10

Ampere	63	63	63
Poles	3	4	5
a	114.0	114.0	114.0
b	114.0	114.0	114.0
c	90.0	90.0	90.0
d	90.0	90.0	90.0
e ø	6.5	6.5	6.5
f	12.0	12.0	12.0
h	65.0	65.0	65.0
i	81.0	81.0	81.0
l	92.0	92.0	92.0
Cond. mm² min	6	6	6
Cond. mm² max	25	25	25

Panel Mounting Socket Outlet Quick-Connect

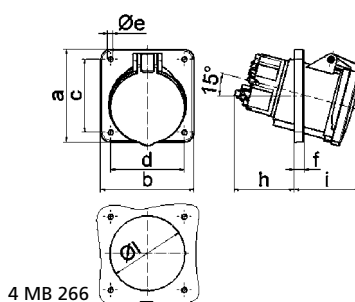
- Screwless terminals
- 15° angled
- Flange 114 x 114 mm
- High-temperature-resistant contact carrier
- Kontex contact
- Nickel plated contacts
- Box terminals
- Protection degree IP44

3		4		5		110V 50-60 Hz		230V 50-60 Hz		400V 50-60 Hz		500V 50-60 Hz		100-300Hz >50V		301-500Hz >50V		Qty	g
2P+E Ampere	3P+E Poles	3P+N+E Poles	3pol 4h	4pol 4h	5pol 4h	3pol 6h	4pol 9h	5pol 9h	3pol 9h	4pol 6h	5pol 6h	3pol 7h	4pol 7h	5pol 7h	3pol 10h	4pol 10h	5pol 10h		each
63	4																	5	570
63	5																	5	620

Products with PILOT please add "P" to the ref.no.



Fig.: Type 120306



4 MB 266

Ampere	63	63
Poles	4	5
a	114.0	114.0
b	114.0	114.0
c	90.0	90.0
d	90.0	90.0
e ø	6.5	6.5
f	12.0	12.0
h	74.0	74.0
i	81.0	81.0
l ø	92.0	92.0
Cond. mm² min	6	6
Cond. mm² max	25	25

PANEL MOUNTING SOCKET OUTLETS, straight

- With screwless Quick-Connect technology
- IEC 60309-1/2, EN 60309, VDE 0623
- Protection degree IP67

Panel Mounting Socket Outlet Quick-Connect

- Screwless terminals
- Kontex contact
- Flange 62 x 62 mm for 16A 3p, 72 x 65 mm for 16A 4p and 5p
- Protection degree IP67

Ampere	Poles	110V 50-60 Hz			230V 50-60 Hz			400V 50-60 Hz			500V 50-60 Hz			100-300Hz > 50V			301-500Hz > 50V			Qty	each
		3pol 4h	4pol 4h	5pol 4h	3pol 6h	4pol 9h	5pol 9h	3pol 9h	4pol 6h	5pol 6h	3pol 7h	4pol 7h	5pol 7h	3pol 10h	4pol 10h	5pol 10h	3pol 2h	4pol 2h	5pol 2h		
16	3																		10	120	
16	4																		10	150	
16	5																		10	170	



Fig.: Type 13732

Ampere Poles	16			16			16		
	3	4	5	3	4	5	3	4	5
a	62.0	72.0	72.0						
b	62.0	65.0	65.0						
c	47.0	52.0	52.0						
d	47.0	52.0	52.0						
e ø	5.5	5.5	5.5						
f	7.0	7.0	7.0						
h	35.5	35.5	35.5						
i	57.0	58.0	57.0						
k	76.0	83.0	93.0						
l ø	45.0	45.0	55.0						
m	10.0	9.0	13.0						
Cond. mm² min	1.5	1.5	1.5						
Cond. mm² max	4	4	4						

4 MB 104

Panel Mounting Socket Outlet Quick-Connect

- Screwless terminals
- Kontex contact
- Flange 75 x 75 mm
- Protection degree IP67

Ampere	Poles	110V 50-60 Hz			230V 50-60 Hz			400V 50-60 Hz			500V 50-60 Hz			100-300Hz > 50V			301-500Hz > 50V			Qty	each
		3pol 4h	4pol 4h	5pol 4h	3pol 6h	4pol 9h	5pol 9h	3pol 9h	4pol 6h	5pol 6h	3pol 7h	4pol 7h	5pol 7h	3pol 10h	4pol 10h	5pol 10h	3pol 2h	4pol 2h	5pol 2h		
16	3																		10	130	
16	4																		10	145	
16	5																		10	160	
32	3																		10	210	
32	4																		10	225	
32	5																		10	265	



Fig.: Type 13745

Ampere Poles	16			16			16			32			32			32			
	3	4	5	3	4	5	3	4	5	3	4	5	3	4	5	3	4	5	
a	75.0	75.0	75.0	75.0	75.0	75.0	75.0	75.0	75.0	75.0	75.0	75.0	75.0	75.0	75.0	75.0	75.0	75.0	75.0
b	75.0	75.0	75.0	75.0	75.0	75.0	75.0	75.0	75.0	75.0	75.0	75.0	75.0	75.0	75.0	75.0	75.0	75.0	75.0
c	60.0	60.0	60.0	60.0	60.0	60.0	60.0	60.0	60.0	60.0	60.0	60.0	60.0	60.0	60.0	60.0	60.0	60.0	60.0
d	60.0	60.0	60.0	60.0	60.0	60.0	60.0	60.0	60.0	60.0	60.0	60.0	60.0	60.0	60.0	60.0	60.0	60.0	60.0
e ø	5.5	5.5	5.5	5.5	5.5	5.5	5.5	5.5	5.5	5.5	5.5	5.5	5.5	5.5	5.5	5.5	5.5	5.5	5.5
f	7.0	7.0	7.0	7.0	7.0	7.0	8.0	8.0	8.0	8.0	8.0	8.0	8.0	8.0	8.0	8.0	8.0	8.0	8.0
h	35.5	35.5	35.5	50.0	50.0	50.0	50.0	50.0	50.0	50.0	50.0	50.0	50.0	50.0	50.0	50.0	50.0	50.0	50.0
i	57.0	58.0	57.0	65.0	65.0	65.0	65.0	65.0	65.0	65.0	65.0	65.0	65.0	65.0	65.0	65.0	65.0	65.0	65.0
k	76.0	83.0	93.0	100.0	100.0	100.0	106.0	106.0	106.0	106.0	106.0	106.0	106.0	106.0	106.0	106.0	106.0	106.0	106.0
l ø	45.0	45.0	55.0	60.0	60.0	60.0	60.0	60.0	60.0	60.0	60.0	60.0	60.0	60.0	60.0	60.0	60.0	60.0	60.0
m	3.5	7.0	11.5	12.0	12.0	12.0	17.0	17.0	17.0	17.0	17.0	17.0	17.0	17.0	17.0	17.0	17.0	17.0	17.0
Cond. mm² min	1.5	1.5	1.5	2.5	2.5	2.5	2.5	2.5	2.5	2.5	2.5	2.5	2.5	2.5	2.5	2.5	2.5	2.5	2.5
Cond. mm² max	4	4	4	10	10	10	10	10	10	10	10	10	10	10	10	10	10	10	10

4 MB 105

Panel Mounting Socket Outlet Quick-Connect

- Screwless **twin terminal**
- Kontex contact
- Flange 75 x 75 mm
- Protection degree IP67

Ampere	Poles	110V 50-60 Hz			230V 50-60 Hz			400V 50-60 Hz			500V 50-60 Hz			100-300Hz > 50V			301-500Hz > 50V			Qty	each
		3pol 4h	4pol 4h	5pol 4h	3pol 6h	4pol 9h	5pol 9h	3pol 9h	4pol 6h	5pol 6h	3pol 7h	4pol 7h	5pol 7h	3pol 10h	4pol 10h	5pol 10h	3pol 2h	4pol 2h	5pol 2h		
16	5																		10	205	



Fig.: Type 130158

Ampere Poles	16			16			16		
	5	5	5	5	5	5	5	5	5
a	75.0								
b	75.0								
c	60.0								
d	60.0								
e ø	5.5								
f	7.0								
h	23.0								
i	57.0								
k	93.0								
l ø	55.0								
m	11.5								
Cond. mm² min	1.5								
Cond. mm² max	4								

4 MB 262

PANEL MOUNTING SOCKET OUTLETS, straight

- IEC 60309-1/2, EN 60309, VDE 0623
- Protection degree IP67

Panel Mounting Socket Outlet

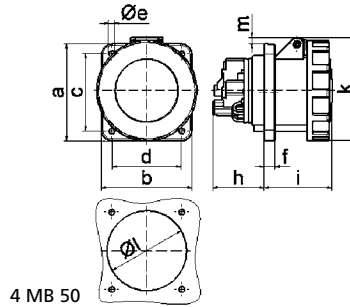
- Screw terminals
- Flange 107 x 100 mm
- Kontex contact
- Nickel plated contacts
- Box terminals
- Protection degree IP67

Ampere	Poles	110V	230V	400V	500V	100-300Hz	301-500Hz	Qty	each
		50-60 Hz	50-60 Hz	50-60 Hz	50-60 Hz	> 50V	> 50V		
63	3	1395	1396	1397				5	460
63	4	1398	1399	13100	13101			5	490
63	5	13102	13103	13104				5	535

Products with PILOT please add "P" to the ref.no.



Fig.: Type 13104



4 MB 50

Ampere	63	63	63						
Poles	3	4	5						
a	107.0	107.0	107.0						
b	100.0	100.0	100.0						
c	85.0	85.0	85.0						
d	77.0	77.0	77.0						
e ø	6.5	6.5	6.5						
f	12.0	12.0	12.0						
h	56.5	56.5	56.5						
i	76.0	76.0	76.0						
k	113.0	113.0	113.0						
l ø	88.0	88.0	88.0						
m	7.0	7.0	7.0						
Cond. mm² min	6	6	6						
Cond. mm² max	25	25	25						

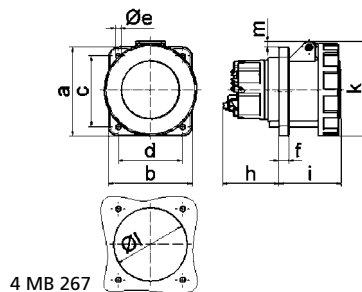
Panel Mounting Socket Outlet Quick-Connect

- Screwless terminals
- Flange 107 x 100 mm
- High-temperature-resistant contact carrier
- Kontex contact
- Nickel plated contacts
- Box terminals
- Protection degree IP67

Ampere	Poles	110V	230V	400V	500V	100-300Hz	301-500Hz	Qty	each
		50-60 Hz	50-60 Hz	50-60 Hz	50-60 Hz	> 50V	> 50V		
63	4			130131	130154			5	565
63	5			130119				5	665



Fig.: Type 130119



4 MB 267

Ampere	63	63							
Poles	4	5							
a	107.0	107.0							
b	100.0	100.0							
c	85.0	85.0							
d	77.0	77.0							
e ø	6.5	6.5							
f	12.0	12.0							
h	67.0	67.0							
i	76.0	76.0							
k	113.0	113.0							
l ø	88.0	88.0							
m	7.0	7.0							
Cond. mm² min	6	6							
Cond. mm² max	25	25							

PANEL MOUNTING SOCKET OUTLETS, straight

- IEC 60309-1/2, EN 60309, VDE 0623
- Protection degree IP67

Panel Mounting Socket Outlet

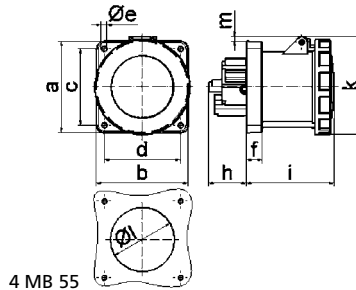
- Screw terminals
- Flange 120 x 120 mm
- High-temperature-resistant contact carrier
- Kontex contact
- Nickel plated contacts
- Box terminals
- Protection degree IP67

Ampere	Poles	110V 50-60 Hz	230V 50-60 Hz	400V 50-60 Hz	500V 50-60 Hz	100-300Hz > 50V	301-500Hz > 50V	Qty	g each
		3pol 4pol 5pol 4h 4h 4h	3pol 4pol 5pol 6h 9h 9h	3pol 4pol 5pol 9h 6h 6h	3pol 4pol 5pol 7h 7h 7h	3pol 4pol 5pol 10h 10h 10h	3pol 4pol 5pol 2h 2h 2h		
125	3	13445	13452					5	930
125	4		13449	13447	13448			5	1005
125	5			13451				5	1125

Products with PILOT please add "P" to the ref.no.



Fig.: Type 13451



4 MB 55

Ampere Poles	125 3	125 4	125 5
a	120.0	120.0	120.0
b	120.0	120.0	120.0
c	100.0	100.0	100.0
d	100.0	100.0	100.0
e ø	6.5	6.5	6.5
f	21.0	21.0	21.0
h	50.0	50.0	50.0
i	117.0	117.0	117.0
k	129.0	129.0	129.0
l ø	104.0	104.0	104.0
m	6.0	6.0	6.0
Cond. mm² min	25	25	25
Cond. mm² max	70	70	70

Panel Mounting Socket Outlet

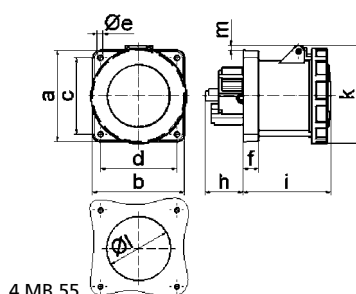
- Screw terminals
- Flange 130 x 130 mm
- High-temperature-resistant contact carrier
- Kontex contact
- Nickel plated contacts
- Box terminals
- Protection degree IP67

Ampere	Poles	110V 50-60 Hz	230V 50-60 Hz	400V 50-60 Hz	500V 50-60 Hz	100-300Hz > 50V	301-500Hz > 50V	Qty	g each
		3pol 4pol 5pol 4h 4h 4h	3pol 4pol 5pol 6h 9h 9h	3pol 4pol 5pol 9h 6h 6h	3pol 4pol 5pol 7h 7h 7h	3pol 4pol 5pol 10h 10h 10h	3pol 4pol 5pol 2h 2h 2h		
125	3		13434					5	965
125	4		13442	13435	13515			5	1040
125	5			13436				5	1140

Products with PILOT please add "P" to the ref.no.



Fig.: Type 13436



4 MB 55

Ampere Poles	125 3	125 4	125 5
a	130.0	130.0	130.0
b	130.0	130.0	130.0
c	104.0	104.0	104.0
d	104.0	104.0	104.0
e ø	6.5	6.5	6.5
f	21.0	21.0	21.0
h	50.0	50.0	50.0
i	117.0	117.0	117.0
k	129.0	129.0	129.0
l ø	104.0	104.0	104.0
m	1.0	1.0	1.0
Cond. mm² min	25	25	25
Cond. mm² max	70	70	70

PANEL MOUNTING SOCKET OUTLETS, angled

- With screwless Quick-Connect technology
- IEC 60309-1/2, EN 60309, VDE 0623
- Protection degree IP67

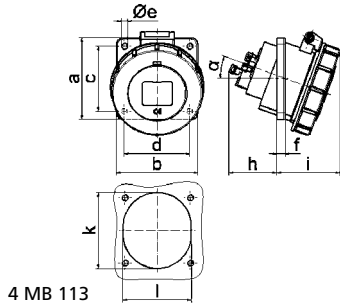
Panel Mounting Socket Outlet Quick-Connect

- Screwless terminals
- 20° angled
- Kontex contact
- Flange 68 x 62 mm for 16A 3p, 75 x 75 mm for 16A 5p
- Protection degree IP67

2P+E 3P+E		3P+N+E		110V 50-60 Hz	230V 50-60 Hz	400V 50-60 Hz	500V 50-60 Hz	100-300Hz > 50V	301-500Hz > 50V	Qty	each
Amperes	Poles	3pol 4pol 5pol 4h 4h 4h	3pol 4pol 5pol 6h 9h 9h	3pol 4pol 5pol 9h 6h 6h	3pol 4pol 5pol 7h 7h 7h	3pol 4pol 5pol 10h 10h 10h	3pol 4pol 5pol 2h 2h 2h				
16	3	12808	12809							10	125
16	5	12810	12811	12812						10	



Fig.: Type 12812



4 MB 113

Ampere Poles	16 3	16 5				
a	68.0	75.0				
b	62.0	75.0				
c	47.0	60.0				
d	47.0	60.0				
e ø	5.5	5.5				
f	8.0	5.5				
h	46.0	46.0				
i	57.0	60.0				
k	56.0	70.0				
l	51.0	63.0				
α	20°	20°				
Cond. mm² min	1.5	1.5				
Cond. mm² max	4	4				

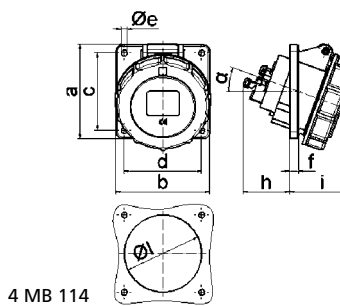
Panel Mounting Socket Outlet Quick-Connect

- Screwless terminals
- 20° angled
- Kontex contact
- Flange 85 x 85 mm
- Protection degree IP67

2P+E 3P+E		3P+N+E		110V 50-60 Hz	230V 50-60 Hz	400V 50-60 Hz	500V 50-60 Hz	100-300Hz > 50V	301-500Hz > 50V	Qty	each
Amperes	Poles	3pol 4pol 5pol 4h 4h 4h	3pol 4pol 5pol 6h 9h 9h	3pol 4pol 5pol 9h 6h 6h	3pol 4pol 5pol 7h 7h 7h	3pol 4pol 5pol 10h 10h 10h	3pol 4pol 5pol 2h 2h 2h				
16	3	12917	12813							10	150
16	4		12929	12814	12930					10	170
16	5	12815	12816	12817						10	200
32	3	12818	12819							10	230
32	4		12820	12821	12931					10	255
32	5	12822	12823	12824						10	310



Fig.: Type 12817



4 MB 114

Ampere Poles	16 3	16 4	16 5	32 3	32 4	32 5
a	85.0	85.0	85.0	85.0	85.0	85.0
b	85.0	85.0	85.0	85.0	85.0	85.0
c	70.0	70.0	70.0	70.0	70.0	70.0
d	70.0	70.0	70.0	70.0	70.0	70.0
e ø	5.5	5.5	5.5	5.5	5.5	5.5
f	8.0	8.0	8.0	8.0	8.0	8.0
h	46.0	46.0	46.0	61.0	61.0	61.0
i	57.0	57.0	60.0	65.0	65.0	69.0
l ø	57.0	65.0	70.0	78.0	78.0	78.0
α	20°	20°	20°	20°	20°	20°
Cond. mm² min	1.5	1.5	1.5	2.5	2.5	2.5
Cond. mm² max	4	4	4	10	10	10

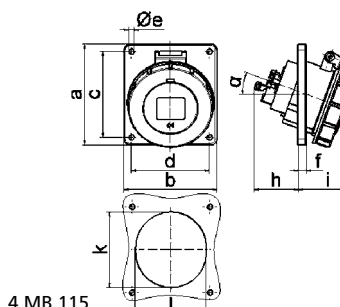
Panel Mounting Socket Outlet Quick-Connect

- Screwless terminals
- 20° angled
- Kontex contact
- Flange 74 x 62 mm for 16A 3p, 100 x 92 mm for the other versions
- Protection degree IP67

2P+E 3P+E		3P+N+E		110V 50-60 Hz	230V 50-60 Hz	400V 50-60 Hz	500V 50-60 Hz	100-300Hz > 50V	301-500Hz > 50V	Qty	each
Amperes	Poles	3pol 4pol 5pol 4h 4h 4h	3pol 4pol 5pol 6h 9h 9h	3pol 4pol 5pol 9h 6h 6h	3pol 4pol 5pol 7h 7h 7h	3pol 4pol 5pol 10h 10h 10h	3pol 4pol 5pol 2h 2h 2h				
16	3	12825	12826							10	125
16	4	12831	12832	12833	12834	12835	12836			10	175
16	5	12837	12838	12839	12840	12841	12842			10	195
32	3	12843	12844							10	215
32	4	12846	12847	12848	12849	12850	12851			10	240
32	5	12852	12853	12854	12855	12856	12857			10	285



Fig.: Type 12839



4 MB 115

Ampere Poles	16 3	16 4	16 5	32 3	32 4	32 5
a	74.0	100.0	100.0	100.0	100.0	100.0
b	62.0	92.0	92.0	92.0	92.0	92.0
c	60.0	85.0	85.0	85.0	85.0	85.0
d	52.0	77.0	77.0	77.0	77.0	77.0
e ø	5.5	5.5	5.5	5.5	5.5	5.5
f	8.0	8.0	8.0	8.0	8.0	8.0
h	46.0	46.0	46.0	61.0	61.0	61.0
i	57.0	57.0	60.0	65.0	65.0	69.0
k	57.0	65.0	70.0	75.0	75.0	78.0
l	52.0	65.0	70.0	75.0	75.0	78.0
α	20°	20°	20°	20°	20°	20°
Cond. mm² min	1.5	1.5	1.5	2.5	2.5	2.5
Cond. mm² max	4	4	4	10	10	10

PANEL MOUNTING SOCKET OUTLETS, angled

- IEC 60309-1/2, EN 60309, VDE 0623
- Protection degree IP67

Panel Mounting Socket Outlet

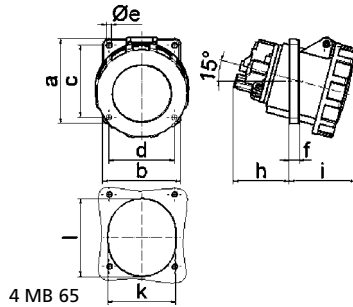
- Screw terminals
- 15° angled
- Flange 100 x 92 mm
- Kontex contact
- Nickel plated contacts
- Box terminals
- Protection degree IP67

Ampere	Poles	110V 50-60 Hz			230V 50-60 Hz			400V 50-60 Hz			500V 50-60 Hz			100-300Hz > 50V			301-500Hz > 50V			Qty	g each
		3pol 4h	4pol 4h	5pol 4h	3pol 6h	4pol 9h	5pol 9h	3pol 9h	4pol 6h	5pol 6h	3pol 7h	4pol 7h	5pol 7h	3pol 10h	4pol 10h	5pol 10h	3pol 2h	4pol 2h	5pol 2h		
63	3				12569												10	445			
63	4				12032			12570			12571						10	480			
63	5	12572			12573			12574									10	525			

Products with PILOT please add "P" to the ref.no.



Fig.: Type 12574



4 MB 65

Ampere	63	63	63			
Poles	3	4	5			
a	100.0	100.0	100.0			
b	92.0	92.0	92.0			
c	85.0	85.0	85.0			
d	77.0	77.0	77.0			
e ø	6.5	6.5	6.5			
f	12.0	12.0	12.0			
h	65.0	65.0	65.0			
i	80.0	80.0	80.0			
k	80.0	80.0	80.0			
l	92.0	92.0	92.0			
Cond. mm² min	6	6	6			
Cond. mm² max	25	25	25			

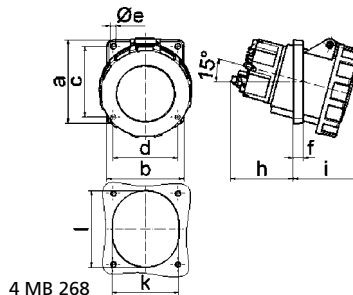
Panel Mounting Socket Outlet Quick-Connect TE

- Screwless terminals
- 15° angled
- Flange 100 x 92 mm
- High-temperature-resistant contact carrier
- Kontex contact
- Nickel plated contacts
- Box terminals
- Protection degree IP67

Ampere	Poles	110V 50-60 Hz			230V 50-60 Hz			400V 50-60 Hz			500V 50-60 Hz			100-300Hz > 50V			301-500Hz > 50V			Qty	g each
		3pol 4h	4pol 4h	5pol 4h	3pol 6h	4pol 9h	5pol 9h	3pol 9h	4pol 6h	5pol 6h	3pol 7h	4pol 7h	5pol 7h	3pol 10h	4pol 10h	5pol 10h	3pol 2h	4pol 2h	5pol 2h		
63	4							120320			120342						10	630			
63	5							120274									10	645			



Fig.: Type 120274



4 MB 268

Ampere	63	63				
Poles	4	5				
a	100.0	100.0				
b	92.0	92.0				
c	85.0	85.0				
d	77.0	77.0				
e ø	6.5	6.5				
f	12.0	12.0				
h	74.0	74.0				
i	80.0	80.0				
k	80.0	80.0				
l	92.0	92.0				
Cond. mm² min	6	6				
Cond. mm² max	25	25				

PANEL MOUNTING SOCKET OUTLETS, angled

- IEC 60309-1/2, EN 60309, VDE 0623
- Protection degree IP67

Panel Mounting Socket Outlet

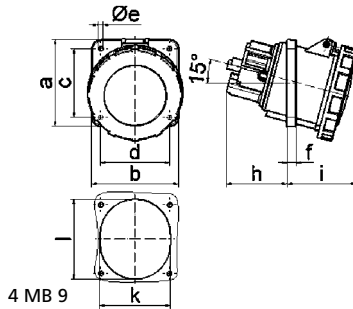
- Screw terminals
- 15° angled
- Flange 114 x 114 mm
- Kontex contact
- Nickel plated contacts
- Box terminals
- Protection degree IP67

		110V 50-60 Hz	230V 50-60 Hz	400V 50-60 Hz	500V 50-60 Hz	100-300Hz > 50V	301-500Hz > 50V	Qty	each
2P+E Ampere	3P+E Poles	3pol 4pol 5pol 4h 4h 4h	3pol 4pol 5pol 6h 9h 9h	3pol 4pol 5pol 9h 6h 6h	3pol 4pol 5pol 7h 7h 7h	3pol 4pol 5pol 10h 10h 10h	3pol 4pol 5pol 2h 2h 2h	5	475
63	3	12000	12001	12002				5	475
63	4	12003	1205	1200	1203	12035	12233	5	510
63	5	12004	1206	129	12039	12389	12171	5	550

Products with PILOT please add "P" to the ref.no.



Fig.: Type 129



Ampere Poles	63	63	63
a	114.0	114.0	114.0
b	114.0	114.0	114.0
c	90.0	90.0	90.0
d	90.0	90.0	90.0
e Ø	6.5	6.5	6.5
f	12.0	12.0	12.0
h	65.0	65.0	65.0
i	80.0	80.0	80.0
k	92.0	92.0	92.0
l	92.0	92.0	92.0
Cond. mm² min	6	6	6
Cond. mm² max	25	25	25

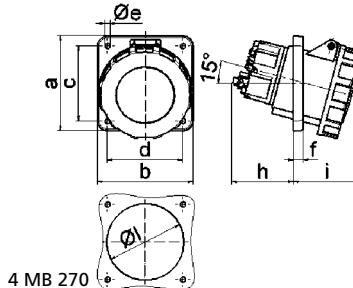
Panel Mounting Socket Outlet Quick-Connect TE

- Screwless terminals
- 15° angled
- Flange 114 x 114 mm
- High-temperature-resistant contact carrier
- Kontex contact
- Nickel plated contacts
- Box terminals
- Protection degree IP67

		110V 50-60 Hz	230V 50-60 Hz	400V 50-60 Hz	500V 50-60 Hz	100-300Hz > 50V	301-500Hz > 50V	Qty	each
2P+E Ampere	3P+E Poles	3pol 4pol 5pol 4h 4h 4h	3pol 4pol 5pol 6h 9h 9h	3pol 4pol 5pol 9h 6h 6h	3pol 4pol 5pol 7h 7h 7h	3pol 4pol 5pol 10h 10h 10h	3pol 4pol 5pol 2h 2h 2h	5	625
63	4			120322	120387			5	625
63	5			120307				5	670



Fig.: Type 120307



Ampere Poles	63	63
a	114.0	114.0
b	114.0	114.0
c	90.0	90.0
d	90.0	90.0
e Ø	6.5	6.5
f	12.0	12.0
h	74.0	74.0
i	80.0	80.0
l Ø	92.0	92.0
Cond. mm² min	6	6
Cond. mm² max	25	25

Panel Mounting Socket Outlet

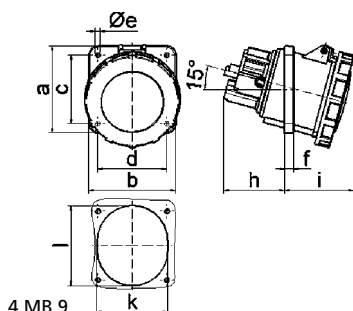
- Screw terminals
- 15° angled
- Flange 114 x 114 mm
- High-temperature-resistant contact carrier
- Nickel plated contacts
- Kontex contact
- Box terminals
- Protection degree IP67

		110V 50-60 Hz	230V 50-60 Hz	400V 50-60 Hz	500V 50-60 Hz	100-300Hz > 50V	301-500Hz > 50V	Qty	each
2P+E Ampere	3P+E Poles	3pol 4pol 5pol 4h 4h 4h	3pol 4pol 5pol 6h 9h 9h	3pol 4pol 5pol 9h 6h 6h	3pol 4pol 5pol 7h 7h 7h	3pol 4pol 5pol 10h 10h 10h	3pol 4pol 5pol 2h 2h 2h	5	805
125	3	1299	12100	12101				5	805
125	4	12102	12103	12104	12105	12320	12278	5	885
125	5	12106	12107	12108	12133	12334	12055	5	980

Products with PILOT please add "P" to the ref.no.



Fig.: Type 12108



Ampere Poles	125	125	125
a	114.0	114.0	114.0
b	114.0	114.0	114.0
c	90.0	90.0	90.0
d	90.0	90.0	90.0
e Ø	6.5	6.5	6.5
f	12.0	12.0	12.0
h	82.0	82.0	82.0
i	90.0	90.0	90.0
k	92.0	92.0	92.0
l	105.0	105.0	105.0
Cond. mm² min	25	25	25
Cond. mm² max	70	70	70

PANEL MOUNTING SOCKET OUTLETS WITH AUXILIARY CONTACT / PSC-LOCKING

- IEC 60309, EN 60309, VDE 0623, VDE 0620
- Protection degree IP44, IP67

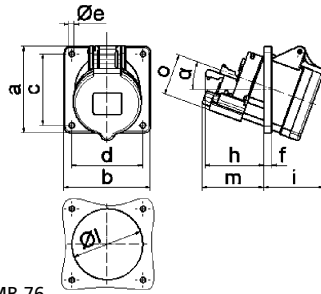
Panel Mounting Socket Outlet Quick-Connect TE

- Screwless terminals
- Angled
- With NO and NC contact
- Flange 85 x 85 mm
- High-temperature-resistant contact carrier
- Nickel plated contacts
- Protection degree IP44

Ampere	Poles	110V	230V	400V	500V	Qty	each
		50-60 Hz	50-60 Hz	50-60 Hz	50-60 Hz		
16	3	120583	120584			10	140
16	4			120585	120586	10	155
16	5			120587		10	195
32	3	120588	120589			10	265
32	4			120590	120591	10	225
32	5			120592		10	265



Fig.: Type 120587



4 MB 76

Ampere Poles	16 3	16 4	16 5	32 3	32 4	32 5
a	85.0	85.0	85.0	85.0	85.0	85.0
b	85.0	85.0	85.0	85.0	85.0	85.0
c	70.0	70.0	70.0	70.0	70.0	70.0
d	70.0	70.0	70.0	70.0	70.0	70.0
e	5.5	5.5	5.5	5.5	5.5	5.5
f	8.0	8.0	8.0	8.0	8.0	8.0
h	46.0	46.0	46.0	61.0	61.0	61.0
i	50.0	51.0	54.0	60.0	60.0	60.0
l	57.0	65.0	70.0	78.0	78.0	78.0
m	57.0	57.0	58.0	62.0	62.0	63.0
o	34.0	37.0	41.0	42.0	42.0	44.0
α	20°	20°	20°	20°	20°	20°

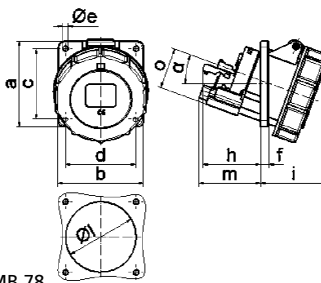
Panel Mounting Socket Outlet Quick-Connect TE

- Screwless terminals
- Angled
- With NO and NC contact
- Flange 85 x 85 mm
- High-temperature-resistant contact carrier
- Nickel plated contacts
- Protection degree IP67

Ampere	Poles	110V	230V	400V	500V	Qty	each
		50-60 Hz	50-60 Hz	50-60 Hz	50-60 Hz		
16	3	12648	121317			10	170
16	4			12649	12653	10	
16	5			12650		10	
32	3	12651	12646			10	270
32	4			12555	12652	10	
32	5			12596		10	355



Fig.: Type 12650



4 MB 78

Ampere Poles	16 3	16 4	16 5	32 3	32 4	32 5
a	85.0	85.0	85.0	85.0	85.0	85.0
b	85.0	85.0	85.0	85.0	85.0	85.0
c	70.0	70.0	70.0	70.0	70.0	70.0
d	70.0	70.0	70.0	70.0	70.0	70.0
e	5.5	5.5	5.5	5.5	5.5	5.5
f	8.0	8.0	8.0	8.0	8.0	8.0
h	46.0	46.0	46.0	61.0	61.0	61.0
i	57.0	57.0	60.0	65.0	65.0	69.0
l	57.0	65.0	70.0	75.0	75.0	78.0
m	57.0	57.0	58.0	62.0	62.0	63.0
o	34.0	37.0	41.0	42.0	42.0	44.0
α	20°	20°	20°	20°	20°	20°

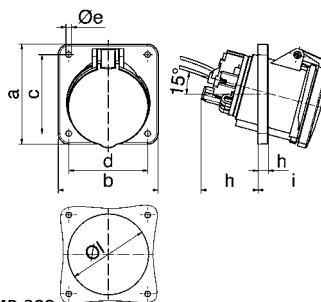
Panel Mounting Socket Outlet

- Screw terminal
- 15° angled
- Flange 114 x 114 mm
- Drilling hole distance 90 x 90 mm
- With PSC-locking
- Kontex-Plus
- Box terminals
- Protection degree IP44

Ampere	Poles	110V	230V	400V	500V	Qty	each
		50-60 Hz	50-60 Hz	50-60 Hz	50-60 Hz		
63	4			12360	12511	5	700
63	5			12616		5	750



Abb.-Typ: 12616



4 MB 388

Ampere Poles	63 4	63 5
a	114,0	114,0
b	114,0	114,0
c	90,0	90,0
d	90,0	90,0
e ø	6,5	6,5
f	12,0	12,0
h	65,0	65,0
i	81,0	81,0
l ø	92,0	92,0
Cond. mm² min	6	6
Cond. mm² max	25	25

PANEL MOUNTING SOCKET OUTLETS WITH PSC-LOCKING/ DOMESTIC TYPE

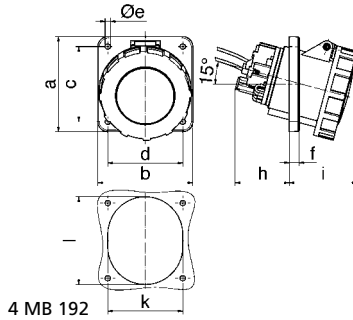
- IEC 60309, EN 60309, VDE 0623
- Protection degree IP44

Panel Mounting Socket Outlet

- 15° angled
- Flange 114 x 114 mm
- Drilling hole distance 90 x 90 mm
- With PSC-locking
- Kontex-Plus
- Box terminals
- Protection degree IP67



Abb.-Typ: 12025



4 MB 192

Ampere	Poles	110V	230V	400V	500V	Qty	g each
		50-60 Hz	50-60 Hz	50-60 Hz	50-60 Hz		
63	4	3pol 4pol 5pol 4h 4h 4h	3pol 4pol 5pol 6h 9h 9h	3pol 4pol 5pol 9h 6h 6h	3pol 4pol 5pol 7h 7h 7h	5	760
63	5			12020		5	820
125	4			12139	12054	5	1230
125	5			12025		5	1350

Ampere Poles	63 4	63 5	125 4	125 5
a	114,0	114,0	114,0	114,0
b	114,0	114,0	114,0	114,0
c	90,0	90,0	90,0	90,0
d	90,0	90,0	90,0	90,0
e ø	6,5	6,5	6,5	6,5
f	12,0	12,0	12,0	12,0
h	65,0	65,0	82,0	82,0
i	81,0	81,0	90,0	90,0
k	92,0	92,0	92,0	92,0
l	92,0	92,0	105,0	105,0
Cond. mm² min	6	6	25	25
Cond. mm² max	25	25	70	70

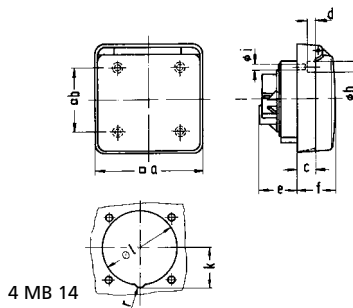
Panel Mounting Socket Outlet

- Straight insertion direction, also suitable for mounting in cable trunking and energy columns
- 16A version for cable trunk socket with mounting dimensions 70 x 70 mm
- 32A version for cable trunk socket with mounting dimensions 60 x 60 mm
- Protection degree IP44

Matching angled plug: see page 80/3



Fig.: Type 13108



4 MB 14

Ampere	Poles	110V	230V	400V	500V	Qty	g each
		50-60 Hz	50-60 Hz	50-60 Hz	50-60 Hz		
16	3	3pol 4pol 5pol 4h 4h 4h	3pol 4pol 5pol 6h 9h 9h	3pol 4pol 5pol 9h 6h 6h	3pol 4pol 5pol 7h 7h 7h	10	185
16	5		13105	13106		10	215
32	5			13146-BE		10	290

Ampere Poles	16 3	16 5	32 5
a Δ	91,0	91,0	90,0
b Δ	70,0	70,0	60,0
c	15,2	15,2	-
d ø	2,7	2,7	-
e	28,0	28,0	31,0
f	36,0	36,0	39,5
h ø	7,5	7,5	-
i ø	4,8	4,8	4,1
k	-	34,0	42,5
l	54,0	64,0	75,0
r	-	10,0	10,0
Cond. mm² min	1,5	1,5	2,5
Cond. mm² max	4	4	10

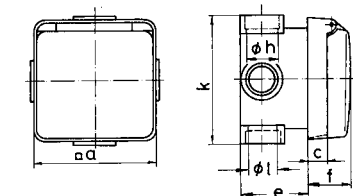
Flush Mounting Socket Outlet

- Flange 90 x 90 mm
- Drilling spacing 53 x 53 mm
- Protection degree IP44

Matching angled plug: see page 80/3



Fig.: Type 146



4 MB 15

Ampere	Poles	110V	230V	400V	500V	Qty	g each
		50-60 Hz	50-60 Hz	50-60 Hz	50-60 Hz		
16	3	3pol 4pol 5pol 4h 4h 4h	3pol 4pol 5pol 6h 9h 9h	3pol 4pol 5pol 9h 6h 6h	3pol 4pol 5pol 7h 7h 7h	10	215
16	5		140	141		10	245
32	5		147	146		10	400

Ampere Poles	16 3	16 5	32 5
a Δ	91,0	91,0	91,0
c	15,2	15,2	29,0
e	50,0	50,0	63,0
f	30,0	30,0	47,0
h ø	18,5	18,5	22,5
k	91,0	91,0	109,0
l ø	18,5	18,5	18,5
Cond. mm² min	1,5	1,5	2,5
Cond. mm² max	4	4	10

PANEL MOUNTING SOCKET OUTLETS

- Particularly suitable for harsh operating conditions, especially resistant to aggressive atmospheres
- IEC 60309, EN 60309, VDE 0623
- Protection degree IP44

Panel Mounting Socket Outlet Quick-Connect TE

- Screwless terminals
- Kontex contact
- Flange 75 x 75 mm
- Straight
- High-temperature-resistant contact carrier
- Nickel plated contacts
- Protection degree IP44



Fig.: Type 13336

2P+E Ampere	3P+E Poles	230V 50-60 Hz			400V 50-60 Hz			500V 50-60 Hz			Qty	each
		3pol 6h	4pol 9h	5pol 9h	3pol 9h	4pol 6h	5pol 6h	3pol 7h	4pol 7h	5pol 7h		
16	3	13144						10	110			
16	4				13334			13771	10	150		
16	5				13336			130111	10	170		
32	3	13773						10	215			
32	4				13774			13775	13776	10	230	
32	5				13777				10	250		

Panel Mounting Socket Outlet TE

- Screw terminals
- Flange 107 x 100 mm
- Straight
- High-temperature-resistant contact carrier
- Kontex contact and box terminals
- Nickel plated contacts
- Protection degree IP44



Fig.: Type 13343

2P+E Ampere	3P+E Poles	230V 50-60 Hz			400V 50-60 Hz			500V 50-60 Hz			Qty	each
		3pol 6h	4pol 9h	5pol 9h	3pol 9h	4pol 6h	5pol 6h	3pol 7h	4pol 7h	5pol 7h		
63	3	13341						5	420			
63	4				13342			13344	5	450		
63	5				13343				5	495		

Dimension drawing: see page 58/1 (4 MB 8)

Products with PILOT please add "P" to the ref.no.

Panel Mounting Socket Outlet Quick-Connect TE

- Screwless terminals
- Kontex contact
- Flange 74 x 62 mm for 16A 3p, 100 x 92 mm for the other versions
- 20° angled
- High-temperature-resistant contact carrier
- Nickel plated contacts
- Protection degree IP44



Fig.: Type 12884

2P+E Ampere	3P+E Poles	230V 50-60 Hz			400V 50-60 Hz			500V 50-60 Hz			Qty	each
		3pol 6h	4pol 9h	5pol 9h	3pol 9h	4pol 6h	5pol 6h	3pol 7h	4pol 7h	5pol 7h		
16	3	12398						10	100			
16	4				12876			12877	12878	10	150	
16	5				12880			12401		10	165	
32	3	12880						10	205			
32	4				12882			12882	12883	10	215	
32	5				12884				10	255		

Dimension drawing: see page 60/1 (4 MB 112)

Panel Mounting Socket Outlet TE

- Screw terminals
- Flange 114 x 114 mm
- 15° angled
- High-temperature-resistant contact carrier
- Kontex contact and box terminals
- Nickel plated contacts
- Protection degree IP44



Fig.: Type 12408

2P+E Ampere	3P+E Poles	230V 50-60 Hz			400V 50-60 Hz			500V 50-60 Hz			Qty	each
		3pol 6h	4pol 9h	5pol 9h	3pol 9h	4pol 6h	5pol 6h	3pol 7h	4pol 7h	5pol 7h		
63	3	12405						5	420			
63	4				12406			12407	5	470		
63	5				12408				5	510		

Dimension drawing: see page 61/2 (4 MB 10)

Products with PILOT please add "P" to the ref.no.

PANEL MOUNTING SOCKET OUTLETS

- Particularly suitable for harsh operating conditions, especially resistant to aggressive atmospheres
- IEC 60309, EN 60309, VDE 0623
- Protection degree IP67

Panel Mounting Socket Outlet Quick-Connect TE

- Screwless terminals
- Kontex contact
- Flange 75 x 75 mm
- Straight
- High-temperature-resistant contact carrier
- Nickel plated contacts
- Protection degree IP67

Dimension drawing: see page 62/2 (4 MB 105)



Fig.: Type 13816

2P+E Ampere	3P+E Poles	230V 50-60 Hz			400V 50-60 Hz			500V 50-60 Hz			Qty	each
		3pol 6h	4pol 9h	5pol 9h	3pol 9h	4pol 6h	5pol 6h	3pol 7h	4pol 7h	5pol 7h		
16	3		13156							10	145	
16	4		13083		13157		13810			10	170	
16	5				13159					10	200	
32	3		13812							10	220	
32	4		13813		13814		13815			10	230	
32	5				13816					10	270	

Panel Mounting Socket Outlet TE

- Screw terminals
- Flange 107 x 100 mm
- Straight
- High-temperature-resistant contact carrier
- Kontex contact and box terminals
- Nickel plated contacts
- Protection degree IP67

Dimension drawing: see page 63/1 (4 MB 50)



Fig.: Type 13385

2P+E Ampere	3P+E Poles	230V 50-60 Hz			400V 50-60 Hz			500V 50-60 Hz			Qty	each
		3pol 6h	4pol 9h	5pol 9h	3pol 9h	4pol 6h	5pol 6h	3pol 7h	4pol 7h	5pol 7h		
63	3		13382							5	480	
63	4				13383		13384			5	510	
63	5				13385					5	550	

Products with PILOT please add "P" to the ref.no.

Panel Mounting Socket Outlet Quick-Connect TE

- Screwless terminals
- Kontex contact
- Flange 74 x 62 mm for 16A 3p, 100 x 92 mm for the other versions
- 20° angled
- High-temperature-resistant contact carrier
- Nickel plated contacts
- Protection degree IP67

Dimension drawing: see page 65/3 (4 MB 115)



Fig.: Type 12928

2P+E Ampere	3P+E Poles	230V 50-60 Hz			400V 50-60 Hz			500V 50-60 Hz			Qty	each
		3pol 6h	4pol 9h	5pol 9h	3pol 9h	4pol 6h	5pol 6h	3pol 7h	4pol 7h	5pol 7h		
16	3		12205							10	145	
16	4		12919		12920		12921			10	165	
16	5		120161		12922		120159			10	205	
32	3		12924							10	225	
32	4		12925		12926		12927			10	250	
32	5		120162		12928		120158			10	300	

Panel Mounting Socket Outlet TE

- Screw terminals
- Flange 114 x 114 mm
- 15° angled
- High-temperature-resistant contact carrier
- Kontex contact and box terminals
- Nickel plated contacts
- Protection degree IP67

Dimension drawing: see page 67/1 (4 MB 9)



Fig.: Type 12160

2P+E Ampere	3P+E Poles	230V 50-60 Hz			400V 50-60 Hz			500V 50-60 Hz			Qty	each
		3pol 6h	4pol 9h	5pol 9h	3pol 9h	4pol 6h	5pol 6h	3pol 7h	4pol 7h	5pol 7h		
63	3		12409							5	500	
63	4				12410		12156			5	535	
63	5				12160					5	575	

Products with PILOT please add "P" to the ref.no.

Panel Mounting Socket Outlet TE

- Screw terminals
- Flange 114 x 114 mm
- 15° angled
- High-temperature-resistant contact carrier
- Kontex contact and box terminals
- Nickel plated contacts
- Protection degree IP67

Dimension drawing: see page 67/3 (4 MB 9)



Fig.: Type 12108

2P+E Ampere	3P+E Poles	230V 50-60 Hz			400V 50-60 Hz			500V 50-60 Hz			Qty	each
		3pol 6h	4pol 9h	5pol 9h	3pol 9h	4pol 6h	5pol 6h	3pol 7h	4pol 7h	5pol 7h		
125	3		12100							5	905	
125	4		12103		12104		12105			5	965	
125	5		12107		12108		12133			5	1070	

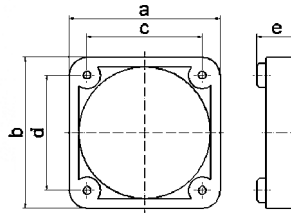
Products with PILOT please add "P" to the ref.no.

Mounting Frame

- For attaching panel mounting socket outlets



Fig.: Type 1849



30 MB 182

a	b	c	d	e	Ref. No.
50	50	38	38	13	1843
54	54	44	44	10	1847
57	66	47	47	10	1848
60	60	50	50	10	1849
62	62	52	52	10	1850
62	70	52	60	10	1851

Mounting Frame

- For attaching panel mounting socket outlets

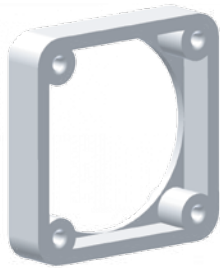
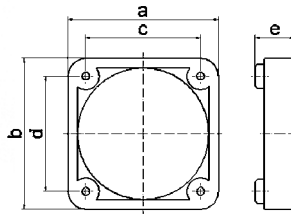


Fig.: Type 189



30 MB 182

a	b	c	d	e	Ref. No.
70	70	60	60	12	187
71	80	52	70	10	1852
80	80	70	70	13	189
87	95	77	85	12	188
100	110	90	90	10	1854

Intermediate Flange

- For attaching panel mounting socket outlets (straight)
- With screw terminal
- For Quick-Connect 16A Panel Mounting Socket Outlets
- With flange 75 x 75 mm
- Drilling spacing 60 x 60 mm

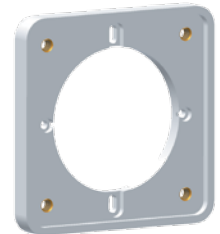
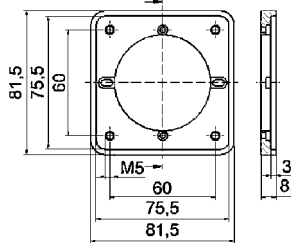


Fig.: Type 182



4 MB 256

Ref. No.

182

Flush Mounting Box

- For panel mounting socket outlets
- Drilling spacing 60 x 60 mm
- Without terminals

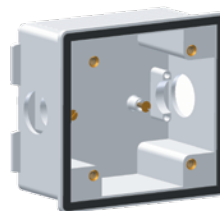
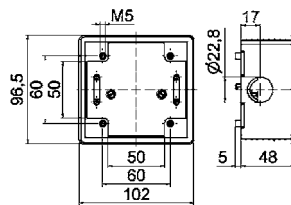


Fig.: Type 183



4 MB 13

Ref. No.

183-BE

Touch Protection Ring

- for 63A, 5p
- For attaching to contact carrier of panel mounting socket outlets



Fig.: Type 580634

Ref. No.

580634

Touch Protection Ring

- for 125A, 4/5p
- For attaching to contact carrier of panel mounting socket outlets



Fig.: Type 58058

Ref. No.

58058

Flush Box

- For panel mounting socket outlets listed on previous page



Fig.: Type 180

Ref. No.

180

Flush-Mounting Adapter

- For panel mounting socket outlets listed on previous page



Fig.: Type 181

Ref. No.

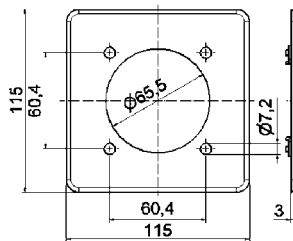
181

Mounting Flange

- For panel mounting socket outlets



Fig.: Type 185



4 MB 12

Ref. No.

185-BE

Empty Enclosure

- Dimension of enclosure 102 x 102 mm
- For panel mounting socket outlets with flange 75 x 75 mm
- Drilling spacing 60 x 60 mm



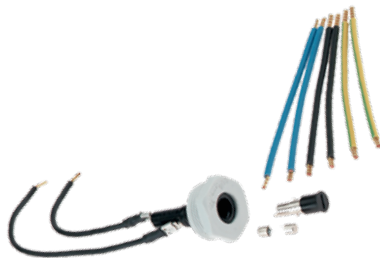
Fig.: Type 18048

Ref. No.

For socket with protection degree IP44 18048

For socket with protection degree IP67 18049

Accessories for TK-Combi Socket Outlet



Ref. No.

Wiring harness 16A 1863

Wiring harness 32A 1896

G fuse base 5 x 20 mm DIN 41671 1862

G fuse link 6.3A 1864

G fuse link 10A 1865

G fuse link 16A 1866





Plugs



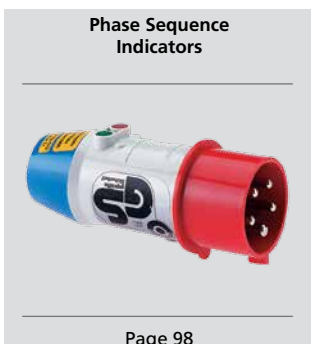
Inlets



Phase Inverters



Phase Sequence Indicators and Adapters



Connectors

IP44



Page 99

IP67



Pages 100 - 101

Hanging Connectors



Page 101

Lockable Connectors



Page 101

**Accessories
Plugs and Connectors**



Page 102

Technical features



Multi-Grip

- Cable gland system with integrated strain relief
- Captive rubber seal
- Multi-Grip cable glands achieve at least protection class IP67
- Adaptation to all cable cross sections
- Status can be checked at any time from outside



QUICK-CONNECT
by Bals

16A and 32A

- Patented, screwless quick connection technology, based on the familiar spring-clamp principle, with fully opened connection cavity
- Time saving up to 75%
- Faster, more reliable and controlled conductor connection
- The terminal accepts all types of copper conductors
- Quick-Connect is maintenance-free, shock resistant, vibrations and temperature fluctuations



The following types of copper conductor can be used

- Fine-wire
- Single-wire
- Finely stranded with wire end ferrules
- With gas-tight crimp
- Ultrasonically welded



QUICK-CONNECT
by Bals

63A

- Worldwide unique screwless system for 63A CEE devices
- Same advantages as for the 16A and 32A systems
- Screwless box terminals
- Cable cross sections for flexible conductors: 6mm² - 16mm²
- Cable cross sections for rigid and multi-wire conductors: 6mm² - 25mm²

HKS Panel Mounting Socket Outlet

Quick-Connect terminals

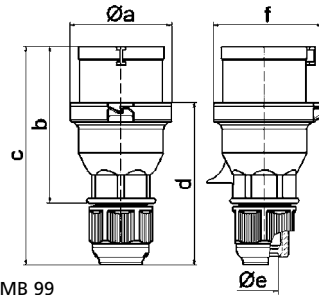
PLUGS

- IEC 60309-1/2, EN 60309, VDE 0623
- Protection degree IP44

Plug Quick-Connect with Multi-Grip

- Screwless terminals
- Screwless enclosure connection, self locking
- Special gland, simultaneous cable gland and seal
- Protection degree IP44

Ampere	Poles	110V 50-60 Hz			230V 50-60 Hz			400V 50-60 Hz			500V 50-60 Hz			100-300Hz > 50V			301-500Hz > 50V			Qty	each
		2P+E	3P+E	3P+N+E	3pol 4h	4pol 4h	5pol 4h	3pol 6h	4pol 9h	5pol 9h	3pol 9h	4pol 6h	5pol 6h	3pol 7h	4pol 7h	5pol 7h	3pol 10h	4pol 10h	5pol 10h		
16	3				2125		2126												10	100	
16	4						2129		2130										10	135	
16	5						2135		2136										10	140	
32	3				2137		2138												10	250	
32	4						2141		2142										10	220	
32	5						2147		2148										10	295	



2 MB 99

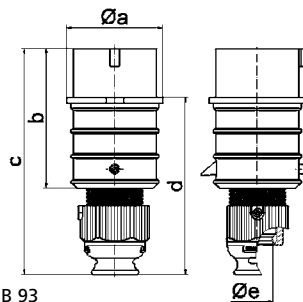
Ampere	16	16	16	32	32	32
Poles	3	4	5	3	4	5
a	53.0	60.0	66.0	74.5	74.5	74.5
b	93.5	100.5	103.0	121.0	121.0	121.5
c	134.0	141.0	142.0	174.0	174.0	174.5
d	97.5	104.5	105.5	128.0	128.0	128.5
f	18.0	18.0	18.0	23.0	23.0	23.0
Cond. mm² min	1	1	1	2.5	2.5	2.5
Cond. mm² max	2.5	2.5	2.5	6	6	6

Fig.: Type 2136

Plug TE-Plus with Multi-Grip

- Screwless terminals
- High-temperature-resistant contact carrier
- Nickel plated contacts
- Special gland, simultaneous cable gland and seal
- Protection degree IP44

Ampere	Poles	110V 50-60 Hz			230V 50-60 Hz			400V 50-60 Hz			500V 50-60 Hz			100-300Hz > 50V			301-500Hz > 50V			Qty	each
		2P+E	3P+E	3P+N+E	3pol 4h	4pol 4h	5pol 4h	3pol 6h	4pol 9h	5pol 9h	3pol 9h	4pol 6h	5pol 6h	3pol 7h	4pol 7h	5pol 7h	3pol 10h	4pol 10h	5pol 10h		
16	3				21837		21866		21843		210169		210170		210171				10	125	
16	4				21872		21839		21687		21688		21847		21849				10	145	
16	5				210176		21840		21689		210178		210179		21879				10	180	
32	3				21838		21690		21844		210184		210185		210186				10	240	
32	4				21873		21841		21691		21692		21848		21850				10	260	
32	5				210193		21842		21693		21623		210197		21885				10	310	



2 MB 93

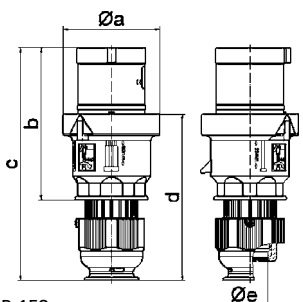
Ampere	16	16	16	32	32	32
Poles	3	4	5	3	4	5
a ø	51.0	57.5	65.0	66.0	66.0	72.0
b	95.0	95.0	97.0	118.0	118.0	117.0
c	145.0	145.0	152.0	178.0	178.0	181.0
d	109.0	109.0	116.0	133.0	133.0	135.5
e ø	18.0	18.0	21.0	23.0	23.0	27.0
Cond. mm² min	1	1	1	2.5	2.5	2.5
Cond. mm² max	2.5	2.5	2.5	6	6	6

Fig.: Type 21689

Plug TE with Multi-Grip

- Nickel plated contacts
- Special gland, simultaneous cable gland and seal
- Screwless enclosure connection, self locking
- Protection degree IP44

Ampere	Poles	110V 50-60 Hz			230V 50-60 Hz			400V 50-60 Hz			500V 50-60 Hz			100-300Hz > 50V			301-500Hz > 50V			Qty	each
		2P+E	3P+E	3P+N+E	3pol 4h	4pol 4h	5pol 4h	3pol 6h	4pol 9h	5pol 9h	3pol 9h	4pol 6h	5pol 6h	3pol 7h	4pol 7h	5pol 7h	3pol 10h	4pol 10h	5pol 10h		
		QUICK CONNECT®																			
63	4																			5	660
63	5								210761		210763									5	720
Screw terminal:																					
63	3				21024		2104		21025		210030		21531		21624					5	535
63	4				2149		2150		2151		2152		21300		21526					5	595
63	5				2153		2154		2155		21167		21663		21419					5	650



2 MB 158

Ampere	63	63	63
Poles	3	4	5
a ø	96.0	96.0	96.0
b	153.0	153.0	153.0
c	233.0	233.0	233.0
d	167.0	167.0	167.0
e ø	36.0	36.0	36.0
Cond. mm² min	6	6	6
Cond. mm² max	16	16	16

Fig.: Type 2155

PLUGS

- IEC 60309-1/2, EN 60309, VDE 0623
- Protection degree IP67

Plug TE-Plus with Multi-Grip

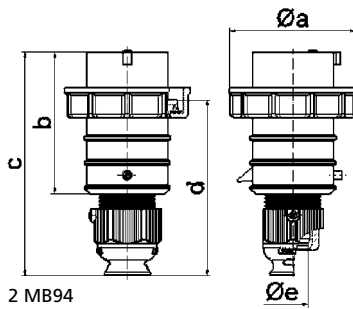
- Screwless terminals
- High-temperature-resistant contact carrier
- Nickel plated contacts
- Special gland, simultaneous cable gland and seal
- Protection degree IP67

Accessories:
Closure cap: see page 102/3

2P+E Ampere	3P+E Poles	3P+N+E Poles	110V 50-60 Hz			230V 50-60 Hz			400V 50-60 Hz			500V 50-60 Hz			100-300Hz > 50V			301-500Hz > 50V			Qty	each
			3pol 4h	4pol 4h	5pol 4h	3pol 6h	4pol 9h	5pol 9h	3pol 9h	4pol 6h	5pol 6h	3pol 7h	4pol 7h	5pol 7h	3pol 10h	4pol 10h	5pol 10h	3pol 2h	4pol 2h	5pol 2h		
16	3		21237			21238			21402			21487			21453			21558	10	150		
16	4		21403			21250			21349			21350			21404			21105	10	175		
16	5		21406			21407			21239			21754			21564			21533	10	215		
32	3		21408			21240			21409			21486			21545			210222	10	285		
32	4		21410			21251			21351			21352			21411			21412	10	335		
32	5		21413			21414			21241			21282			21484			210234	10	385		



Fig.: Type 21239



2 MB94

Ampere Poles	16 3	16 4	16 5	32 3	32 4	32 5
a Ø	70.0	78.0	86.0	94.0	94.0	101.0
b	95.0	95.0	97.0	118.0	118.0	117.0
c	145.0	145.0	152.0	178.0	178.0	181.0
d	111.0	111.0	119.0	136.0	136.0	138.5
e Ø	18.0	18.0	21.0	23.0	23.0	27.0
Cond. mm² min	1	1	1	2.5	2.5	2.5
Cond. mm² max	2.5	2.5	2.5	6	6	6

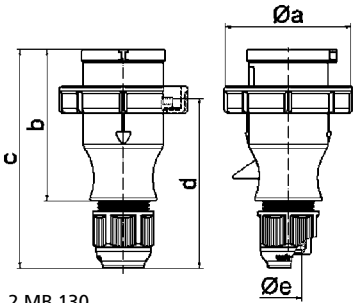
Plug with Multi-Grip

- Screw terminals
- Nickel plated contacts
- One-piece enclosure
- Special gland, simultaneous cable gland and seal
- Protection degree IP67

2P+E Ampere	3P+E Poles	3P+N+E Poles	110V 50-60 Hz			230V 50-60 Hz			400V 50-60 Hz			500V 50-60 Hz			100-300Hz > 50V			301-500Hz > 50V			Qty	each
			3pol 4h	4pol 4h	5pol 4h	3pol 6h	4pol 9h	5pol 9h	3pol 9h	4pol 6h	5pol 6h	3pol 7h	4pol 7h	5pol 7h	3pol 10h	4pol 10h	5pol 10h	3pol 2h	4pol 2h	5pol 2h		
16	3		210575			210576			210577										10	155		
16	4		210581			210582			210583										10	170		
16	5		210587			210588			210589										10	170		
32	3		210593			210594			210595										10	243		
32	4		210599			210600			210601										10	255		
32	5		210605			210606			210607										10	305		



Fig.: Type 210589



2 MB 130

Ampere Poles	16 3	16 4	16 5	32 3	32 4	32 5
a Ø	70.0	78.0	86.0	94.0	94.0	101.0
b	94.5	98.0	101.0	115.0	115.0	119.0
c	138.0	142.0	145.0	170.0	170.0	174.0
d	105.5	109.5	112.5	128.0	128.0	132.0
e Ø	18.0	18.0	18.0	23.0	23.0	23.0
Cond. mm² min	1	1	1	2.5	2.5	2.5
Cond. mm² max	2.5	2.5	2.5	6	6	6

Plug TE-Plus with Multi-Grip

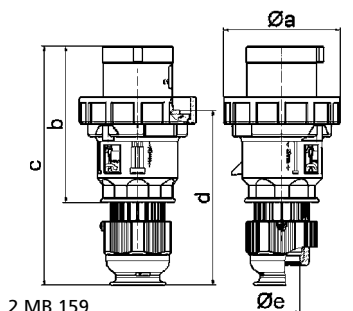
- High-temperature-resistant contact carrier
- Nickel plated contacts
- Special gland, simultaneous cable gland and seal
- Screwless enclosure connection, self locking
- Protection degree IP67

Accessories: Closure cap: see page 102/3

2P+E Ampere	3P+E Poles	3P+N+E Poles	110V 50-60 Hz			230V 50-60 Hz			400V 50-60 Hz			500V 50-60 Hz			100-300Hz > 50V			301-500Hz > 50V			Qty	each
			3pol 4h	4pol 4h	5pol 4h	3pol 6h	4pol 9h	5pol 9h	3pol 9h	4pol 6h	5pol 6h	3pol 7h	4pol 7h	5pol 7h	3pol 10h	4pol 10h	5pol 10h	3pol 2h	4pol 2h	5pol 2h		
			QUICK CONNECT®																			
63	4																		5	720		
63	5																		5	770		
Screw terminal:																						
63	3		2180			2181			2182			21330							5	590		
63	4		2183			2184			2185			2186			21154			21375	5	650		
63	5		2187			2188			2189			21060			21645			21163	5	705		



Fig.: Type 210766



2 MB 159

Ampere Poles	63 3	63 4	63 5
a Ø	113.5	113.5	113.5
b	153.0	153.0	153.0
c	233.0	233.0	233.0
d	171.0	171.0	171.0
e Ø	36.0	36.0	36.0
Cond. mm² min	6	6	6
Cond. mm² max	16	16	16

PLUGS

- IEC 60309-1/2, EN 60309, VDE 0623
- Protection degree IP44, IP67

Plug TE with Multi-Grip

- Screw terminals
 - Box terminals
 - High-temperature-resistant contact carrier
 - Nickel plated contacts
 - Special gland, simultaneous cable gland and seal
 - Screwless enclosure connection, self locking
 - Protection degree IP67
- Accessories: closure cap, see page 102/3

2P+E Ampere	3P+E Ampere	3P+N+E Poles	110V 50-60 Hz			230V 50-60 Hz			400V 50-60 Hz			500V 50-60 Hz			100-300Hz > 50V			301-500Hz > 50V			Qty	g each
			3pol 4h	4pol 4h	5pol 4h	3pol 6h	4pol 9h	5pol 9h	3pol 9h	4pol 6h	5pol 6h	3pol 7h	4pol 7h	5pol 7h	3pol 10h	4pol 10h	5pol 10h	3pol 2h	4pol 2h	5pol 2h		
125	3		2190	2191	2192	210964									5	1020						
125	4		2193	2194	2195	2196	21607	21155							5	1125						
125	5		2197	2198	2199	21555	21851	21156							5	1235						



Fig.: Type 2199

	125	125	125
Ampere	125	125	125
Poles	3	4	5
a ø	126.0	126.0	126.0
b	181.0	181.0	181.0
c	282.0	282.0	282.0
d	206.0	206.0	206.0
e ø	50.0	50.0	50.0
Cond. mm² min	16	16	16
Cond. mm² max	50	50	50

2 MB 214

Plug Quick-Connect, lockable

- Screwless terminals
 - Lockable with matching connector
 - Screwless enclosure connection, self locking
 - Special gland, simultaneous cable gland and seal
 - Protection degree IP44
- Accessories: Lock set, see page 102/5

2P+E Ampere	3P+E Ampere	3P+N+E Poles	110V 50-60 Hz			230V 50-60 Hz			400V 50-60 Hz			500V 50-60 Hz			100-300Hz > 50V			301-500Hz > 50V			Qty	g each
			3pol 4h	4pol 4h	5pol 4h	3pol 6h	4pol 9h	5pol 9h	3pol 9h	4pol 6h	5pol 6h	3pol 7h	4pol 7h	5pol 7h	3pol 10h	4pol 10h	5pol 10h	3pol 2h	4pol 2h	5pol 2h		
16	5					210950									10	180						
32	5					210951									10	305						



Fig.: Type 210951

	16	32
Ampere	16	32
Poles	5	5
a	66.0	74.5
b	103.0	121.5
c	142.0	174.5
d	105.5	128.5
e ø	18.0	23.0
f	70.5	80.0
h	82.0	90.0
Cond. mm² min	1	2.5
Cond. mm² max	2.5	6

2 MB 157

Angled Plug

- Screw terminals
- With short cable sleeve
- Protection degree IP44

2P+E Ampere	3P+E Ampere	3P+N+E Poles	110V 50-60 Hz			230V 50-60 Hz			400V 50-60 Hz			500V 50-60 Hz			100-300Hz > 50V			301-500Hz > 50V			Qty	g each
			3pol 4h	4pol 4h	5pol 4h	3pol 6h	4pol 9h	5pol 9h	3pol 9h	4pol 6h	5pol 6h	3pol 7h	4pol 7h	5pol 7h	3pol 10h	4pol 10h	5pol 10h	3pol 2h	4pol 2h	5pol 2h		
16	3					231									10	150						
16	4					235									10	170						
16	5					236									10	175						
32	5					2300-BE									10	280						



Fig.: Type 231

	16	16	16	32
Ampere	16	16	16	32
Poles	3	4	5	5
a	80.0	85.0	96.0	116.0
b	44.0	49.0	59.0	70.0
c ø	6.5	6.5	8.0	10.0
d ø	18.0	18.0	18.0	25.0
e	51.0	57.0	64.0	-
f	90.0	95.0	74.0	101.0
Cond. mm² min	1	1	1	2.5
Cond. mm² max	2.5	2.5	2.5	6

2 MB 12

SURFACE MOUNTING APPLIANCE INLETS

- IEC 60309-1/2, EN 60309, VDE 0623
- Protection degree IP44

Surface Mounting Appliance Inlet

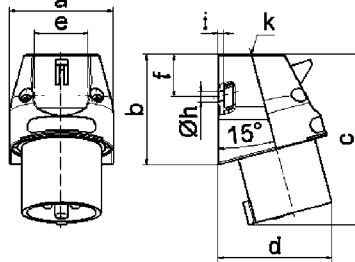
- Screw terminals
- Cable entry 1x at top (open), 1x at bottom (closed)
- Protection degree IP44

3P+E		3P+N+E		110V 50-60 Hz	230V 50-60 Hz	400V 50-60 Hz	500V 50-60 Hz	100-300Hz > 50V	301-500Hz > 50V	Qty	each
2P+E Ampere	3P+E Poles	3P+N+E Poles		3pol 4pol 5pol 4h 4h 4h	3pol 4pol 5pol 6h 9h 9h	3pol 4pol 5pol 9h 6h 6h	3pol 4pol 5pol 7h 7h 7h	3pol 4pol 5pol 10h 10h 10h	3pol 4pol 5pol 2h 2h 2h		
16	3			2448	240					10	115

Accessories: Closure cap, see page 102/3



Fig.: Type 240



5 MB 43

Ampere	16									
Poles	3									
a	56.5									
b	60.0									
c	93.0									
d	73.0									
e	29.5									
f	23.5									
h ø	5.5									
i	3.0									
k	M20									
Cond. mm² min	1									
Cond. mm² max	2.5									

3

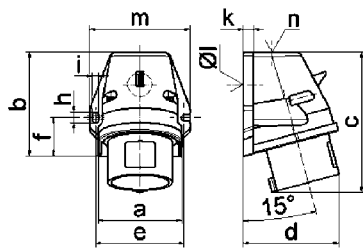
Surface Mounting Appliance Inlet Quick-Connect

- Screwless terminals
- Cable entry 1x at top (open), 1x at bottom (closed)
- Protection degree IP44

3P+E		3P+N+E		110V 50-60 Hz	230V 50-60 Hz	400V 50-60 Hz	500V 50-60 Hz	100-300Hz > 50V	301-500Hz > 50V	Qty	each
2P+E Ampere	3P+E Poles	3P+N+E Poles		3pol 4pol 5pol 4h 4h 4h	3pol 4pol 5pol 6h 9h 9h	3pol 4pol 5pol 9h 6h 6h	3pol 4pol 5pol 7h 7h 7h	3pol 4pol 5pol 10h 10h 10h	3pol 4pol 5pol 2h 2h 2h		
16	3			24422	24423					10	170
16	4			24398	24393	24392	24539			10	180
16	5			24399	24400	242001				10	200
32	3			24401	24402					10	240
32	4			24403	24404	24405	24540			10	260
32	5			24406	24407	242002				10	285



Fig.: Type 242001



5 MB 44

Ampere	16	16	16	32	32	32
Poles	3	4	5	3	4	5
a	59.5	72.4	72.4	79.1	79.1	79.1
b	90.0	90.0	90.0	92.0	92.0	92.0
c	120.0	120.0	122.0	134.0	134.0	134.0
d	72.0	84.0	84.0	89.0	89.0	89.0
e	62.0	77.0	77.0	84.0	84.0	84.0
f	33.5	33.5	33.5	30.0	30.0	30.0
h	9.0	9.0	9.0	9.0	9.0	9.0
i	5.5	5.5	5.5	5.5	5.5	5.5
k	8.0	9.0	9.0	9.0	9.0	9.0
l ø	21.0	21.0	21.0	21.0	21.0	21.0
m	72.0	87.0	87.0	94.0	94.0	94.0
n	M20	M25	M25	M25	M25	M25
Cond. mm² min	1	1	1	2.5	2.5	2.5
Cond. mm² max	2.5	2.5	2.5	6	6	6

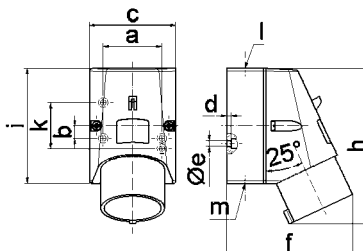
Surface Mounting Appliance Inlet

- Screw terminals
- Cable entry 1x at top (open), 1x at bottom and 1x at rear (closed)
- Protection degree IP44

3P+E		3P+N+E		110V 50-60 Hz	230V 50-60 Hz	400V 50-60 Hz	500V 50-60 Hz	100-300Hz > 50V	301-500Hz > 50V	Qty	each
2P+E Ampere	3P+E Poles	3P+N+E Poles		3pol 4pol 5pol 4h 4h 4h	3pol 4pol 5pol 6h 9h 9h	3pol 4pol 5pol 9h 6h 6h	3pol 4pol 5pol 7h 7h 7h	3pol 4pol 5pol 10h 10h 10h	3pol 4pol 5pol 2h 2h 2h		
16	3				245					10	170
16	4					249				10	225
16	5					2415				10	255



Fig.: Type 2415



5 MB 47

Ampere	16	16	16			
Poles	3	4	5			
a	51.0	59.0	59.0			
b	-	11.0	11.0			
c	64.0	75.0	75.0			
d	4.0	4.0	4.0			
e ø	4.1	5.1	5.1			
f	93.0	106.0	110.0			
h	122.0	135.0	135.0			
i	87.0	100.0	100.0			
k	40.0	-	-			
l	M20	M20	M20			
m	for M20	for M20	for M20			
Cond. mm² min	1	1	1			
Cond. mm² max	2.5	2.5	2.5			

SURFACE MOUNTING APPLIANCE INLETS

- IEC 60309-1/2, EN 60309, VDE 0623
- Protection degree IP44

Surface Mounting Appliance Inlet Quick-Connect TE

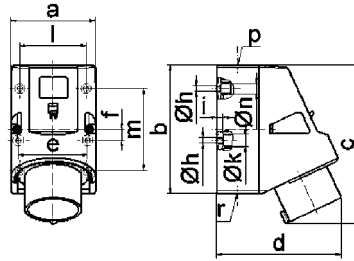
Screwless terminals

- High-temperature-resistant contact carrier
- Nickel plated contacts
- Cable entry 1x at top (open), 2x at bottom (closed)
- Base rotatable by 180°
- 4 mounting holes in enclosure base
- Suitable for through wiring
- Protection degree IP44

		110V 50-60 Hz	230V 50-60 Hz	400V 50-60 Hz	500V 50-60 Hz	100-300Hz > 50V	301-500Hz > 50V	g										
2P+E Ampere	3P+E Poles	3pol 4h	4pol 4h	5pol 4h	3pol 6h	4pol 9h	5pol 9h	3pol 7h	4pol 7h	5pol 7h	3pol 10h	4pol 10h	5pol 10h	3pol 2h	4pol 2h	5pol 2h	Qty	each
16	5				24362									10				305
32	3	24408	24409											10				335
32	4		24410	24411	24412									10				350
32	5		24551	24413										10				385



Fig.: Type 24413



5 MB 45

Ampere	16	32	32	32
Poles	5	3	4	5
a	83.0	83.0	83.0	83.0
b	126.0	126.0	126.0	126.0
c	155.5	165.0	165.0	166.0
d	122.0	128.0	128.0	130.0
e	68.0	68.0	68.0	68.0
f	11.0	11.0	11.0	11.0
h ø	5.5	5.5	5.5	5.5
i	6.5	6.5	6.5	6.5
k ø	12.0	12.0	12.0	12.0
l	65.0	65.0	65.0	65.0
m	80.0	80.0	80.0	80.0
n ø	10	10.0	10.0	10.0
p	M25	M25	M25	M25
r	2xM25	2xM25	2xM25	2xM25
Cond. mm² min	1	2.5	2.5	2.5
Cond. mm² max	2.5	6	6	6

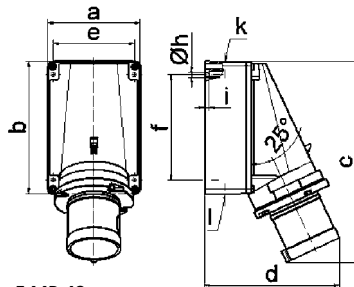
Surface Mounting Appliance Inlet

- Screw terminals
- Cable entry 1x at top (open) and 2x at bottom (closed)
- Base rotatable by 180°
- Protection degree IP44

		110V 50-60 Hz	230V 50-60 Hz	400V 50-60 Hz	500V 50-60 Hz	100-300Hz > 50V	301-500Hz > 50V	g										
2P+E Ampere	3P+E Poles	3pol 4h	4pol 4h	5pol 4h	3pol 6h	4pol 9h	5pol 9h	3pol 7h	4pol 7h	5pol 7h	3pol 10h	4pol 10h	5pol 10h	3pol 2h	4pol 2h	5pol 2h	Qty	each
63	3				24336									5				775
63	4		24337	24338	24339									5				925
63	5			24134										5				975



Fig.: Type 24134



5 MB 48

Ampere	63	63	63
Poles	3	4	5
a	118.0	118.0	118.0
b	170.0	170.0	170.0
c	259.0	259.0	259.0
d	174.0	174.0	174.0
e	104.0	104.0	104.0
f	136.0	136.0	136.0
h ø	6.1	6.1	6.1
i	6.0	6.0	6.0
k	M40	M40	M40
l	M32/32	M32/32	M32/32
Cond. mm² min	6	6	6
Cond. mm² max	16	16	16

SURFACE MOUNTING APPLIANCE INLETS

- IEC 60309-1/2, EN 60309, VDE 0623
- Protection degree IP44

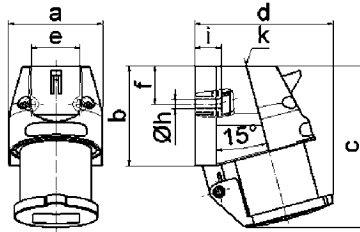
Surface Mounting Appliance Inlet

- Screw terminals
- With hinged lid
- Protection degree IP44

2P+E Amperes	3P+E Poles	3P+N+E Poles	110V 50-60 Hz	230V 50-60 Hz	400V 50-60 Hz	500V 50-60 Hz	100-300Hz > 50V	301-500Hz > 50V	Qty	each
16	3			242					10	150



Fig.: Type 242



5 MB 17

Ampere	16
Poles	3
a	56.5
b	60.0
c	97.5
d	84.0
e	29.5
f	23.0
h ø	5.5
i	16.0
k	M20
Cond. mm² min	1
Cond. mm² max	2.5

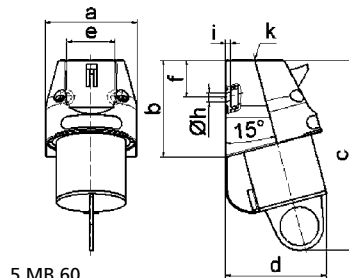
Surface Mounting Appliance Inlet

- Screw terminals
- With closure cap
- Protection degree IP44

2P+E Amperes	3P+E Poles	3P+N+E Poles	110V 50-60 Hz	230V 50-60 Hz	400V 50-60 Hz	500V 50-60 Hz	100-300Hz > 50V	301-500Hz > 50V	Qty	each
16	3			2400					10	140



Fig.: Type 2400



5 MB 60

Ampere	16
Poles	3
a	56.5
b	60.0
c	118.0
d	63.0
e	29.5
f	23.0
h ø	5.5
i	3.0
k	M20
Cond. mm² min	1
Cond. mm² max	2.5

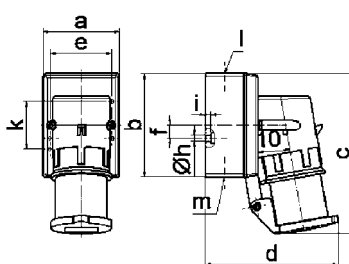
Surface Mounting Appliance Inlet

- Screw terminals
- With hinged lid
- Protection degree IP44

2P+E Amperes	3P+E Poles	3P+N+E Poles	110V 50-60 Hz	230V 50-60 Hz	400V 50-60 Hz	500V 50-60 Hz	100-300Hz > 50V	301-500Hz > 50V	Qty	each
16	3			2461					10	205
16	4				2465				10	255



Fig.: Type 2465



5 MB 10

Ampere	16	16
Poles	3	4
a	64.0	75.0
b	87.0	100.0
c	138.0	150.0
d	111.0	120.0
e	51.0	59.0
f	-	11.0
h ø	4.1	5.1
i	4.5	4.5
k	40.0	-
l	M20	M20
m	for M20	for M20
Cond. mm² min	1	1
Cond. mm² max	2.5	2.5

SURFACE MOUNTING APPLIANCE INLETS

- IEC 60309-1/2, EN 60309, VDE 0623
- Protection degree IP44

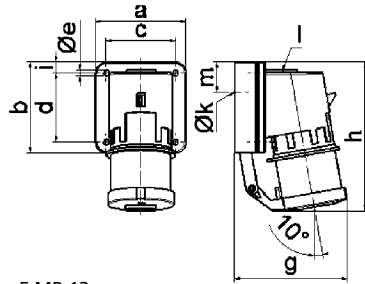
Surface Mounting Appliance Inlet

- Screw terminals
- With hinged lid
- Protection degree IP44

		110V 50-60 Hz	230V 50-60 Hz	400V 50-60 Hz	500V 50-60 Hz	100-300Hz > 50V	301-500Hz > 50V											
2P+E Ampere	3P+E Poles	3pol 4h	4pol 4h	5pol 4h	3pol 6h	4pol 9h	5pol 9h	3pol 7h	4pol 7h	5pol 7h	3pol 10h	4pol 10h	5pol 10h	3pol 2h	4pol 2h	5pol 2h	Qty	each
16	5	2469			2470			2471						10			270	
32	3	24335			24017									10			335	
32	4							24018			24019			10			330	
32	5							24012						10			350	



Fig.: Type 24012



5 MB 12

Ampere Poles	16 5	32 3	32 4	32 5
a	84.0	90.0	90.0	90.0
b	84.0	75.0	75.0	75.0
c	64.0	78.0	78.0	78.0
d	64.0	45.0	45.0	45.0
e ø	5.5	5.5	5.5	5.5
g	105.0	114.0	114.0	115.0
h	138.0	149.0	149.0	150.0
i	10.0	13.0	13.0	13.0
k ø	23.0	29.0	29.0	29.0
l	M20	M25	M25	M25
m	28.0	27.0	27.0	27.0
Cond. mm² min	1	2.5	2.5	2.5
Cond. mm² max	2.5	6	6	6

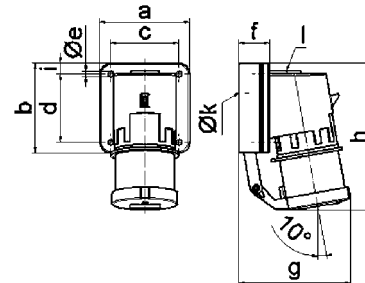
Surface Mounting Appliance Inlet Quick-Connect TE

- Screwless terminals
- With hinged lid
- High-temperature-resistant contact carrier
- Nickel plated contacts
- Protection degree IP44

		110V 50-60 Hz	230V 50-60 Hz	400V 50-60 Hz	500V 50-60 Hz	100-300Hz > 50V	301-500Hz > 50V											
2P+E Ampere	3P+E Poles	3pol 4h	4pol 4h	5pol 4h	3pol 6h	4pol 9h	5pol 9h	3pol 7h	4pol 7h	5pol 7h	3pol 10h	4pol 10h	5pol 10h	3pol 2h	4pol 2h	5pol 2h	Qty	each
16	5				24414									10			270	
32	5				24415									10			370	



Fig.: Type 24415



5 MB 96

Ampere Poles	16 5	32 5
a	84.0	90.0
b	84.0	75.0
c	64.0	78.0
d	64.0	45.0
e ø	5.5	5.5
f	29.0	29.0
g	105.0	115.0
h	138.0	150.0
i	10.0	13.0
k ø	23.0	29.0
l	M20	M25
Cond. mm² min	1	2.5
Cond. mm² max	2.5	6

SURFACE MOUNTING APPLIANCE INLETS

- IEC 60309-1/2, EN 60309, VDE 0623
- Protection degree IP67

Surface Mounting Appliance Inlet

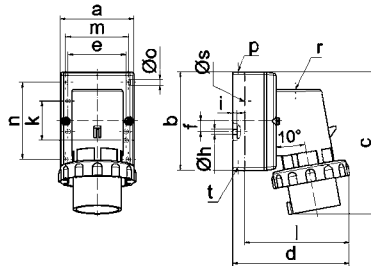
- Screw terminals
- Nickel plated contacts
- Terminal for 1 mm² to 2.5 mm² conductor for 16A
- Terminal for 2.5 mm² to 6 mm² conductor for 32A
- Protection degree IP67

Accessories:
Closure cap: see page 102/3

Ampere	Poles	110V 50-60 Hz	230V 50-60 Hz	400V 50-60 Hz	500V 50-60 Hz	100-300Hz > 50V	301-500Hz > 50V	Qty	each
		3pol 4pol 5pol 4h 4h 4h	3pol 4pol 5pol 6h 9h 9h	3pol 4pol 5pol 9h 6h 6h	3pol 4pol 5pol 7h 7h 7h	3pol 4pol 5pol 10h 10h 10h	3pol 4pol 5pol 2h 2h 2h		
16	3	2472	2473	2474				10	205
16	4	2475	2476	2477	2478	2479	2480	10	245
16	5	2481	2482	2483	24114			10	265
32	3	24154	24020					10	310
32	4		24101	24021	24022			10	325
32	5			2402	24079			10	340



Fig.: Type 2483



5 MB 128

Ampere Poles	16 3	16 4	16 5	32 3	32 4	32 5
a	64.0	75.0	84.0	90.0	90.0	90.0
b	87.0	100.0	84.0	75.0	75.0	75.0
c	137.0	151.0	136.0	138.0	138.0	139.0
d	112.0	119.0	-	122.0	122.0	123.0
e	51.0	59.0	-	-	-	-
f	-	11.0	-	-	-	-
h ø	4.1	5.1	-	-	-	-
i	4.5	4.5	-	-	-	-
k	40.0	-	-	-	-	-
l	-	-	111.0	-	-	-
m	-	-	64.0	78.0	78.0	78.0
n	-	-	64.0	45.0	45.0	45.0
o ø	-	-	5.5	5.5	5.5	5.5
p	M20	M20	-	-	-	-
r	-	-	M20	M25	M25	M25
s ø	-	-	23.0	29.0	29.0	29.0
t	for M20	for M20	-	-	-	-

3

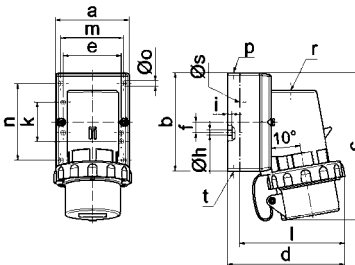
Surface Mounting Appliance Inlet

- With closure cap
- Nickel plated contacts
- Terminal for 1 mm² to 2.5 mm² conductor for 16A
- Terminal for 2.5 mm² to 6 mm² conductor for 32A
- Protection degree IP67



Fig.: Type 2495

Ampere	Poles	110V 50-60 Hz	230V 50-60 Hz	400V 50-60 Hz	500V 50-60 Hz	100-300Hz > 50V	301-500Hz > 50V	Qty	each
		3pol 4pol 5pol 4h 4h 4h	3pol 4pol 5pol 6h 9h 9h	3pol 4pol 5pol 9h 6h 6h	3pol 4pol 5pol 7h 7h 7h	3pol 4pol 5pol 10h 10h 10h	3pol 4pol 5pol 2h 2h 2h		
16	3	2484	2485	2486				10	245
16	4	2487	2488	2489	2490	2491	2492	10	350
16	5	2493	2494	2495				10	315
32	3	24216	24023					10	370
32	4			24024	24025			10	395
32	5			24013	24089	24078		10	410



5 MB 127

Ampere Poles	16 3	16 4	16 5	32 3	32 4	32 5
a	64.0	75.0	84.0	90.0	90.0	90.0
b	87.0	100.0	84.0	75.0	75.0	75.0
c	137.0	151.0	137.0	147.0	147.0	148.0
d	112.0	119.0	-	122.0	122.0	123.0
e	51.0	59.0	-	-	-	-
f	-	11.0	-	-	-	-
h ø	4.1	5.1	-	-	-	-
i	4.5	4.5	-	-	-	-
k	40.0	-	-	-	-	-
l	-	-	111.0	-	-	-
m	-	-	64.0	78.0	78.0	78.0
n	-	-	64.0	45.0	45.0	45.0
o ø	-	-	5.5	5.5	5.5	5.5
p	M20	M20	-	-	-	-
r	-	-	M20	M25	M25	M25
s ø	-	-	23.0	29.0	29.0	29.0
t	for M20	for M20	-	-	-	-

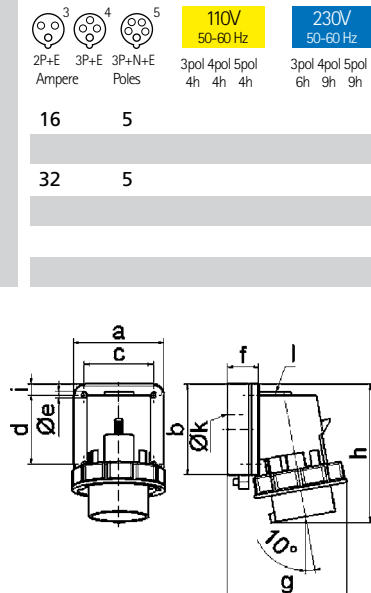
Surface Mounting Appliance Inlet Quick-Connect TE

- Screwless terminal
- Nickel plated contacts
- Terminal for 1 mm² to 2.5 mm² conductor for 16A
- Terminal for 2.5 mm² to 6 mm² conductor for 32A
- Protection degree IP67

Accessories: Closure cap: see page 102/3



Fig.: Type 24418



5 MB 129

Ampere Poles	16 5	32 5
a	84.0	90.0
b	84.0	75.0
c	64.0	78.0
d	64.0	45.0
e ø	5.5	5.5
f	28.0	28.0
g	111.0	123.0
h	136.0	139.0
i	10.0	13.0
k ø	23.0	29.0
l	M20	M25

SURFACE MOUNTING APPLIANCE INLETS

- IEC 60309-1/2, EN 60309, VDE 0623
- Protection degree IP67

Surface Mounting Appliance Inlet Quick-Connect TE

- Screwless terminal
- With closure cap
- Nickel plated contacts
- Terminal for 1 mm² to 2.5 mm² conductor for 16A
- Terminal for 2.5 mm² to 6 mm² conductor for 32A
- Protection degree IP67

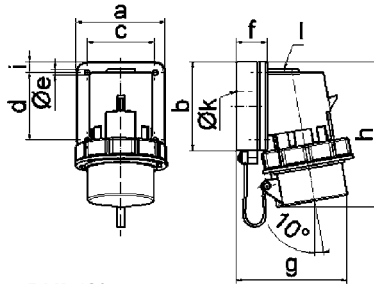
		110V 50-60 Hz	230V 50-60 Hz	400V 50-60 Hz	500V 50-60 Hz	100-300Hz > 50V	301-500Hz > 50V	Qty	g								
2P+E Ampere	3P+E Poles	3pol 4h	4pol 4h	5pol 4h	3pol 6h	4pol 9h	5pol 9h	3pol 7h	4pol 7h	5pol 7h	3pol 10h	4pol 10h	5pol 10h	3pol 2h	4pol 2h	5pol 2h	each

16	5	24258							10	340
----	---	--------------	--	--	--	--	--	--	----	-----

32	5	24419							10	430
----	---	--------------	--	--	--	--	--	--	----	-----



Fig.: Type 24419



5 MB 130

Ampere Poles	16	32
a	84.0	90.0
b	84.0	75.0
c	64.0	78.0
d	64.0	45.0
e ø	5.5	5.5
f	28.0	28.0
g	111.0	123.0
h	137.0	148.0
i	10.0	13.0
k ø	23.0	29.0
l	M20	M25

Surface Mounting Appliance Inlet

- Screw terminals
- Box terminals
- Cable entry 1x at top (open), 2x at bottom (closed)
- Base rotatable by 180°
- Nickel plated contacts
- Protection degree IP67

		110V 50-60 Hz	230V 50-60 Hz	400V 50-60 Hz	500V 50-60 Hz	100-300Hz > 50V	301-500Hz > 50V	Qty	g								
2P+E Ampere	3P+E Poles	3pol 4h	4pol 4h	5pol 4h	3pol 6h	4pol 9h	5pol 9h	3pol 7h	4pol 7h	5pol 7h	3pol 10h	4pol 10h	5pol 10h	3pol 2h	4pol 2h	5pol 2h	each

63	3	24140	24340	24145										5	845
----	---	--------------	--------------	--------------	--	--	--	--	--	--	--	--	--	---	-----

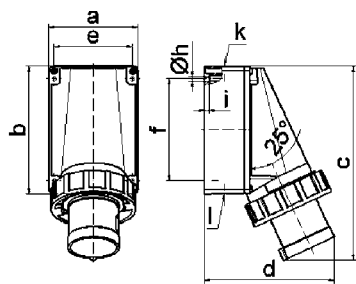
63	4	24232	24341	24035	24342									5	990
----	---	--------------	--------------	--------------	--------------	--	--	--	--	--	--	--	--	---	-----

63	5			24062		24320								5	1040
----	---	--	--	--------------	--	--------------	--	--	--	--	--	--	--	---	------

Accessories: closure cap, see page 102/3



Fig.: Type 24062



5 MB 37

Ampere Poles	63	63	63
a	118.0	118.0	118.0
b	170.0	170.0	170.0
c	259.0	259.0	259.0
d	174.0	174.0	174.0
e	104.0	104.0	104.0
f	136.0	136.0	136.0
h ø	6.1	6.1	6.1
i	6.0	6.0	6.0
k	M40	M40	M40
l	M32/32	M32/32	M32/32
Cond. mm ² min	6	6	6
Cond. mm ² max	16	16	16

Surface Mounting Appliance Inlet

- Screw terminals
- Box terminals
- High-temperature-resistant contact carrier
- Nickel plated contacts
- Protection degree IP67

		110V 50-60 Hz	230V 50-60 Hz	400V 50-60 Hz	500V 50-60 Hz	100-300Hz > 50V	301-500Hz > 50V	Qty	g								
2P+E Ampere	3P+E Poles	3pol 4h	4pol 4h	5pol 4h	3pol 6h	4pol 9h	5pol 9h	3pol 7h	4pol 7h	5pol 7h	3pol 10h	4pol 10h	5pol 10h	3pol 2h	4pol 2h	5pol 2h	each

125	3	24197	24198	24220										1	1835
-----	---	--------------	--------------	--------------	--	--	--	--	--	--	--	--	--	---	------

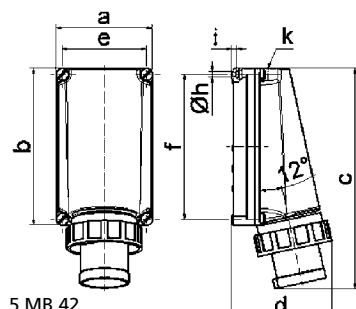
125	4	24221	24199	24200	24201									1	2140
-----	---	--------------	--------------	--------------	--------------	--	--	--	--	--	--	--	--	---	------

125	5	24222		24202			24279							1	2245
-----	---	--------------	--	--------------	--	--	--------------	--	--	--	--	--	--	---	------

Accessories: closure cap, see page 102/3



Fig.: Type 24202



5 MB 42

Ampere Poles	125	125	125
a	160.0	160.0	160.0
b	260.0	260.0	260.0
c	364.0	364.0	364.0
d	165.0	165.0	165.0
e	140.0	140.0	140.0
f	240.0	240.0	240.0
h ø	8.3	8.3	8.3
i	10.0	10.0	10.0
k	M50	M50	M50
Cond. mm ² min	16	16	16
Cond. mm ² max	50	50	50

PANEL MOUNTING APPLIANCE INLETS

- With screwless Quick-Connect technology
- IEC 60309-1/2, EN 60309, VDE 0623
- Protection degree IP67

Panel Mounting Appliance Inlet Quick-Connect TE

- Screwless terminals
- High-temperature-resistant contact carrier
- Nickel plated contacts
- Protection degree IP67

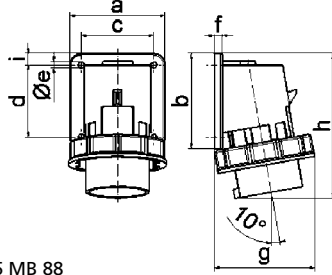
Accessories:
Closure cap: see page 102/3

2P+E Ampere		3P+E Poles		3P+N+E Poles		110V 50-60 Hz	230V 50-60 Hz	400V 50-60 Hz	500V 50-60 Hz	100-300Hz > 50V	301-500Hz > 50V	Qty	g
16	32	5	5	3pol 4pol 5pol 4h 4h 4h	3pol 4pol 5pol 6h 9h 9h	3pol 4pol 5pol 9h 6h 6h	3pol 4pol 5pol 7h 7h 7h	3pol 4pol 5pol 10h 10h 10h	3pol 4pol 5pol 2h 2h 2h			10	210
								26054					
								26055				10	300



Fig.: Type 26054

5 MB 88



Ampere	16	32
Poles	5	5
a	84.0	90.0
b	84.0	75.0
c	64.0	78.0
d	64.0	45.0
e ø	5.5	5.5
f	7.0	7.0
g	90.0	101.0
h	129.0	139.0
i	10.0	13.0
Cond. mm² min	1	2.5
Cond. mm² max	2.5	6

Panel Mounting Appliance Inlet Quick-Connect TE

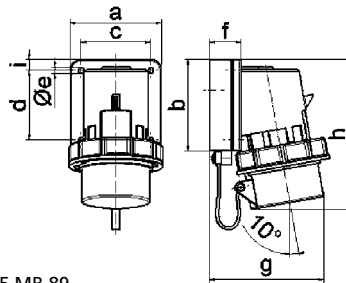
- Screwless terminals
- With closure cap
- High-temperature-resistant contact carrier
- Nickel plated contacts
- Protection degree IP67

Fig.: Type 26056

2P+E Ampere		3P+E Poles		3P+N+E Poles		110V 50-60 Hz	230V 50-60 Hz	400V 50-60 Hz	500V 50-60 Hz	100-300Hz > 50V	301-500Hz > 50V	Qty	g
16	32	5	5	3pol 4pol 5pol 4h 4h 4h	3pol 4pol 5pol 6h 9h 9h	3pol 4pol 5pol 9h 6h 6h	3pol 4pol 5pol 7h 7h 7h	3pol 4pol 5pol 10h 10h 10h	3pol 4pol 5pol 2h 2h 2h			10	335
								26056					
								26057				10	425



5 MB 89



Ampere	16	32
Poles	5	5
a	84.0	90.0
b	84.0	75.0
c	64.0	78.0
d	64.0	45.0
e ø	5.5	5.5
f	28.0	28.0
g	111.0	123.0
h	137.0	148.0
i	10.0	13.0
Cond. mm² min	1	2.5
Cond. mm² max	2.5	6

PANEL MOUNTING APPLIANCE INLETS

- IEC 60309-1/2, EN 60309, VDE 0623
- Protection degree IP44

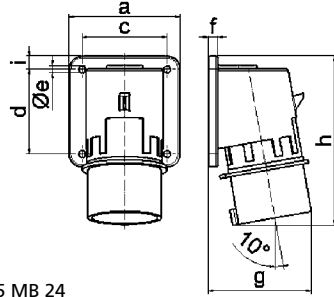
Panel Mounting Appliance Inlet

- Screw terminals
- Protection degree IP44

Ampere	Poles	110V 50-60 Hz			230V 50-60 Hz			400V 50-60 Hz			500V 50-60 Hz			100-300Hz > 50V			301-500Hz > 50V			Qty	each
		2P+E 4h	3P+E 4h	3P+N+E 4h	3pol 4h	4pol 4h	5pol 4h	3pol 6h	4pol 9h	5pol 9h	3pol 9h	4pol 6h	5pol 6h	3pol 7h	4pol 7h	5pol 7h	3pol 10h	4pol 10h	5pol 10h		
16	3				260		261		262										10	140	
16	4				263		264		265		266		267		268				10	180	
16	5				2610		2611		2612		2649				26036				10	180	
32	3						2662												10	200	
32	4				26026		2684		2663		2664		2679		26028				10	225	
32	5				26023		26030		2600		26065				26029				10	230	



Fig.: Type 2612



5 MB 24

Ampere Poles	16 3	16 4	16 5	32 3	32 4	32 5
a	74.0	75.0	84.0	90.0	90.0	90.0
b	84.0	100.0	84.0	75.0	75.0	75.0
c	58.0	62.0	64.0	78.0	78.0	78.0
d	64.0	74.0	64.0	45.0	45.0	45.0
e ø	5.5	4.3	5.5	5.5	5.5	5.5
f	12.0	12.0	7.0	7.0	7.0	7.0
g	70.0	77.0	78.0	86.0	86.0	88.0
h	128.0	145.0	129.0	138.0	138.0	140.0
i	-	-	-	13.0	13.0	13.0
Cond. mm² min	1	1	1	2.5	2.5	2.5
Cond. mm² max	2.5	2.5	2.5	6	6	6

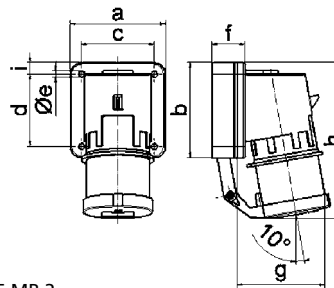
Panel Mounting Appliance Inlet

- Screw terminals
- With hinged lid
- Protection degree IP44

Ampere	Poles	110V 50-60 Hz			230V 50-60 Hz			400V 50-60 Hz			500V 50-60 Hz			100-300Hz > 50V			301-500Hz > 50V			Qty	each
		2P+E 4h	3P+E 4h	3P+N+E 4h	3pol 4h	4pol 4h	5pol 4h	3pol 6h	4pol 9h	5pol 9h	3pol 9h	4pol 6h	5pol 6h	3pol 7h	4pol 7h	5pol 7h	3pol 10h	4pol 10h	5pol 10h		
16	3				2625		2626		2627										10	165	
16	4				2628		2629		2630		2631		2632		2633				10	200	
16	5				2634		2635		2636		2671								10	265	
32	3						2656												10	300	
32	4						2685		2657		2658								10	315	
32	5				26015				2655										10	340	



Fig.: Type 2655



5 MB 2

Ampere Poles	16 3	16 4	16 5	32 3	32 4	32 5
a	74.0	75.0	84.0	90.0	90.0	90.0
b	84.0	100.0	84.0	75.0	75.0	75.0
c	58.0	62.0	64.0	78.0	78.0	78.0
d	64.0	74.0	64.0	45.0	45.0	45.0
e ø	5.5	4.3	5.5	5.5	5.5	5.5
f	12.0	12.0	29.0	29.0	29.0	29.0
g	78.0	88.0	105.0	114.0	114.0	115.0
h	134.0	151.0	138.0	149.0	149.0	150.0
i	-	-	-	13.0	13.0	13.0
Cond. mm² min	1	1	1	2.5	2.5	2.5
Cond. mm² max	2.5	2.5	2.5	6	6	6

PANEL MOUNTING APPLIANCE INLETS

- IEC 60309-1/2, EN 60309, VDE 0623
- Protection degree IP67

Panel Mounting Appliance Inlet

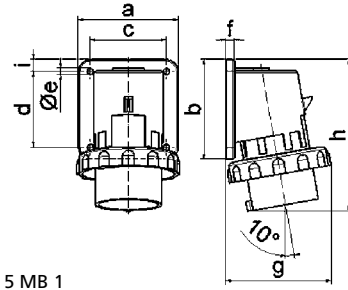
- Screw terminals
- Nickel plated contacts
- Protection degree IP67

- Accessories:
- Closure cap: see page 102/3

Ampere	Poles	110V 50-60 Hz			230V 50-60 Hz			400V 50-60 Hz			500V 50-60 Hz			100-300Hz > 50V			301-500Hz > 50V			Qty	g each
		2P+E	3P+E	3P+N+E	3pol 4h	4pol 4h	5pol 4h	3pol 6h	4pol 9h	5pol 9h	3pol 9h	4pol 6h	5pol 6h	3pol 7h	4pol 7h	5pol 7h	3pol 10h	4pol 10h	5pol 10h		
16	3				2613		2614		2615										10	160	
16	4				2616		2617		2618		2619		2620		2621				10	180	
16	5				2622		2623		2624		2650								10	205	
32	3				26033		2665												10	250	
32	4						2694		2666		2667								10	265	
32	5								2601										10	280	



Fig.: Type 2601



5 MB 1

Ampere	16	16	16	32	32	32
Poles	3	4	5	3	4	5
a	74.0	75.0	84.0	90.0	90.0	90.0
b	84.0	100.0	84.0	75.0	75.0	75.0
c	58.0	62.0	64.0	78.0	78.0	78.0
d	64.0	74.0	64.0	45.0	45.0	45.0
e ø	5.5	4.3	5.5	5.5	5.5	5.5
f	12.0	12.0	7.0	7.0	7.0	7.0
g	80.0	88.0	90.0	100.0	100.0	101.0
h	128.0	145.0	129.0	138.0	138.0	139.0
i	-	-	10.0	13.0	13.0	13.0
Cond. mm² min	1	1	1	2.5	2.5	2.5
Cond. mm² max	2.5	2.5	2.5	6	6	6

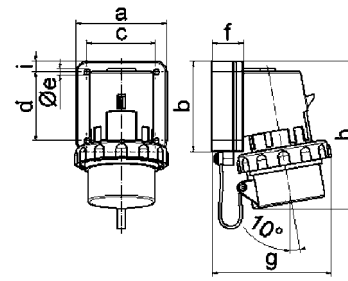
Panel Mounting Appliance Inlet

- Screw terminals
- With closure cap
- Nickel plated contacts
- Protection degree IP67



Fig.: Type 2604

Ampere	Poles	110V 50-60 Hz			230V 50-60 Hz			400V 50-60 Hz			500V 50-60 Hz			100-300Hz > 50V			301-500Hz > 50V			Qty	g each
		2P+E	3P+E	3P+N+E	3pol 4h	4pol 4h	5pol 4h	3pol 6h	4pol 9h	5pol 9h	3pol 9h	4pol 6h	5pol 6h	3pol 7h	4pol 7h	5pol 7h	3pol 10h	4pol 10h	5pol 10h		
16	3				2637		2638		2639										10	200	
16	4				2640		2641		2642		2643		2644		2645				10	280	
16	5				2646		2647		2648										10	310	
32	3						2659												10	370	
32	4								2660		2661								10	390	
32	5								2604										10	405	



5 MB 3

Ampere	16	16	16	32	32	32
Poles	3	4	5	3	4	5
a	74.0	75.0	84.0	90.0	90.0	90.0
b	84.0	100.0	84.0	75.0	75.0	75.0
c	58.0	62.0	64.0	78.0	78.0	78.0
d	64.0	74.0	64.0	45.0	45.0	45.0
e ø	5.5	4.3	5.5	5.5	5.5	5.5
f	12.0	12.0	29.0	29.0	29.0	29.0
g	80.0	88.0	111.0	123.0	123.0	123.0
h	133.0	152.0	134.0	147.0	147.0	148.0
i	-	-	10.0	13.0	13.0	13.0
Cond. mm² min	1	1	1	2.5	2.5	2.5
Cond. mm² max	2.5	2.5	2.5	6	6	6

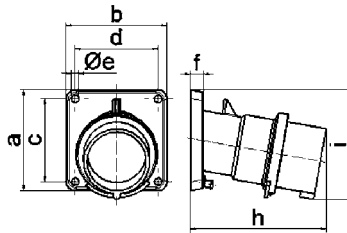
APPLIANCE INLETS WITH FLANGE

- IEC 60309-1/2, EN 60309, VDE 0623
- Protection degree IP44

Appliance Inlet with Flange Quick-Connect TE

- Screwless terminals
- 10° angled
- High-temperature-resistant contact carrier
- Nickel plated contacts
- Protection degree IP44

Amperage	Poles	110V 50-60 Hz			230V 50-60 Hz			400V 50-60 Hz			500V 50-60 Hz			100-300Hz > 50V			301-500Hz > 50V			Qty	each
		3pol 4h	4pol 4h	5pol 4h	3pol 6h	4pol 9h	5pol 9h	3pol 9h	4pol 6h	5pol 6h	3pol 7h	4pol 7h	5pol 7h	3pol 10h	4pol 10h	5pol 10h	3pol 2h	4pol 2h	5pol 2h		
16	3	27209			27121			27210											10	140	
16	4	27211			27207			27122											10	215	
16	5	27215			27216			27124											10	240	
32	3	27218			27219			27220											10	275	
32	4	27221			27222			27223											10	250	
32	5	27247			27248			27249											10	315	



Ampere Poles	16 3	16 4	16 5	32 3	32 4	32 5
a	85.0	85.0	85.0	85.0	85.0	85.0
b	85.0	85.0	85.0	85.0	85.0	85.0
c	70.0	70.0	70.0	70.0	70.0	70.0
d	70.0	70.0	70.0	70.0	70.0	70.0
e ø	6.3	6.3	6.3	6.3	6.3	6.3
f	11.0	11.0	11.0	11.0	11.0	11.0
h	104.0	110.0	116.0	121.0	121.0	127.0
i	83.0	90.0	92.0	96.0	96.0	100.0
Cond. mm² min	1	1	1	2.5	2.5	2.5
Cond. mm² max	2.5	2.5	2.5	6	6	6

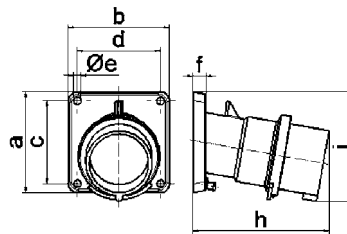
Fig.: Type 27124

5 MB 21

Appliance Inlet with Flange TE

- Screw terminals
- 10° angled
- Box terminals
- High-temperature-resistant contact carrier
- Nickel plated contacts
- Protection degree IP44

Amperage	Poles	110V 50-60 Hz			230V 50-60 Hz			400V 50-60 Hz			500V 50-60 Hz			100-300Hz > 50V			301-500Hz > 50V			Qty	each
		3pol 4h	4pol 4h	5pol 4h	3pol 6h	4pol 9h	5pol 9h	3pol 9h	4pol 6h	5pol 6h	3pol 7h	4pol 7h	5pol 7h	3pol 10h	4pol 10h	5pol 10h	3pol 2h	4pol 2h	5pol 2h		
63	3	2770			2771			2772											5	550	
63	4	2773			2774			2775											5	570	
63	5	2779			2780			2781											5	625	



Ampere Poles	63 3	63 4	63 5
a	107.0	107.0	107.0
b	100.0	100.0	100.0
c	85.0	85.0	85.0
d	77.0	77.0	77.0
e ø	6.5	6.5	6.5
f	12.0	12.0	12.0
h	155.0	155.0	155.0
i	118.0	118.0	118.0
Cond. mm² min	6	6	6
Cond. mm² max	16	16	16

Fig.: Type 2781

5 MB 21

APPLIANCE INLETS WITH FLANGE

- IEC 60309-1/2, EN 60309, VDE 0623
- Protection degree IP67

Appliance Inlet with Flange Quick-Connect TE

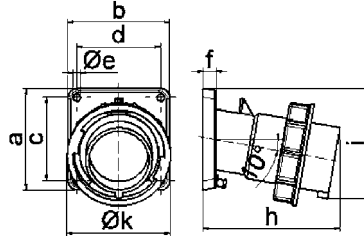
- Screwless terminals
- 10° angled
- High-temperature-resistant contact carrier
- Nickel plated contacts
- Protection degree IP67

Accessories: closure cap, see page 102/3

Ampere	Poles	110V 50-60 Hz			230V 50-60 Hz			400V 50-60 Hz			500V 50-60 Hz			100-300Hz > 50V			301-500Hz > 50V			Qty	each
		3pol 4h	4pol 4h	5pol 4h	3pol 6h	4pol 9h	5pol 9h	3pol 9h	4pol 6h	5pol 6h	3pol 7h	4pol 7h	5pol 7h	3pol 10h	4pol 10h	5pol 10h	3pol 2h	4pol 2h	5pol 2h		
16	3	27227			2783			27228											10	175	
16	4	27229			2786			2787											10	220	
16	5	27233			27234			2793											10	245	
32	3	27235			27236			27237											10	275	
32	4	27238			27239			27240											10	295	
32	5	27244			27245			27246											10	335	



Fig.: Type 2793



5 MB 22

Ampere	16	16	16	32	32	32
Poles	3	4	5	3	4	5
a	85.0	85.0	85.0	85.0	85.0	85.0
b	85.0	85.0	85.0	85.0	85.0	85.0
c	70.0	70.0	70.0	70.0	70.0	70.0
d	70.0	70.0	70.0	70.0	70.0	70.0
e ø	6.3	6.3	6.3	6.3	6.3	6.3
f	11.0	11.0	11.0	11.0	11.0	11.0
h	104.0	110.0	116.0	121.0	121.0	127.0
i	83.0	90.0	92.0	96.0	96.0	100.0
k	70.5	79.5	86.5	95.0	95.0	101.5
Cond. mm² min	1	1	1	2.5	2.5	2.5
Cond. mm² max	2.5	2.5	2.5	6	6	6

Appliance Inlet with Flange TE

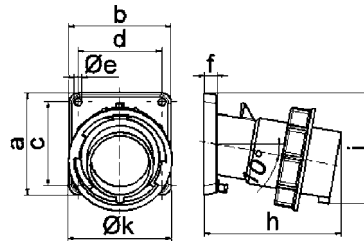
- Screw terminals
- 10° angled
- Box terminals
- High-temperature-resistant contact carrier
- Nickel plated contacts
- Protection degree IP67

Accessories: closure cap, see page 102/3

Ampere	Poles	110V 50-60 Hz			230V 50-60 Hz			400V 50-60 Hz			500V 50-60 Hz			100-300Hz > 50V			301-500Hz > 50V			Qty	each
		3pol 4h	4pol 4h	5pol 4h	3pol 6h	4pol 9h	5pol 9h	3pol 9h	4pol 6h	5pol 6h	3pol 7h	4pol 7h	5pol 7h	3pol 10h	4pol 10h	5pol 10h	3pol 2h	4pol 2h	5pol 2h		
63	3	27006			27007			27008											5	575	
63	4	27009			27010			27011											5	640	
63	5	27015			27016			27017											5	695	



Fig.: Type 27017



5 MB 22

Ampere	63	63	63			
Poles	3	4	5			
a	107.0	107.0	107.0			
b	100.0	100.0	100.0			
c	85.0	85.0	85.0			
d	77.0	77.0	77.0			
e ø	6.5	6.5	6.5			
f	12.0	12.0	12.0			
h	155.0	155.0	155.0			
i	118.0	118.0	118.0			
k	113.5	113.5	113.5			
Cond. mm² min	6	6	6			
Cond. mm² max	16	16	16			

Appliance Inlet with Flange TE

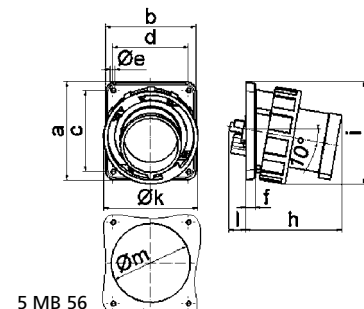
- Screw terminals
- 10° angled
- Box terminals
- High-temperature-resistant contact carrier
- Nickel plated contacts
- Protection degree IP67

Accessories: closure cap, see page 102/3

Ampere	Poles	110V 50-60 Hz			230V 50-60 Hz			400V 50-60 Hz			500V 50-60 Hz			100-300Hz > 50V			301-500Hz > 50V			Qty	each
		3pol 4h	4pol 4h	5pol 4h	3pol 6h	4pol 9h	5pol 9h	3pol 9h	4pol 6h	5pol 6h	3pol 7h	4pol 7h	5pol 7h	3pol 10h	4pol 10h	5pol 10h	3pol 2h	4pol 2h	5pol 2h		
125	3	2735			2736			2737											5	905	
125	4	2738			2739			2740											5	1020	
125	5	2742			2743			2744											5	1115	



Fig.: Type 2744



5 MB 56

Ampere	125	125	125			
Poles	3	4	5			
a	130.0	130.0	130.0			
b	120.0	120.0	120.0			
c	108.0	108.0	108.0			
d	100.0	100.0	100.0			
e ø	6.5	6.5	6.5			
f	13.0	13.0	13.0			
h	130.0	130.0	130.0			
i	135.0	135.0	135.0			
k	126.0	126.0	126.0			
l	23.0	23.0	23.0			
m ø	105.0	105.0	105.0			
Cond. mm² min	16	16	16			
Cond. mm² max	50	50	50			

APPLIANCE INLETS WITH FLANGE, straight

- IEC 60309-1/2, EN 60309, VDE 0623
- Protection degree IP44

Appliance Inlet with Flange Quick-Connect

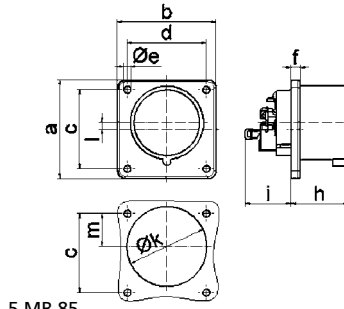
- Screwless terminals
- Flange 75 x 75 mm
- Protection degree IP44

(If used, a retaining nose must be provided.)



Fig.: Type 282002

Ampere	Poles	110V 50-60 Hz	230V 50-60 Hz	400V 50-60 Hz	500V 50-60 Hz	100-300Hz > 50V	301-500Hz > 50V	Qty	each
		3pol 4pol 5pol 4h 4h 4h	3pol 4pol 5pol 6h 9h 9h	3pol 4pol 5pol 9h 6h 6h	3pol 4pol 5pol 7h 7h 7h	3pol 4pol 5pol 10h 10h 10h	3pol 4pol 5pol 2h 2h 2h		
16	3	28001	28111				28002	10	90
16	4	28003	28017	28112	28004		28005	10	105
16	5		28006	282001			28008	10	125
32	3	28009	28010					10	145
32	4		28011	28012	28013			10	165
32	5	28014	28015	282002				10	195



5 MB 85

Ampere Poles	16 3	16 4	16 5	32 3	32 4	32 5
a	75.0	75.0	75.0	75.0	75.0	75.0
b	75.0	75.0	75.0	75.0	75.0	75.0
c	60.0	60.0	60.0	60.0	60.0	60.0
d	60.0	60.0	60.0	60.0	60.0	60.0
e ø	5.5	5.5	5.5	5.5	5.5	5.5
f	7.0	7.0	7.0	7.0	7.0	7.0
h	43.0	43.0	43.0	53.0	53.0	53.0
i	39.0	39.0	39.0	50.0	50.0	50.0
k ø	42.0	48.0	61.0	57.0	57.0	60.0
l	-	-	5.0	2.0	2.0	-
m	30.0	30.0	25.0	28.0	28.0	30.0
Cond. mm² min	1	1	1	2.5	2.5	2.5
Cond. mm² max	2.5	2.5	2.5	6	6	6

Appliance Inlet with Flange

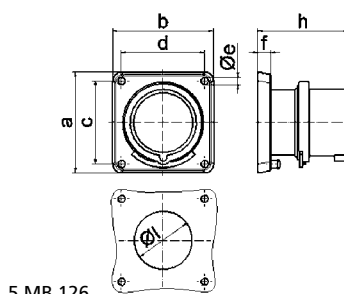
- Screw terminals
- Protection degree IP44

(If used, a retaining nose must be provided.)



Fig.: Type 28108

Ampere	Poles	110V 50-60 Hz	230V 50-60 Hz	400V 50-60 Hz	500V 50-60 Hz	100-300Hz > 50V	301-500Hz > 50V	Qty	each
		3pol 4pol 5pol 4h 4h 4h	3pol 4pol 5pol 6h 9h 9h	3pol 4pol 5pol 9h 6h 6h	3pol 4pol 5pol 7h 7h 7h	3pol 4pol 5pol 10h 10h 10h	3pol 4pol 5pol 2h 2h 2h		
16	3		2898					10	155
16	4			28100				10	170
16	5			28102				10	185
32	3		28104					10	
32	4			28106				10	
32	5			28108				10	240



5 MB 126

Ampere Poles	16 3	16 4	16 5	32 3	32 4	32 5
a	85.0	85.0	85.0	85.0	85.0	85.0
b	85.0	85.0	85.0	85.0	85.0	85.0
c	70.0	70.0	70.0	70.0	70.0	70.0
d	70.0	70.0	70.0	70.0	70.0	70.0
e ø	6.3	6.3	6.3	6.3	6.3	6.3
f	11.0	11.0	11.0	11.0	11.0	11.0
h	75.5	75.0	76.5	85.0	85.0	85.0
l ø	49.0	49.0	49.0	49.0	49.0	49.0
Cond. mm² min	1	1	1	2.5	2.5	2.5
Cond. mm² max	2.5	2.5	2.5	6	6	6

Appliance Inlet with Flange

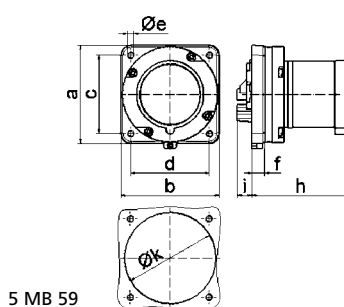
- Screw terminals
- Box terminals
- High-temperature-resistant contact carrier
- Nickel plated contacts
- Protection degree IP44

(If used, a retaining nose must be provided.)



Fig.: Type 2837

Ampere	Poles	110V 50-60 Hz	230V 50-60 Hz	400V 50-60 Hz	500V 50-60 Hz	100-300Hz > 50V	301-500Hz > 50V	Qty	each
		3pol 4pol 5pol 4h 4h 4h	3pol 4pol 5pol 6h 9h 9h	3pol 4pol 5pol 9h 6h 6h	3pol 4pol 5pol 7h 7h 7h	3pol 4pol 5pol 10h 10h 10h	3pol 4pol 5pol 2h 2h 2h		
63	3	2880	2834			2869		5	465
63	4		2841	2833	2864			5	530
63	5			2837	2858			5	580



5 MB 59

Ampere Poles	63 3	63 4	63 5
a	110.0	110.0	110.0
b	106.0	106.0	106.0
c	90.0	90.0	90.0
d	90.0	90.0	90.0
e ø	5.5	5.5	5.5
f	13.0	13.0	13.0
h	96.0	96.0	96.0
i	19.0	19.0	19.0
k	93.0	93.0	93.0
Cond. mm² min	6	6	6
Cond. mm² max	16	16	16

APPLIANCE INLETS WITH FLANGE, straight

- IEC 60309-1/2, EN 60309, VDE 0623
- Protection degree IP67

Appliance Inlet with Flange

- Screw terminals
- High-temperature-resistant contact carrier
- Nickel plated contacts
- Protection degree IP67

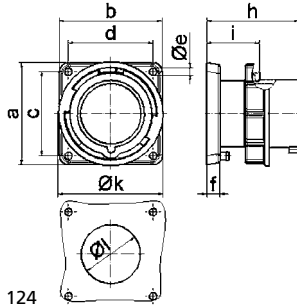
(If used, a retaining nose must be provided.)

Accessories: closure cap, see page 102/3



Fig.: Type 28109

Ampere	Poles	110V 50-60 Hz			230V 50-60 Hz			400V 50-60 Hz			500V 50-60 Hz			100-300Hz > 50V			301-500Hz > 50V			Qty	each
		3pol	4pol	5pol	3pol	4pol	5pol	3pol	4pol	5pol	3pol	4pol	5pol	3pol	4pol	5pol	3pol	4pol	5pol		
16	3																		10	180	
16	4																		10	200	
16	5																		10	220	
32	3																		10	250	
32	4																		10	270	
32	5																		10	300	



Ampere	16	16	16	32	32	32
Poles	3	4	5	3	4	5
a	85.0	85.0	85.0	85.0	85.0	85.0
b	85.0	85.0	85.0	85.0	85.0	85.0
c	70.0	70.0	70.0	70.0	70.0	70.0
d	70.0	70.0	70.0	70.0	70.0	70.0
e Ø	6.3	6.3	6.3	6.3	6.3	6.3
f	11.0	11.0	11.0	11.0	11.0	11.0
h	75.5	75.0	76.5	85.0	85.0	85.0
i	44.0	44.0	44.0	44.0	44.0	44.0
k	70.5	78.5	86.5	94.0	94.0	101.5
l Ø	49.0	49.0	49.0	49.0	49.0	49.0
Cond. mm² min	1	1	1	2.5	2.5	2.5
Cond. mm² max	2.5	2.5	2.5	6	6	6

5 MB 124

Appliance Inlet with Flange TE

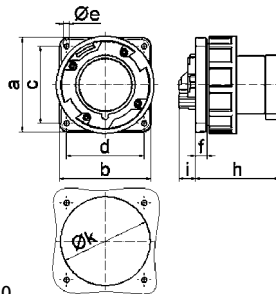
- Screw terminals
- Box terminals
- High-temperature-resistant contact carrier
- Nickel plated contacts
- Protection degree IP67

Accessories: closure cap, see page 102/3



Fig.: Type 2838

Ampere	Poles	110V 50-60 Hz			230V 50-60 Hz			400V 50-60 Hz			500V 50-60 Hz			100-300Hz > 50V			301-500Hz > 50V			Qty	each
		3pol	4pol	5pol	3pol	4pol	5pol	3pol	4pol	5pol	3pol	4pol	5pol	3pol	4pol	5pol					
63	3																		5	530	
63	4																		5	580	
63	5																		5	650	



Ampere	63	63	63
Poles	3	4	5
a	110.0	110.0	110.0
b	106.0	106.0	106.0
c	90.0	90.0	90.0
d	90.0	90.0	90.0
e Ø	5.5	5.5	5.5
f	13.0	13.0	13.0
h	96.0	96.0	96.0
i	19.0	19.0	19.0
k	93.0	93.0	93.0
Cond. mm² min	6	6	6
Cond. mm² max	16	16	16

5 MB 50

Appliance Inlet with Flange TE

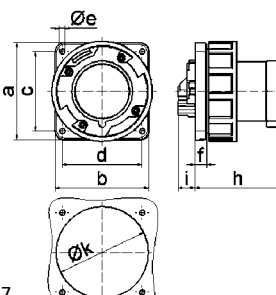
- Screw terminals
- Flange 120 x 120 mm
- Box terminals
- High-temperature-resistant contact carrier
- Nickel plated contacts
- Protection degree IP67

Accessories: closure cap, see page 102/3



Fig.: Type 2876

Ampere	Poles	110V 50-60 Hz			230V 50-60 Hz			400V 50-60 Hz			500V 50-60 Hz			100-300Hz > 50V			301-500Hz > 50V			Qty	each
		3pol	4pol	5pol	3pol	4pol	5pol	3pol	4pol	5pol	3pol	4pol	5pol	3pol	4pol	5pol					
125	3																		5	885	
125	4																		5	950	
125	5																		5	1110	



Ampere	125	125	125
Poles	3	4	5
a	120.0	120.0	120.0
b	120.0	120.0	120.0
c	100.0	100.0	100.0
d	100.0	100.0	100.0
e Ø	6.5	6.5	6.5
f	13.0	13.0	13.0
h	116.0	116.0	116.0
i	20.0	20.0	20.0
k	104.0	104.0	104.0
Cond. mm² min	16	16	16
Cond. mm² max	50	50	50

5 MB 57

APPLIANCE INLETS WITH FLANGE

- Particularly suitable for harsh operating conditions, especially resistant to aggressive atmospheres
- IEC 60309, EN 60309, VDE 0623
- Protection degree IP44/ IP67

Appliance Inlet with Flange Quick-Connect TE

- Screwless terminals
- 10° angled
- High-temperature-resistant contact carrier
- Nickel plated contacts
- Protection degree IP44

Dimension drawing: see page 91/1 (5 MB 21)



Fig.: Type 27249

2P+E Ampere	3P+E Poles	230V 50-60 Hz			400V 50-60 Hz			500V 50-60 Hz			Qty	9 each
		3pol 6h	4pol 9h	5pol 9h	3pol 9h	4pol 6h	5pol 6h	3pol 7h	4pol 7h	5pol 7h		
16	3		27121				27210				10	140
16	4		27207				27122		27212		10	215
16	5		27216				27124		27217		10	240
32	3		27219				27220				10	275
32	4		27222				27223		27224		10	250
32	5		27248				27249				10	315

Appliance Inlet with Flange TE

- Screw terminals
- 10° angled
- High-temperature-resistant contact carrier
- Box terminals
- Nickel plated contacts
- Protection degree IP44

Dimension drawing: see page 91/2 (5 MB 21)



Fig.: Type 2781

2P+E Ampere	3P+E Poles	230V 50-60 Hz			400V 50-60 Hz			500V 50-60 Hz			Qty	9 each
		3pol 6h	4pol 9h	5pol 9h	3pol 9h	4pol 6h	5pol 6h	3pol 7h	4pol 7h	5pol 7h		
63	3		2771				2772				5	515
63	4		2774				2775		2776		5	570
63	5		2780				2781				5	625

- Screwless terminals
- 10° angled
- High-temperature-resistant contact carrier
- Nickel plated contacts
- Protection degree IP67

Accessories: closure cap, see page 102/3
Dimension drawing: see page 92/1 (5 MB 22)

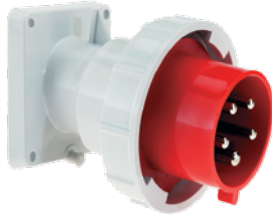


Fig.: Type 27246

2P+E Ampere	3P+E Poles	230V 50-60 Hz			400V 50-60 Hz			500V 50-60 Hz			Qty	9 each
		3pol 6h	4pol 9h	5pol 9h	3pol 9h	4pol 6h	5pol 6h	3pol 7h	4pol 7h	5pol 7h		
16	3		2783				27228				10	175
16	4		2786				2787		27230		10	220
16	5		27234				2793		27278		10	245
32	3		27236				27237				10	275
32	4		27239				27240		27241		10	295
32	5		27245				27246				10	335

Appliance Inlet with Flange TE

- Screw terminals
- 10° angled
- High-temperature-resistant contact carrier
- Box terminals
- Nickel plated contacts
- Protection degree IP67

Accessories: closure cap, see page 102/3
Dimension drawing: see page 92/2 (5 MB 22)



Fig.: Type 27017

2P+E Ampere	3P+E Poles	230V 50-60 Hz			400V 50-60 Hz			500V 50-60 Hz			Qty	9 each
		3pol 6h	4pol 9h	5pol 9h	3pol 9h	4pol 6h	5pol 6h	3pol 7h	4pol 7h	5pol 7h		
63	3		27007				27008				5	575
63	4		27010				27011		27012		5	640
63	5		27016				27017				5	695

Appliance Inlet with Flange TE

- Screw terminals
- 10° angled
- High-temperature-resistant contact carrier
- Box terminals
- Nickel plated contacts
- Protection degree IP67

Accessories: closure cap, see page 102/3
Dimension drawing: see page 92/3 (5 MB 56)



Fig.: Type 2744

2P+E Ampere	3P+E Poles	230V 50-60 Hz			400V 50-60 Hz			500V 50-60 Hz			Qty	9 each
		3pol 6h	4pol 9h	5pol 9h	3pol 9h	4pol 6h	5pol 6h	3pol 7h	4pol 7h	5pol 7h		
125	3		2736				2737				5	905
125	4		2739				2740		2741		5	1020
125	5		2743				2744		27024		5	1115

PHASE INVERTERS

- IEC 60309-1/2, EN 60309, VDE 0623
- Protection degree IP44/ IP67

Phase Inverter as Plug Quick-Connect with Multi-Grip

- Screwless terminals
- Screwless enclosure connection, self locking
- Special gland, simultaneous cable gland and seal
- Protection degree IP44

Dimension drawing: see page 78/1 (2 MB 99)



Fig.: Type 225

Ampere	Poles	230V 50-60 Hz			400V 50-60 Hz			Qty	each
		3pol 6h	4pol 9h	5pol 9h	3pol 9h	4pol 6h	5pol 6h		
16	4	22052			22053		10	135	
16	5	224			225		10	160	
32	4	22054			22055		10	250	
32	5	226			227		10	260	

Phase Inverter as Plug TE with Multi-Grip

- Screw terminals
- Special gland, simultaneous cable gland and seal
- High-temperature-resistant contact carrier
- Nickel plated contacts
- Protection degree IP44

Dimension drawing: see page 78/2 (2 MB 93)



Fig.: Type 2271

Ampere	Poles	230V 50-60 Hz			400V 50-60 Hz			Qty	each
		3P+E 6h	3P+N+E 9h	5pol 9h	3pol 9h	4pol 6h	5pol 6h		
16	5			2286			10	195	
32	5			2287			10	300	

Phase Inverter as Plug TE with Multi-Grip

- Screw terminals
- Special gland, simultaneous cable gland and seal
- High-temperature-resistant contact carrier
- Nickel plated contacts
- Protection degree IP67

Accessories: closure cap, see page 102/3

Dimension drawing: see page 79/1 (2 MB 94)



Fig.: Type 2251

Ampere	Poles	230V 50-60 Hz			400V 50-60 Hz			Qty	each
		3P+E 6h	3P+N+E 9h	5pol 9h	3pol 9h	4pol 6h	5pol 6h		
16	5			2266			10	230	
32	5			2267			10	360	

Phase Inverter as Surface Mounting Appliance Inlet

- Screw terminals
- High-temperature-resistant contact carrier
- Nickel plated contacts
- Protection degree IP44

Dimension drawing: see page 82/1 (5 MB 45)



Fig.: Type 24211

Ampere	Poles	230V 50-60 Hz			400V 50-60 Hz			Qty	each
		3P+E 6h	3P+N+E 9h	5pol 9h	3pol 9h	4pol 6h	5pol 6h		
16	5			24208			10	320	
32	5			24210			10	380	

Phase Inverter as Panel Mounting Appliance Inlet

- Screw terminals
- Nickel plated contacts
- Protection degree IP44

Dimension drawing: see page 87/1 (5 MB 92)



Fig.: Type 2602

Ampere	Poles	230V 50-60 Hz			400V 50-60 Hz			Qty	each
		3P+E 6h	3P+N+E 9h	5pol 9h	3pol 9h	4pol 6h	5pol 6h		
16	5			26008			10	185	
32	5			2652			10	250	

Phase Inverter as Panel Mounting Appliance Inlet

- Screw terminals
- With hinged lid
- Nickel plated contacts
- Protection degree IP44

Dimension drawing: see page 87/2 (5 MB 93)



Fig.: Type 26020

Ampere	Poles	230V 50-60 Hz			400V 50-60 Hz			Qty	each
		3P+E 6h	3P+N+E 9h	5pol 9h	3pol 9h	4pol 6h	5pol 6h		
16	5						10	270	
32	5						10	345	

Phase Inverter as Appliance Inlet with Flange

- Screw terminals
- Nickel plated contacts
- Protection degree IP44

(If used, a retaining nose must be provided.)

Dimension drawing: see page 93/2 (5 MB 126)



Fig.: Type 28183

Amperage	Poles	230V 50-60 Hz			400V 50-60 Hz			Qty	9 each
		3pol 6h	4pol 9h	5pol 9h	3pol 9h	4pol 6h	5pol 6h		
16	5						10	205	
32	5						10	275	

Phase Inverter as Appliance Inlet with Flange

- Screw terminals
- Nickel plated contacts
- High-temperature-resistant contact carrier
- Protection degree IP44

(If used, a retaining nose must be provided.)

Dimension drawing: see page 93/1 (5 MB 85)



Fig.: Type 2870

Amperage	Poles	230V 50-60 Hz			400V 50-60 Hz			Qty	9 each
		3pol 6h	4pol 9h	5pol 9h	3pol 9h	4pol 6h	5pol 6h		
16	5						10	140	
32	5						10	195	

Phase Inverter as Panel Mounting Appliance Inlet

- Screw terminals
- High-temperature-resistant contact carrier
- Nickel plated contacts
- Protection degree IP67

Accessories: closure cap, see page 102/3

Dimension drawing: see page 90/1 (5 MB 1)



Fig.: Type 2607

Amperage	Poles	230V 50-60 Hz			400V 50-60 Hz			Qty	9 each
		3pol 6h	4pol 9h	5pol 9h	3pol 9h	4pol 6h	5pol 6h		
16	5						10	205	
32	5						10	285	

Phase Inverter as Appliance Inlet with Flange

- Screw terminals
- Nickel plated contacts
- Protection degree IP67

(If used, a retaining nose must be provided.)

Accessories: closure cap, see page 102/3

Dimension drawing: see page 94/1 (5 MB 124)



Fig.: Type 28184

Amperage	Poles	230V 50-60 Hz			400V 50-60 Hz			Qty	9 each
		3pol 6h	4pol 9h	5pol 9h	3pol 9h	4pol 6h	5pol 6h		
16	5						10	250	
32	5						10	310	

PHASE SEQUENCE INDICATORS, ADAPTERS

- IEC 60309, EN 60309, VDE 0623
- Protection degree IP44

Phase Sequence Indicator

- Nickel plated contacts

Phase sequence indicators for reefer container, see page 210/5



Fig.: Type 2214

Ampere	Poles	230V 50-60 Hz			400V 50-60 Hz			500V 50-60 Hz			Qty	each
		3pol 6h	4pol 9h	5pol 9h	3pol 9h	4pol 6h	5pol 6h	3pol 7h	4pol 7h	5pol 7h		
16	4		2210		2211		2212			10	145	
16	5		2213		2214		2215			10	175	
32	4		2216		2217		2218			10	245	
32	5		2219		2220		2221			10	250	
63	4		2222		2223		2224			2	475	
63	5		2225		2226		2227			2	525	

Phase Sequence Indicator "TRIPOL" 400/ 230V

- Nickel plated contacts
- With integrated Domestic socket (system F - German earthing System)
- Integrated electronics for:
 - rotary field indicator
 - connection of testing devices
 - phase sequence indicator



Fig.: Type 2235

Ampere	Poles	230V 50-60 Hz			400V 50-60 Hz			500V 50-60 Hz			Qty	each
		3pol 6h	4pol 9h	5pol 9h	3pol 9h	4pol 6h	5pol 6h	3pol 7h	4pol 7h	5pol 7h		
16	5									10	240	
32	5									5	310	
63	5									2	610	

Phase Sequence Indicator

- Nickel plated contacts
- Without keyway
- For all operating voltages between 230V and 600V



Fig.: Type 2231

Ampere	Poles	230V 50-60 Hz			400V 50-60 Hz			500V 50-60 Hz			Qty	each
		3pol 6h	4pol 9h	5pol 9h	3pol 9h	4pol 6h	5pol 6h	3pol 7h	4pol 7h	5pol 7h		
16	4									10	145	
16	5									10	175	
32	4									10	245	
32	5									10	250	
63	4									2	475	
63	5									1	525	

Adapter Plug

Further adapter systems on request.



Fig.: Type 8615

Order no.

CEE plug 16A/ 230V/ 3p to Domestic socket 16A/ 230V~ German earthing system type F	8615
CEE plug 16A/ 230V/ 3p to domestic socket 16A/ 230V ~, Belgian/French earthing system type E	8614
CEE plug 16A/ 230V/ 3p to domestic socket 16A/ 230V ~, Swiss earthing system type J	8618

Adapter Plug

Further adapter systems on request.



Fig.: Type 860

Order no.

CEE plug 16A/ 400V/ 5p to Domestic socket 16A/ 230V~ German earthing system type F	860
--	-----

CONNECTORS

- IEC 60309-1/2, EN 60309, VDE 0623
- Protection degree IP44

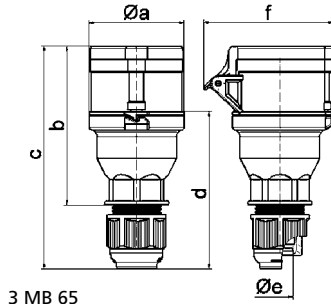
Connector Quick-Connect with Multi-Grip

- Screwless terminals
- Screwless enclosure connection, self locking
- Kontex contact
- Special gland, simultaneous cable gland and seal
- Protection degree IP44

Ampere	Poles	110V 50-60 Hz			230V 50-60 Hz			400V 50-60 Hz			500V 50-60 Hz			100-300Hz >50V			301-500Hz >50V			Qty	each
		3pol	4pol	5pol	3pol	4pol	5pol	3pol	4pol	5pol	3pol	4pol	5pol	3pol	4pol	5pol					
16	3	3125			3126														10	120	
16	4				3129		3130												10	160	
16	5				3135		3136												10	165	
32	3	3137			3138														10	240	
32	4				3141		3142												10	260	
32	5				3147		3148												10	300	



Fig.: Type 3148



3 MB 65

Ampere	16	16	16	32	32	32
Poles	3	4	5	3	4	5
a ø	53.0	60.0	66.0	74.5	74.5	74.5
b	100.5	112.5	113.5	133.5	133.5	134.5
c	141.0	153.0	154.0	186.0	186.0	187.0
d	97.5	104.5	105.5	127.5	127.5	128.5
e ø	18.0	18.0	18.0	23.0	23.0	23.0
f	76.0	79.0	86.0	92.0	92.0	97.0
Cond. mm² min	1	1	1	2.5	2.5	2.5
Cond. mm² max	2.5	2.5	2.5	6	6	6

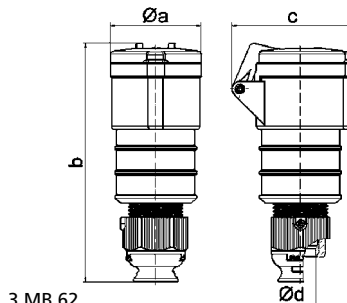
Connector TE-Plus with Multi-Grip

- Screwless terminals
- High-temperature-resistant contact carrier
- Kontex contact
- Nickel plated contacts
- Special gland, simultaneous cable gland and seal
- Protection degree IP44

Ampere	Poles	110V 50-60 Hz			230V 50-60 Hz			400V 50-60 Hz			500V 50-60 Hz			100-300Hz >50V			301-500Hz >50V			Qty	each
		3pol	4pol	5pol	3pol	4pol	5pol	3pol	4pol	5pol	3pol	4pol	5pol	3pol	4pol	5pol					
16	3	31659			31533		31665		31955		31956		31957						10	145	
16	4				31681		31661		31534		31669		31671						10	170	
16	5				31962		31662		31536		31965		31966						10	200	
32	3	31967			31968		31666		31970		31971		31972						10	265	
32	4				31973		31974		31975		31670		31672						10	285	
32	5				31979		31664		31981		31983		31984						10	340	



Fig.: Type 31981



3 MB 62

Ampere	16	16	16	32	32	32
Poles	3	4	5	3	4	5
a ø	51.0	58.0	65.0	66.5	66.5	72.0
b	156.0	162.0	168.0	195.0	195.0	198.0
c	72.0	78.0	86.0	89.0	89.0	99.0
d ø	18.0	18.0	21.0	23.0	23.0	27.0
Cond. mm² min	1	1	1	2.5	2.5	2.5
Cond. mm² max	2.5	2.5	2.5	6	6	6

Connector TE with Multi-Grip

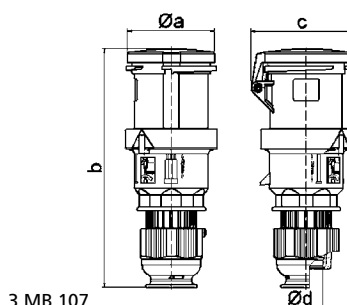
- High-temperature-resistant contact carrier
- Kontex contact
- Nickel plated contacts
- Special gland, simultaneous cable gland and seal
- Protection degree IP44

Ampere	Poles	110V 50-60 Hz			230V 50-60 Hz			400V 50-60 Hz			500V 50-60 Hz			100-300Hz >50V			301-500Hz >50V			Qty	each
		3pol	4pol	5pol	3pol	4pol	5pol	3pol	4pol	5pol	3pol	4pol	5pol	3pol	4pol	5pol					
		QUICK-CONNECT																			
63	4								310490		310492								5	740	
63	5								310494										5	785	
Screw terminal:																					
63	3	3108			3104		3109		31723		31606		31858						5	590	
63	4				3149		3150		3151		3152		31085		31642				5	630	
63	5				3153		3154		3112		31086		31500		31257				5	670	

In the case of screw terminal connectors with PILOT, please add -P to the end of the order number.



Fig.: Type 3112



3 MB 107

Ampere	63	63	63
Poles	3	4	5
a ø	95.0	95.0	95.0
b	251.0	251.0	251.0
c	109.0	109.0	109.0
d ø	36.0	36.0	36.0
Cond. mm² min	6	6	6
Cond. mm² max	16	16	16

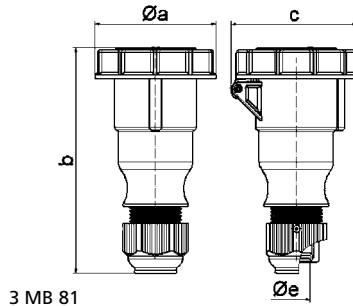
Connector with Multi-Grip

- Screw terminals
- Nickel plated contacts
- One-piece enclosure
- Kontex contact
- Special gland, simultaneous cable gland and seal
- Protection degree IP67

Ampere	Poles	110V 50-60 Hz			230V 50-60 Hz			400V 50-60 Hz			500V 50-60 Hz			100-300Hz > 50V			301-500Hz > 50V			Qty	g
		3pol	4pol	5pol	3pol	4pol	5pol	3pol	4pol	5pol	3pol	4pol	5pol	3pol	4pol	5pol	3pol	4pol	5pol		
16	3			310331			310333			310334									10	175	
16	4			310338			310339			310340									10	200	
16	5			310344			310345			310346									10	220	
32	3			310350			310351			310352									10	305	
32	4			310356			310357			310358									10	315	
32	5			310362			310363			310364									10	360	



Fig.: Type 310346



3 MB 81

Ampere	16	16	16	32	32	32
Poles	3	4	5	3	4	5
a ø	70.5	78.0	86.5	94.0	94.0	101.5
b	154.0	155.0	160.0	190.0	190.0	190.0
c	77.0	83.0	93.0	99.0	99.0	107.0
e ø	18.0	18.0	18.0	23.0	23.0	23.0
Cond. mm² min	1	1	1	2.5	2.5	2.5
Cond. mm² max	2.5	2.5	2.5	6	6	6

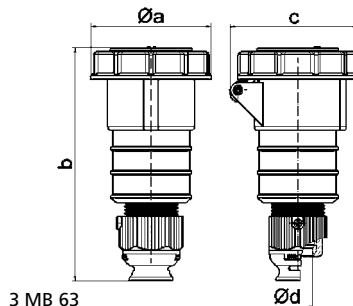
Connector TE-Plus with Multi-Grip

- Screwless terminals
- High-temperature-resistant contact carrier
- Kontex contact
- Nickel plated contacts
- Special gland, simultaneous cable gland and seal
- Protection degree IP67

Ampere	Poles	110V 50-60 Hz			230V 50-60 Hz			400V 50-60 Hz			500V 50-60 Hz			100-300Hz > 50V			301-500Hz > 50V			Qty	g
		3pol	4pol	5pol	3pol	4pol	5pol	3pol	4pol	5pol	3pol	4pol	5pol	3pol	4pol	5pol					
16	3			31298			31240			31299			31457			310554			310417	10	175
16	4			31301			31302			31241			31242			31303			31304	10	205
16	5			31305			31306			31243			31501						31409	10	245
32	3			31307			31244			31308										10	335
32	4			31309			31310			31245			31246			31311			31312	10	350
32	5			31313			31314			31247			31207						310415	10	410



Fig.: Type 31243



3 MB 63

Ampere	16	16	16	32	32	32
Poles	3	4	5	3	4	5
a ø	70.5	78.0	86.5	94.0	94.0	101.5
b	161.0	161.0	168.0	196.0	196.0	200.0
c	77.0	83.0	93.0	99.0	99.0	107.0
d ø	18.0	18.0	21.0	23.0	23.0	27.0
Cond. mm² min	1	1	1	2.5	2.5	2.5
Cond. mm² max	2.5	2.5	2.5	6	6	6

Connector TE-Plus with Multi-Grip

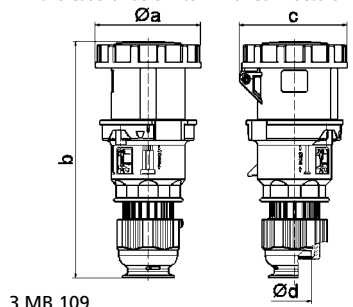
- High-temperature-resistant contact carrier
- Kontex contact
- Nickel plated contacts
- Special gland, simultaneous cable gland and seal
- Protection degree IP67

Ampere	Poles	110V 50-60 Hz			230V 50-60 Hz			400V 50-60 Hz			500V 50-60 Hz			100-300Hz > 50V			301-500Hz > 50V			Qty	g
		3pol	4pol	5pol	3pol	4pol	5pol	3pol	4pol	5pol	3pol	4pol	5pol	3pol	4pol	5pol					
		QUICK CONNECT®																			
63	4																			5	800
63	5																			5	855
Screw terminal:																					
63	3			3180			3181			3182			31724			31605				5	665
63	4			3183			3184			3185			3186			31504			31251	5	720
63	5			3187			3188			3124			31082			31505			31183	5	720

In the case of screw terminal connectors with PILOT, please add -P to the end of the order number.



Fig.: Type 310495



3 MB 109

Ampere	63	63	63
Poles	3	4	5
a ø	110.0	110.0	110.0
b	251.0	251.0	251.0
c	113.0	113.0	113.0
d ø	36.0	36.0	36.0
Cond. mm² min	6	6	6
Cond. mm² max	16	16	16

CONNECTORS

- IEC 60309-1/2, EN 60309, VDE 0623
- Protection degree IP44/ IP67

Connector TE with Multi-Grip

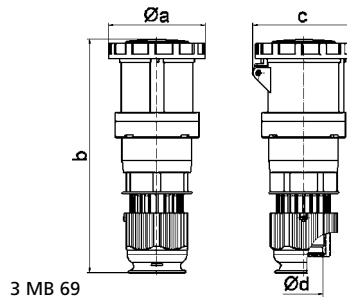
- Screw terminals
- Box terminals
- High-temperature-resistant contact carrier
- Kontex contact
- Nickel plated contacts
- Special gland, simultaneous cable gland and seal
- ζ , self locking
- Protection degree IP67

Ampere	Poles	110V 50-60 Hz			230V 50-60 Hz			400V 50-60 Hz			500V 50-60 Hz			100-300Hz > 50V			301-500Hz > 50V			Qty	each
		2P+E	3P+E	3P+N+E	3pol	4pol	5pol	3pol	4pol	5pol	3pol	4pol	5pol	3pol	4pol	5pol	3pol	4pol	5pol		
125	3																		5	1130	
125	4																		5	1230	
125	5																		5	855	

In the case of connectors with PILOT, please add -P to the end of the order number.



Fig.: Type 3199



3 MB 69

Ampere	125	125	125			
Poles	3	4	5			
a ø	125.0	125.0	125.0			
b	300.0	300.0	300.0			
c	128.0	128.0	128.0			
d ø	50.0	50.0	50.0			
Cond. mm² min	16	16	16			
Cond. mm² max	50	50	50			

Connector Quick-Connect lockable

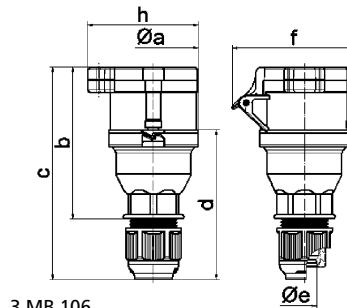
- Screwless terminals
- Lockable with matching connector
- Screwless enclosure connection, self locking
- Special gland, simultaneous cable gland and seal
- Protection degree IP44

Accessories: Lock set, see page 102/5

Ampere	Poles	110V 50-60 Hz			230V 50-60 Hz			400V 50-60 Hz			500V 50-60 Hz			100-300Hz > 50V			301-500Hz > 50V			Qty	each
		2P+E	3P+E	3P+N+E	3pol	4pol	5pol	3pol	4pol	5pol	3pol	4pol	5pol	3pol	4pol	5pol					
16	5																		10		
32	5																		10		



Fig.: Type 310635



3 MB 106

Ampere	16	32				
Poles	5	5				
a ø	66.0	74.5				
b	113.5	134.5				
c	154.0	187.0				
d	105.5	128.5				
e ø	18.0	23.0				
f	86.0	97.0				
h	82.0	100.0				
Cond. mm² min	1	2.5				
Cond. mm² max	2.5	6				

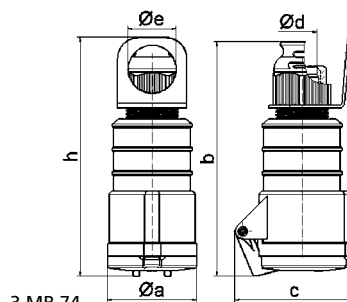
Hanging Connector TE-Plus with Multi-Grip

- Screwless terminals
- High-temperature-resistant contact carrier
- Kontex contact
- Nickel plated contacts
- Special gland, simultaneous cable gland and seal
- Protection degree IP44

Ampere	Poles	110V 50-60 Hz			230V 50-60 Hz			400V 50-60 Hz			500V 50-60 Hz			100-300Hz > 50V			301-500Hz > 50V			Qty	each
		2P+E	3P+E	3P+N+E	3pol	4pol	5pol	3pol	4pol	5pol	3pol	4pol	5pol	3pol	4pol	5pol					
16	3																		10	190	
16	4																		10	220	
16	5																		10	260	
32	3																		10		
32	4																		10		
32	5																		10	425	



Fig.: Type 3214



3 MB 74

Ampere	16	16	16	32	32	32
Poles	3	4	5	3	4	5
a ø	51.0	58.0	65.0	66.5	66.5	72.0
b	156.0	162.0	168.0	195.0	195.0	198.0
c	72.0	78.0	86.0	89.0	89.0	99.0
d ø	18.0	18.0	21.0	23.0	23.0	27.0
e ø	39.5	39.5	35.5	48.5	48.5	44.5
h	167.5	173.5	171.5	208.0	208.0	205.0
Cond. mm² min	1	1	1	2.5	2.5	2.5
Cond. mm² max	2.5	2.5	2.5	6	6	6

Hanging Clip

- For plugs and connectors with Multi-Grip cable gland



Fig.: Type 58401

	Order no.
for 16A	58400
for 32A	58401
for 63A and 125A	58402

Cable Gland Multi-Grip with Additional Strain Relief

- For plugs and connectors with Multi-Grip cable gland



Fig.: Type 29132

	Order no.
for 16A/ 3p, 4p TE + TE-Plus, 16A/ 3p, 4p, 5p QC + TLS	29148
for 16A/ 5p TE + TE-Plus	29149
for 32A/ 5p TE + TE-Plus	29150
for 63A/ 3p, 4p, 5p TE + TE-Plus	29132
for 125A/ 3p, 4p, 5p TE	29133

Closure Cap

- For CEE plugs
- Protection degree IP67



Fig.: Type 832

	Order no.
16A/ 3p	830
16A/ 4p	835
16A/ 5p, 7p	831
32A/ 3p, 4p	837
32A/ 5p, 7p	832
63A/ 3p, 4p, 5p	833
125A/ 3p, 4p, 5p	834

Reducer

- Suitable for cables less than Ø8mm
- For all 16A standard plugs and sockets with Multi-Grip as well as extra-low voltage



Fig.: Type 29129

	Order no.
	29129

Lock Set

- For plugs/connectors of type 310634, 310635, 210950 and 210951
- With long shackle and 2 keys



Fig.: Type 580642

	Order no.
	580642





Domestic Panel Mounting Socket Outlets

German Earthing System Type F



Page 108

Belgian/ French Earthing System
Type E



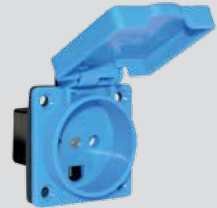
Page 109

British Earthing System Type G



Page 110

Danish Earthing System Type K



Pages 110

Swiss Earthing System Type J



Page 111

Domestic Surface Mounting Socket Outlets

IP44



Page 112

IP67



Page 112

Switched, Interlocked



Page 112

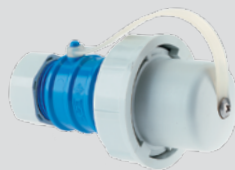
Domestic Plugs and Inlets

Plugs
IP44



Page 112

Plugs
IP67



Page 112

Appliance inlets with Flange

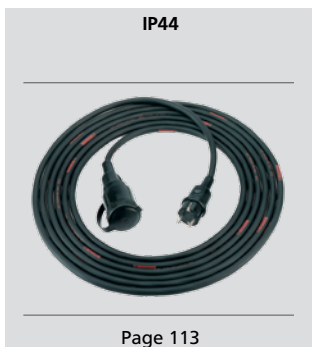


Page 113

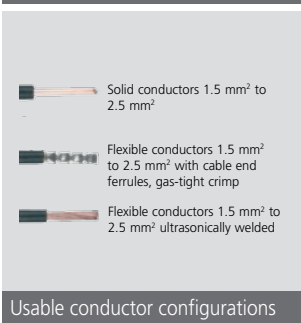
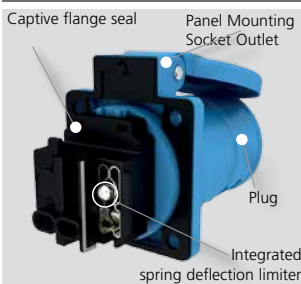
Domestic Connectors



Domestic Extension Leads

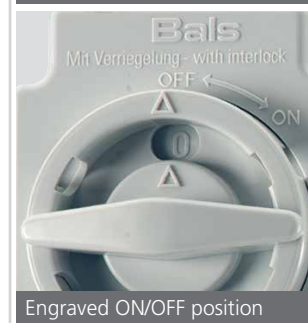


Technical features



Domestic Panel Mounting Socket Outlets with Quick-Connect

- Screwless connection technology
- Robust terminal and enclosure design
- Special contact technology largely prevents contact deformation that can lead to a rise in temperature
- Captive flange seal
- Available as IP44 or IP54
- Flange dimensions in 50 x 50 mm and 75 x 75 mm
- Versions available for German, Swiss, or Belgian/French system
- Also with child-proof safety feature on request
- Special colours on request
- VDE tested
- Touch-safe in accordance with BGV A3
- Nickel plated contacts



Domestic Surface Mounting Socket Outlet, switched, interlocked

- Switched and electrically interlocked
- Load-free connection and disconnection is guaranteed
- Surface Mounting Socket Outlet can be operated safely both with an IP44 Domestic plug and an IP67 Domestic plug
- Safe
- Simple operation
- Clear state detection owing to engraved ON/OFF position
- Lockable 3x in 0-position

DOMESTIC PANEL MOUNTING SOCKET OUTLETS

- 16A/ 250V ~
- VDE 0620
- Protection degree IP44, IP54, IP67

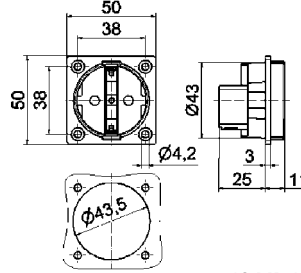
German Earthing System Type F

Domestic Panel Mounting Socket Outlet

- Screw terminals
- Without hinged lid
- Connection at rear
- Nickel plated contacts
- Protection degree IP20
- German earthing system type F



Fig.: Type 713



18 MB 1

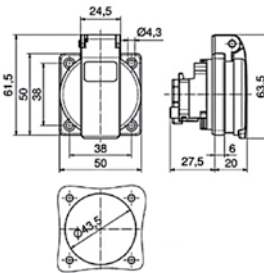
Colour	Order no.	Qty
blue	713	20
grey	712	20
black	714	20

Domestic Panel Mounting Socket Outlet

- Hinged lid and injected flange gasket
- Flange 50 x 50 mm
- Mounting dimension 38 x 38 mm
- Connection terminal in accordance with BGV A2
- Nickel plated contacts
- Protection degree IP54
- German earthing system type F



Fig.: Type 71099



18 MB 102

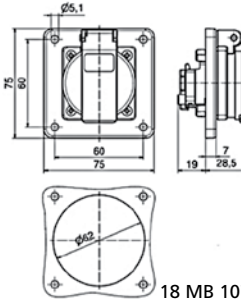
Version	Colour	Order no.	Qty
Quick-Connect	blue	71099	20
Quick-Connect	grey	71100	20
Quick-Connect	black	71101	20
Screw terminal	blue	71094	20
Screw terminal	grey	71095	20
Screw terminal	black	71097	20

Domestic Panel Mounting Socket Outlet

- Flange 75 x 75 mm
- Mounting dimension 60 x 60 mm
- Nickel plated contacts
- Protection degree IP54
- German earthing system type F



Fig.: Type 71108



18 MB 107

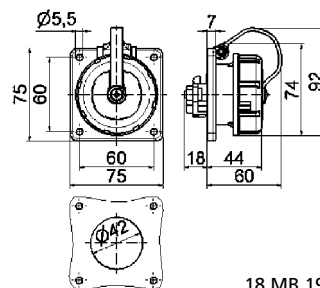
Version	Colour	Order no.	Qty
Quick-Connect	blue	71108	20
Quick-Connect	grey	71109	20
Quick-Connect	black	71110	20
Screw terminal	blue	71105	20
Screw terminal	grey	71106	20
Screw terminal	black	71107	20

Domestic Panel Mounting Socket Outlet

- Screw terminals
- Flange 75 x 75 mm
- Mounting dimension 60 x 60 mm
- Nickel plated contacts
- Protection degree IP67
- German earthing system type F



Fig.: Type 7112



18 MB 19

Colour	Order no.	Qty
blue	7112	10
grey	7119	10

Domestic Panel Mounting Socket Outlet with Auxiliary Contact

- Screw terminals
- Flange 50 x 50 mm
- Mounting dimension 38 x 38 mm
- For measuring, regulating, controlling, acknowledging
- With hinged lid
- Nickel plated contacts
- Protection degree IP44
- German earthing system type F

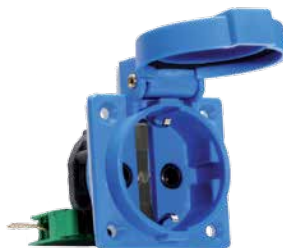
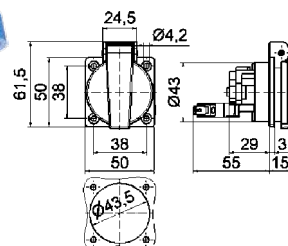


Fig.: Type 7168



18 MB 36

Version	Colour	Order no.	Qty
NO contact	blue	7154	20
NC contact	grey	7168	20

DOMESTIC PANEL MOUNTING SOCKET OUTLETS

- 16A/ 250V ~
- VDE 0620
- Protection degree IP54

British Earthing System Type G

Domestic Panel Mounting Socket Outlet


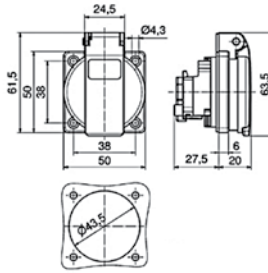

- Screw terminal
- Flange 50 x 50 mm
- Mounting dimension 38 x 38 mm
- Nickel plated contacts
- Protection degree IP44 
- British earthing system type G



Fig.: Type 71142



18 MB 102

Colour	Order no.	Qty 
blue	71142	10

Danish Earthing System Type K

Domestic Panel Mounting Socket Outlet


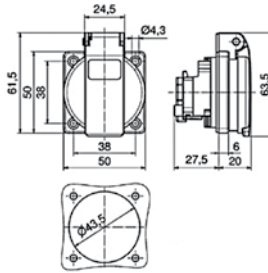

- Screw terminal
- Flange 50 x 50 mm
- Mounting dimension 38 x 38 mm
- Nickel plated contacts
- Protection degree IP54 
- Danish earthing system type K



Fig.: Type 71071



18 MB 102


Colour	Order no.	Qty 
blue	71071	10

DOMESTIC PANEL MOUNTING SOCKET OUTLETS

- 16A/ 250V ~
- VDE 0620
- Protection degree IP54

Swiss Earthing System Type J

Domestic Panel Mounting Socket Outlet Typ 13

- 10A, 230V, 3p
- Screw terminal
- Flange 50 x 50 mm
- Nickel plated contacts
- Protection degree IP54 
- Swiss earthing system type J

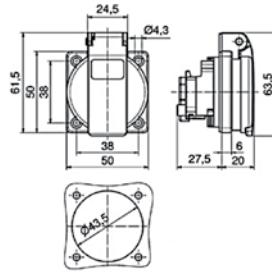



Fig.: Type 770

18 MB 102

Colour	Order no.	Qty
blue	770	10

Domestic Panel Mounting Socket Outlet Typ 23 with Swiss System J

- 16A, 230V, 3p
- Screw terminal
- Flange 50 x 50 mm
- Nickel plated contacts
- Protection degree IP54 
- Swiss earthing system type J

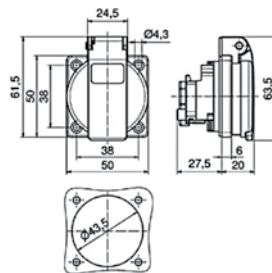



Fig.: Type 776

18 MB 102

Colour	Order no.	Qty
blue	776	10

Domestic Panel Mounting Socket Outlet Typ 13 with Swiss System J

- 10A, 230V, 3p
- Screw terminal
- Flange 75 x 75 mm
- Nickel plated contacts
- Protection degree IP54 
- Swiss earthing system type J

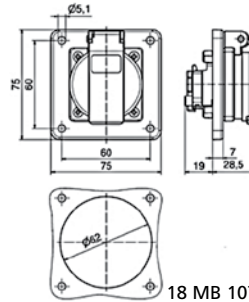



Fig.: Type 772

18 MB 107

Colour	Order no.	Qty
blue	772	10

Domestic Panel Mounting Socket Outlet Typ 23 with Swiss System J

- 16A, 230V, 3p
- Screw terminal
- Flange 75 x 75 mm
- Nickel plated contacts
- Protection degree IP54 
- Swiss earthing system type J

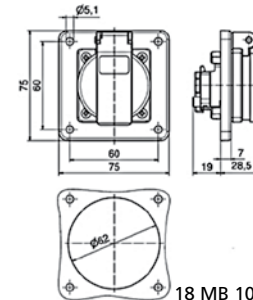


Fig.: Type 779

18 MB 107

Colour	Order no.	Qty
blue	779	10

DOMESTIC PLUGS AND SOCKETS

- 16A/ 250V ~
- VDE 0620
- Protection degree IP44, IP54, IP67

Domestic Appliance Inlet with Flange

- With closure cap
- Nickel plated contacts
- Also suitable for Belgian/French system
- Protection degree IP67

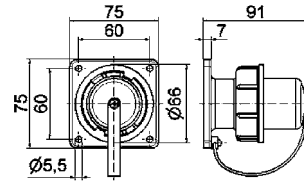


Fig.: Type 754

18 MB 16

Earthing Type	Colour	Order no.	Qty
Country/ System			
Germany/ F	blue	754	10
Germany/ F	grey	755	10

Domestic Connector

- With Multi-Grip cable gland
- Spacious connection area
- Protection degree IP54

In the case of Domestic Connectors with child-protection add **09** to the end of the order number.

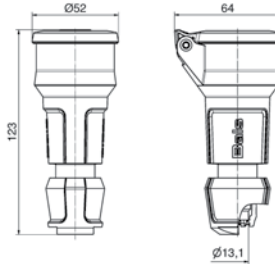


Fig.: Type 7486

18 MB 120

Earthing Type	Colour	Order no.	Qty
Country/ System			
Germany/ F	blue	7486	10
Germany/ F	grey	7487	10
Germany/ F	black	7488	10
Belg./France/ E	blue	7490	10

Domestic Connector

- With cable gland
- Nickel plated contacts
- Protection degree IP67

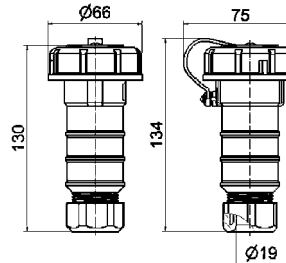


Fig.: Type 746

18 MB 26

Earthing Type	Colour	Order no.	Qty
Country/ System			
Germany/ F	blue	746	10
Germany/ F	grey	747	10
Belg./France/ E	blue	7416	10
Belg./France/ E	grey	7455	10

Domestic Three-Way Connector

- With cable gland
- Nickel plated contacts
- With cover and hanging bracket
- Protection degree IP67

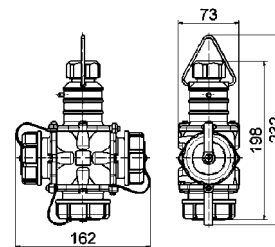


Fig.: Type 749

18 MB 27

Earthing Type	Colour	Order no.	Qty
Country/ System			
Germany/ F	blue	749	1
Belg./France/ E	blue	7432	1

Extension Lead

With Domestic plug and connector

- Protection degree IP44



Fig.: Type 8156

	Length	Order no.	Qty
H07RN-F3G1,5	10 m	8189	1
H07RN-F3G2,5	10 m	8156	1
H07RN-F3G1,5	15 m	8190	1
H07RN-F3G2,5	15 m	8158	1
H07RN-F3G1,5	20 m	8191	1
H07RN-F3G2,5	20 m	8192	1

Extension Lead

With watertight Domestic plug and connector

- Protection degree IP67



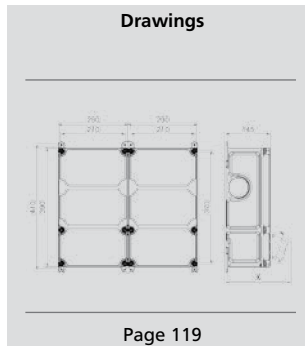
Fig.: Type 8199

	Length	Order no.	Qty
H07RN-F3G1,5	10 m	8198	1
H07RN-F3G2,5	10 m	8199	1
H07RN-F3G1,5	15 m	81000	1
H07RN-F3G2,5	15 m	81001	1
H07RN-F3G1,5	20 m	81002	1
H07RN-F3G2,5	20 m	81003	1





Technical Information



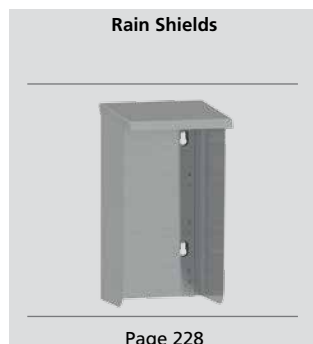
Plastic Enclosures

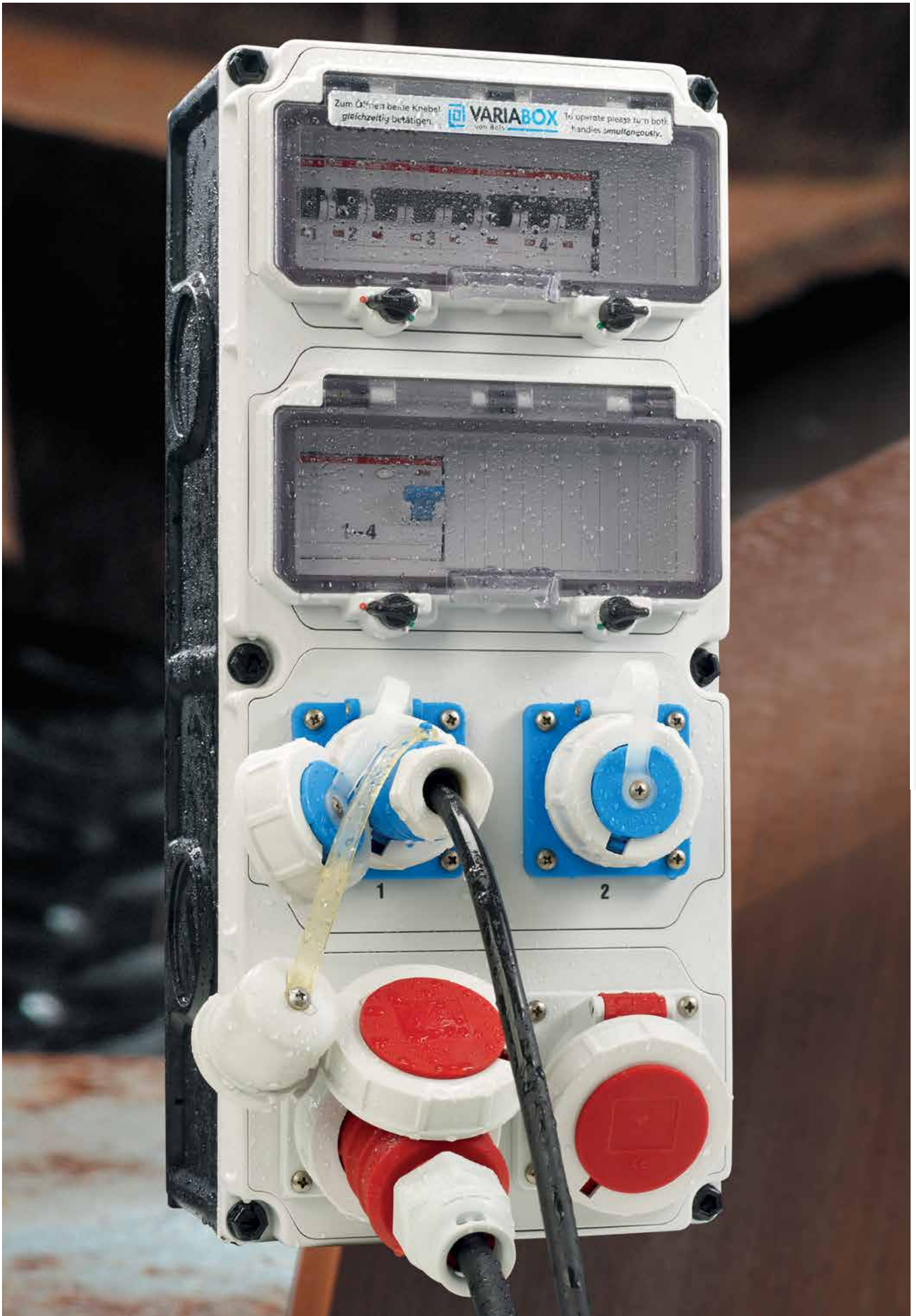


Solid-Rubber Enclosure



Floor-Standing Distributors and Rain Shields for VARIABOX and MODBOX Systems





Technical data VARIABOX

Sizes

Version	Dimensions (H x W x D)
VARIABOX-S	130 x 230 x 145 mm
VARIABOX-M	260 x 230 x 145 mm
VARIABOX-L	390 x 230 x 145 mm
VARIABOX-XL	520 x 230 x 145 mm
VARIABOX-XXL	650 x 230 x 145 mm
VARIABOX-L DUO	390 x 460 x 145 mm
VARIABOX-XL DUO	520 x 460 x 145 mm
	Further modular extension possible

Colours

Top grey (standard) RAL 7035
 Top - yellow, available as of 5 units
 Top - blue, available as of 5 units
 Top - red, available as of 5 units
 Top - silver, available as of 5 units
 Bottom black RAL 9005

Design

Top cover straight,
 CEE sockets angled

Material

PBT polyester

Material properties

Self-extinguishing, heat-resistant, extremely cold-resistant, resistant to ageing, saltwater-resistant, good electric insulation properties, fracture-proof, wear-, resistant, abrasion-resistant, dimensionally stable

Durable

High chemical resistance,
 UV-stabilised, suitable for
 use in hostile environments

Impact strength

IK09

Thermal resistance

DIN EN 61439/ VDE 0660-600

Resistant to ageing

Long-term testing at +80 degrees

Glow wire test

In accordance with DIN EN60695

Protection

Top can be lead-sealed to bottom,
 OTC window can be lead-sealed

Wall mounting

Either internal or
 external fastening

Top cover attachment

Hinged on right,
 Can be hinged on left on request

Top cover screws

Captive, with internal and external
 hexagon, including slot,
 torque 2 Nm

Cable entry

Face plates pre-punched at top
 and bottom
 each with M12, M20, M25/M32/M40

Attachments

User-friendly OTC mechanism
 (One Touch Close),
 CEE sockets 16A to 63A with
 maintenance-free QUICK-CONNECT
 technology, data sockets,
 interoperability of mounted sockets,
 optionally available with handle

Protection type

IP44, IP54, IP67

Environment

PVC-free, cadmium-free, halogen-free
 and silicone-free



- Proper and clearly arranged wiring and an automated safety test guarantee maximum safety

- With their generous cable bushings, modularly connected VARIABOX systems can be internally connected to one another even when using large cable cross sections



- The new operating window with the unique OTC mechanism (One Touch Close) engages in the open state and automatically closes and locks again when touched lightly
- The enclosure sections and the OTC operating windows can all be lead-sealed
- Either internal or external fastening



- All mounted sockets with maintenance-free QUICK-CONNECT technology
- sockets with flange dimensions 50 x 50 mm, 75 x 75 mm and 85 x 85 mm not manufacturer specific



- The metric cable entries at the top and bottom are pre-punched and can be broken out as required without problem. An overview of the enclosure sizes and cable entries can be found on page 4.

30MB208

Standard cable entries pre-punched

Top: 1xM12, 1xM20, 2xM25 or 2xM32
Bottom: 1xM12, 1xM20, 2xM25 or 2xM32

VARIABOX -S
by Bals

30MB207

Standard cable entries pre-punched

Top: 1xM12, 1xM20, 2xM32 or 2xM40
Bottom: 1xM12, 1xM20, 2xM32 or 2xM40

VARIABOX -M
by Bals

30MB206

Standard cable entries pre-punched

Top: 1xM12, 1xM20, 2xM40
Bottom: 1xM12, 1xM20, 2xM40

VARIABOX -L
by Bals

30MB205

Standard cable entries pre-punched

Top: 1xM12, 1xM20, 2xM40
Bottom: 1xM12, 1xM20, 2xM40

VARIABOX -XL
by Bals

30MB204

Standard cable entries pre-punched

Top: 1xM12, 1xM20, 2xM40
Bottom: 1xM12, 1xM20, 2xM40

VARIABOX -XXL
by Bals

30MB214

Standard cable entries pre-punched

Top: 1xM12, 1xM20, 2xM40
Bottom: 1xM12, 1xM20, 2xM40

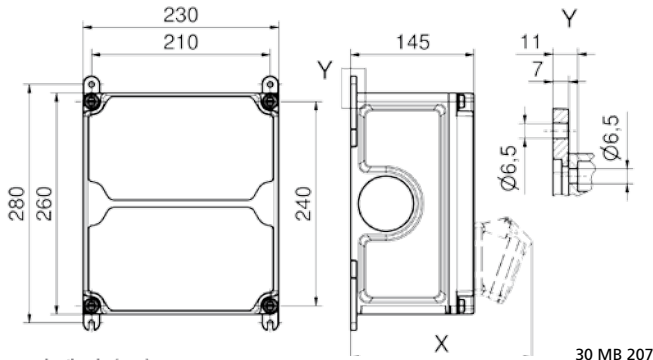
VARIABOX -L DUO
by Bals

Table X-dimension

Components	Oper. window	Domestic socket		CEE 16A 3-pole		CEE 16A 4-pole		CEE 16A 5-pole		CEE 32A, 3/4-pole		CEE 32A 5-pole		CEE 63A	
Protection class		IP44	IP67	IP44	IP67	IP44	IP67	IP44	IP67	IP44	IP67	IP44	IP67	IP44	IP67
Depth X	180	162	205	200	200	204	202	207	205	211	213	213	214	229	231

Technical changes possible.

- Ready wired for installation
- Protection degree IP44
- All distributors on this page with domestic sockets, German earthing



depth x in (mm)		30 MB 207	
with	IP44	with	IP44
OTC operating window	180	CEE 16A 5p	207
schuko-type	162	CEE 32A 3p/4p	211
CEE 16A 3p	200	CEE 32A 5p	213
CEE 16A 4p	204	CEE 63A 3p/4p/5p	229

- Dimension of enclosure: 260 x 230 mm
- Housing made of high-grade, impact-resistant plastic
- Hinged enclosure cover
- Top and bottom can be sealed together
- With external and internal fastening
- User-friendly OTC operating window
- Permanently attached cover screws
- Coded flange plate system for maximum safety during initial installation and maintenance
- Top section straight, CEE sockets angled
- All CEE sockets with screwless, maintenance-free QUICK-CONNECT technology
- Colours: bottom - black, top - electro-grey (enclosure top optionally available in the colours yellow, red, blue or silver)
- Accessories: see page 136

VARIABOX -M



Order no. **89016**
Components:
 3 domestic sockets 16A, 230V ~
 (system F - German earthing System)

Fuse:
 3 C-type MCBs 16A, 1p
 1 RCCB 40/0.03A, 4p

Cable entry at top and bottom:
 each with 1x M12, 1x M20, 2x M32

Connection option:
 for 2 cables up to 5 x 25 mm²

VARIABOX -M



Order no. **89040**
Components:
 3 domestic sockets 16A, 230V ~
 (system F - German earthing System)
 1 double data socket RJ45 CAT 6 IP55

Fuse:
 3 C-type MCBs 16A, 1p
 1 RCCB 40/0.03A, 4p

Cable entry at top and bottom:
 each with 2x M20, 2x M32

Connection option:
 for 2 cables up to 5 x 25 mm²

VARIABOX -M



Order no. **89040**
Components:
 4 domestic sockets 16A, 230V ~
 (system F - German earthing System)

Fuse:
 4 C-type MCBs 16A, 1p
 1 RCCB 40/0.03A, 4p

Cable entry at top and bottom:
 each with 1x M12, 1x M20, 2x M32

Connection option:
 for 2 cables up to 5 x 25 mm²

VARIABOX -M



Order no. **89037**
Components:
 8 domestic sockets 16A, 230V ~
 (system F - German earthing System)

Cable entry at top and bottom:
 each with 1x M12, 1x M20, 2x M25

Connection option:
 for 1 cable 5 x 6 mm²

VARIABOX -M



Order no. **89044**
Components:
 2 domestic sockets 16A, 230V ~
 (system F - German earthing System)
 1 CEE socket 16A, 400V, 5p

Fuse:
 2 Neozed D01, 1p
 1 Neozed D01, 3p

Cable entry at top and bottom:
 each with 1x M12, 1x M20, 2x M40

Connection option:
 for 2 cables up to 5 x 25 mm²

VARIABOX -M



Order no. **89010**
Components:
 2 domestic sockets 16A, 230V ~
 (system F - German earthing System)
 1 CEE socket 16A, 400V, 5p

Fuse:
 2 C-type MCBs 16A, 1p
 1 C-type MCB 16A, 3p
 1 RCCB 40/0.03A, 4p

Cable entry at top and bottom:
 each with 1x M12, 1x M20, 2x M40

Connection option:
 for 2 cables up to 5 x 25 mm²

- Ready wired for installation
- Protection degree IP44
- All distributors on this page with domestic sockets, German earthing

VARIABOX -M



Order no. **89015**
Components:
 2 domestic sockets 16A, 230V ~
 (system F - German earthing System)
 1 CEE socket 32A, 400V, 5p
Fuse:
 2 Neozed D01, 1p
 1 Neozed D02, 3p
Cable entry at top and bottom:
 each with 1x M12, 1x M20, 2x M40
Connection option:
 for 2 cables up to 5 x 25 mm²

VARIABOX -M



Order no. **89013**
Components:
 2 domestic sockets 16A, 230V ~
 (system F - German earthing System)
 1 CEE socket 32A, 400V, 5p
Fuse:
 2 C-type MCBs 16A, 1p
 1 C-type MCB 32A, 3p
 1 RCCB 40/0.03A, 4p
Cable entry at top and bottom:
 each with 1x M12, 1x M20, 2x M40
Connection option:
 for 2 cables up to 5 x 25 mm²

VARIABOX -M



Order no. **89017**
Components:
 2 CEE sockets 16A, 400V, 5p
Fuse:
 2 C-type MCBs 16A, 3p
 1 RCCB 40/0.03A, 4p
Cable entry at top and bottom:
 each with 1x M12, 1x M20, 2x M40
Connection option:
 for 2 cables up to 5 x 25 mm²

VARIABOX -M



Order no. **89028**
Components:
 2 domestic sockets 16A, 230V ~
 (system F - German earthing System)
 2 CEE sockets 16A, 400V, 5p
Cable entry at top and bottom:
 each with 1x M12, 1x M20, 2x M25
Connection option:
 for 1 cable 3 x 4 mm² and
 1 cable 5 x 4 mm²

VARIABOX -M



Order no. **89038**
Components:
 5 domestic sockets 16A, 230V ~
 (system F - German earthing System)
 1 CEE socket 16A, 400V, 5p
Cable entry at top and bottom:
 each with 1x M12, 1x M20, 2x M25
Connection option:
 for 1 cable up to 5 x 6 mm²

VARIABOX -M



Order no. **89022**
Components:
 1 CEE socket 16A, 400V, 5p
 1 CEE socket 32A, 400V, 5p
Fuse:
 1 Neozed D01, 3p
 1 Neozed D02, 3p
Cable entry at top and bottom:
 each with 1x M12, 1x M20, 2x M40
Connection option:
 for 2 cables up to 5 x 25 mm²

VARIABOX -M



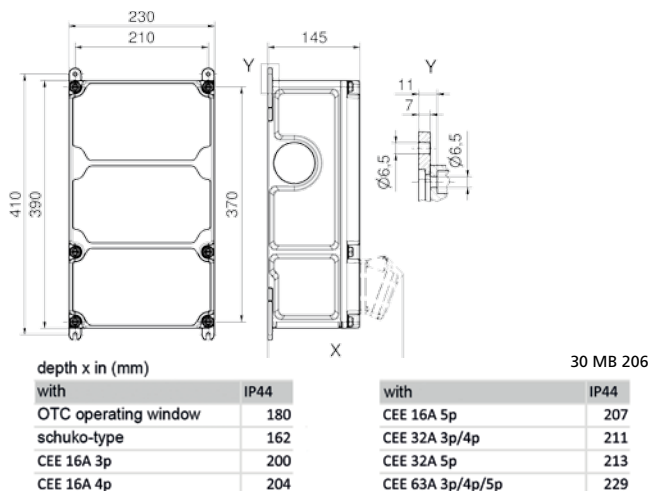
Order no. **89048**
Components:
 1 CEE socket 16A, 400V, 5p
 1 CEE socket 32A, 400V, 5p
Fuse:
 1 C-type MCB 16A, 3p
 1 C-type MCB 32A, 3p
 1 RCCB 40/0.03A, 4p
Cable entry at top and bottom:
 each with 1x M12, 1x M20, 2x M40
Connection option:
 for 2 cables up to 5 x 25 mm²

VARIABOX -M



Order no. **890011**
Components:
 2 CEE sockets 32A, 400V, 5p
Fuse:
 2 C-type MCBs 32A, 3p
 1 RCCB 63/0.03A, 4p
Cable entry at top and bottom:
 each with 1x M12, 1x M20, 2x M40
Connection option:
 for 2 cables up to 5 x 25 mm²

- Ready wired for installation
- Protection degree IP44
- All distributors on this page with domestic sockets, German earthing



- Dimension of enclosure: 390 x 230 mm
- Housing made of high-grade, impact-resistant plastic
- Hinged enclosure cover
- Top and bottom can be sealed together
- With external and internal fastening
- User-friendly OTC operating window
- Permanently attached cover screws
- Coded flange plate system for maximum safety during initial installation and maintenance
- Top section straight, CEE sockets angled
- All CEE sockets with screwless, maintenance-free QUICK-CONNECT technology
- Colours: bottom - black , top - electro-grey (enclosure top optionally available in the colours yellow, red, blue or silver)
- Accessories: see page 136

VARIABOX -L



Order no. **89084**
Components:
 6 domestic sockets 16A, 230V ~
 (system F - German earthing System)

Fuse:
 6 C-type MCBs 16A, 1p
 1 RCCB 40/0.03A, 4p

Cable entry at top and bottom:
 each with 1x M12, 1x M20, 2x M40

Connection option:
 for 2 cables up to 5 x 25 mm²

VARIABOX -L



Order no. **89085**
Components:
 2 domestic sockets 16A, 230V ~
 (system F - German earthing System)
 2 CEE sockets 16A, 400V, 5p

Fuse:
 2 Neozed D01, 1p
 2 Neozed D01, 3p

Cable entry at top and bottom:
 each with 1x M12, 1x M20, 2x M40

Connection option:
 for 2 cables up to 5 x 25 mm²

VARIABOX -L



Order no. **89075**
Components:
 2 domestic sockets 16A, 230V ~
 (system F - German earthing System)
 2 CEE sockets 16A, 400V, 5p

Fuse:
 2 C-type MCBs 16A, 1p
 2 C-type MCBs 16A, 3p
 1 RCCB 40/0.03A, 4p

Cable entry at top and bottom:
 each with 1x M12, 1x M20, 2x M40

Connection option:
 for 2 cables up to 5 x 25 mm²

VARIABOX -L



Order no. **89086**
Components:
 2 domestic sockets 16A, 230V ~
 (system F - German earthing System)
 1 CEE socket 16A, 400V, 5p
 1 CEE socket 32A, 400V, 5p

Fuse:
 2 Neozed D01, 1p
 1 Neozed D01, 3p
 1 Neozed D02, 3p

Cable entry at top and bottom:
 each with 1x M12, 1x M20, 2x M40

Connection option:
 for 2 cables up to 5 x 25 mm²

VARIABOX -L



Order no. **89076**
Components:
 2 domestic sockets 16A, 230V ~
 (system F - German earthing System)
 1 CEE socket 16A, 400V, 5p
 1 CEE socket 32A, 400V, 5p

Fuse:
 2 C-type MCBs 16A, 1p
 1 C-type MCB 16A, 3p
 1 C-type MCB 32A, 3p
 1 RCCB 40/0.03A, 4p

Cable entry at top and bottom:
 each with 1x M12, 1x M20, 2x M40

Connection option:
 for 2 cables up to 5 x 25 mm²

VARIABOX -L



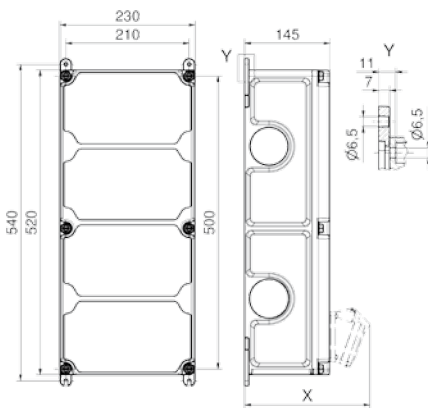
Order no. **89070**
Components:
 3 domestic sockets 16A, 230V ~
 (system F - German earthing System)
 1 CEE socket 16A, 400V, 5p
 1 CEE socket 32A, 400V, 5p

Fuse:
 3 C-type MCBs 16A, 1p
 1 C-type MCB 16A, 3p
 1 C-type MCB 32A, 3p

Cable entry at top and bottom:
 each with 1x M12, 1x M20, 2x M40

Connection option:
 for 2 cables up to 5 x 25 mm²

- Ready wired for installation
- Protection degree IP44
- All distributors on this page with domestic sockets, German earthing



depth x in (mm)	IP44
with	
OTC operating window	180
schuko-type	162
CEE 16A 3p	200
CEE 16A 4p	204
CEE 16A 5p	207
CEE 32A 3p/4p	211
CEE 32A 5p	213
CEE 63A 3p/4p/5p	229

- Dimension of enclosure: 520 x 230 mm
- Housing made of high-grade, impact-resistant plastic
- Hinged enclosure cover
- Top and bottom can be sealed together
- With external and internal fastening
- User-friendly OTC operating window
- Permanently attached cover screws
- Coded flange plate system for maximum safety during initial installation and maintenance
- Top section straight, CEE sockets angled
- All CEE sockets with screwless, maintenance-free QUICK-CONNECT technology
- Colours: bottom - black, top - electro-grey (enclosure top optionally available in the colours yellow, red, blue or silver)
- Accessories: see page 136

VARIABOX -XL



Order no. **89146**

Components:

- 2 domestic sockets 16A, 230V ~ (system F - German earthing System)
- 2 CEE sockets 32A, 400V, 5p

Fuse:

- 2 Neozed D01, 1p
- 2 Neozed D02, 3p

Cable entry at top and bottom:
each with 1x M12, 1x M20, 2x M40

Connection option:
for 2 cables up to 5 x 25 mm²

VARIABOX -XL



Order no. **89107**

Components:

- 3 domestic sockets 16A, 230V ~ (system F - German earthing System)
- 2 CEE sockets 32A, 400V, 5p

Fuse:

- 3 C-type MCBs 16A, 1p
- 2 C-type MCBs 32A, 3p
- 1 RCCB 63/0.03A, 4p

Cable entry at top and bottom:
each with 1x M12, 1x M20, 2x M40

Connection option:
for 2 cables up to 5 x 25 mm²

VARIABOX -XL



Order no. **89094**

Components:

- 2 domestic sockets 16A, 230V ~ (system F - German earthing System)
- 1 CEE socket 16A, 400V, 5p
- 1 CEE socket 32A, 400V, 5p

Fuse:

- 2 Neozed D01, 1p
- 1 Neozed D01, 3p
- 1 Neozed D02, 3p
- 1 RCCB 63/0.03A, 4p

Cable entry at top and bottom:
each with 1x M12, 1x M20, 2x M40

Connection option:
for 2 cables up to 5 x 25 mm²

VARIABOX -XL



Order no. **89099**

Components:

- 3 domestic sockets 16A, 230V ~ (system F - German earthing System)
- 1 CEE socket 16A, 400V, 5p
- 1 CEE socket 32A, 400V, 5p

Fuse:

- 3 C-type MCBs 16A, 1p
- 1 C-type MCB 16A, 3p
- 1 C-type MCB 32A, 3p
- 1 RCCB 63/0.03A, 4p

Cable entry at top and bottom:
each with 1x M12, 1x M20, 2x M40

Connection option:
for 2 cables up to 5 x 25 mm²

VARIABOX -XL



Order no. **89101**

Components:

- 4 domestic sockets 16A, 230V ~ (system F - German earthing System)
- 1 CEE socket 16A, 400V, 5p
- 1 CEE socket 32A, 400V, 5p

Fuse:

- 4 C-type MCBs 16A, 1p
- 1 C-type MCB 16A, 3p
- 1 C-type MCB 32A, 3p
- 1 RCCB 40/0.03A, 4p

Cable entry at top and bottom:
each with 1x M12, 1x M20, 2x M40

Connection option:
for 2 cables up to 5 x 25 mm²

VARIABOX -XL



Order no. **89095**

Components:

- 2 domestic sockets 16A, 230V ~ (system F - German earthing System)
- 1 CEE socket 16A, 400V, 5p
- 1 CEE socket 32A, 400V, 5p
- 1 CEE socket 63A, 400V, 5p

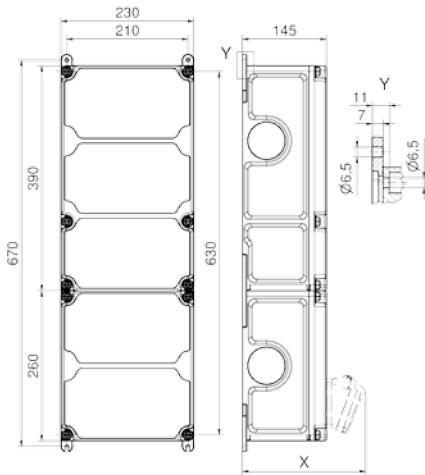
Fuse:

- 2 C-type MCBs 16A, 1p
- 1 C-type MCB 16A, 3p
- 1 C-type MCB 32A, 3p
- 1 RCCB 63/0.03A, 4p

Cable entry at top and bottom:
each with 1x M12, 1x M20, 2x M40

Connection option:
for 2 cables up to 5 x 25 mm²

- Ready wired for installation
- Protection degree IP44
- All distributors on this page with domestic sockets, German earthing



depth x in (mm)	with	IP44
180	OTC operating window	
162	schuko-type	
200	CEE 16A 3p	
204	CEE 16A 4p	
207	CEE 16A 5p	
211	CEE 32A 3p/4p	
213	CEE 32A 5p	
229	CEE 63A 3p/4p/5p	

30 MB 204

- Dimension of enclosure: 650 x 230 mm
- Housing made of high-grade, impact-resistant plastic
- Hinged enclosure cover
- Top and bottom can be sealed together
- With external and internal fastening
- User-friendly OTC operating window
- Permanently attached cover screws
- Coded flange plate system for maximum safety during initial installation and maintenance
- Top section straight, CEE sockets angled
- All CEE sockets with screwless, maintenance-free QUICK-CONNECT technology
- Colours: bottom - black, top - electro-grey (enclosure top optionally available in the colours yellow, red, blue or silver)
- Accessories: see page 136

VARIABOX-XXL



Order no. **89127**

Components:

- 4 domestic sockets 16A, 230V ~ (system F - German earthing System)
- 3 CEE sockets 16A, 400V, 5p

Fuse:

- 4 C-type MCBs 16A, 1p
- 3 C-type MCBs 16A, 3p
- 1 RCCB 63/0.03A, 4p

Cable entry at top and bottom:

each with 1x M12, 1x M20, 2x M40

Connection option:

for 2 cables up to 5 x 25 mm²

VARIABOX-XXL



Order no. **89122**

Components:

- 6 CEE sockets 16A, 230V, 3p

Fuse:

- 6 C-type MCBs 16A, 1p
- 6 RCCB 25/0.03A, 2p

Cable entry at top and bottom:

each with 1x M12, 1x M20, 2x M40

Connection option:

for 2 cables up to 5 x 25 mm²

VARIABOX-XXL



Order no. **89120**

Components:

- 6 domestic sockets 16A, 230V ~ (system F - German earthing System)
- 1 CEE socket 16A, 400V, 5p
- 1 CEE socket 32A, 400V, 5p

Fuse:

- 6 C-type MCBs 16A, 1p
- 1 C-type MCB 16A, 3p
- 1 C-type MCB 32A, 3p
- 1 RCCB 63/0.03A, 4p

Cable entry at top and bottom:

each with 1x M12, 1x M20, 2x M40

Connection option:

for 2 cables up to 5 x 25 mm²

VARIABOX-XXL



Order no. **89119**

Components:

- 4 domestic sockets 16A, 230V ~ (system F - German earthing System)
- 2 CEE sockets 16A, 400V, 5p
- 1 CEE socket 32A, 400V, 5p

Fuse:

- 4 C-type MCBs 16A, 1p
- 2 C-type MCBs 16A, 3p
- 1 C-type MCB 32A, 3p
- 1 RCCB 63/0.03A, 4p

Cable entry at top and bottom:

each with 1x M12, 1x M20, 2x M40

Connection option:

for 2 cables up to 5 x 25 mm²

VARIABOX-XXL



Order no. **89142**

Components:

- 3 domestic sockets 16A, 230V ~ (system F - German earthing System)
- 2 CEE sockets 16A, 400V, 5p
- 2 CEE sockets 32A, 400V, 5p

Fuse:

- 3 C-type MCBs 16A, 1p
- 2 C-type MCBs 16A, 3p
- 2 C-type MCBs 32A, 3p
- 1 RCCB 63/0.03A, 4p

Cable entry at top and bottom:

each with 1x M12, 1x M20, 2x M40

Connection option:

for 2 cables up to 5 x 25 mm²

VARIABOX-XXL



Order no. **89123**

Components:

- 2 domestic sockets 16A, 230V ~ (system F - German earthing System)
- 1 CEE socket 16A, 400V, 5p
- 1 CEE socket 32A, 400V, 5p
- 1 CEE socket 63A, 400V, 5p

Fuse:

- 2 C-type MCBs 16A, 1p
- 1 C-type MCB 16A, 3p
- 1 C-type MCB 32A, 3p
- 1 Neozed D02, 3p
- 1 RCCB 63/0.03A, 4p

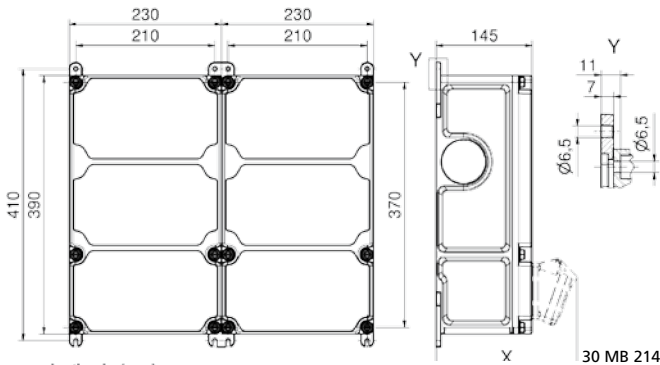
Cable entry at top and bottom:

each with 1x M12, 1x M20, 2x M40

Connection option:

for 2 cables up to 5 x 25 mm²

- Ready wired for installation
- Protection degree IP44
- All distributors on this page with domestic sockets, German earthing



depth x in (mm)

with	IP44	with	IP44
OTC operating window	180	CEE 16A 5p	207
schuko-type	162	CEE 32A 3p/4p	211
CEE 16A 3p	200	CEE 32A 5p	213
CEE 16A 4p	204	CEE 63A 3p/4p/5p	229

- Dimension of enclosure: 390 x 460 mm
- Housing made of high-grade, impact-resistant plastic
- Hinged enclosure cover
- Top and bottom can be sealed together
- With external and internal fastening
- User-friendly OTC operating window
- Permanently attached cover screws
- Coded flange plate system for maximum safety during initial installation and maintenance
- Top section straight, CEE sockets angled
- All CEE sockets with screwless, maintenance-free QUICK-CONNECT technology
- Colours: bottom - black, top - electro-grey (enclosure top optionally available in the colours yellow, red, blue or silver)
- Accessories: see page 136

VARIABOX -L DUO



Order no. **89128**

Components:

- 4 domestic sockets 16A, 230V ~ (system F - German earthing System)
- 3 CEE sockets 16A, 400V, 5p

Fuse:

- 4 Neozed D01, 1p
- 3 Neozed D01, 3p

Cable entry at top and bottom:
each with 1x M12, 1x M20, 2x M40

Connection option:
for 2 cables up to 5 x 25 mm²

VARIABOX -L DUO



Order no. **89129**

Components:

- 4 domestic sockets 16A, 230V ~ (system F - German earthing System)

- 1 CEE socket 16A, 230V, 3p
- 1 CEE socket 16A, 400V, 5p
- 1 CEE socket 32A, 400V, 5p

Fuse:

- 5 Neozed D01, 1p
- 1 Neozed D01, 3p
- 1 Neozed D02, 3p
- 1 RCCB 63/0.03A, 4p

Cable entry at top and bottom:
each with 1x M12, 1x M20, 2x M40

Connection option:
for 2 cables up to 5 x 25 mm²

VARIABOX -L DUO



Order no. **89134**

Components:

- 4 domestic sockets 16A, 230V ~ (system F - German earthing System)
- 2 CEE sockets 16A, 400V, 5p
- 1 CEE socket 32A, 400V, 5p

Fuse:

- 4 Neozed D01, 1p
- 2 Neozed D01, 3p
- 1 Neozed D02, 3p
- 1 RCCB 63/0.03A, 4p

Cable entry at top and bottom:
each with 1x M12, 1x M20, 2x M40

Connection option:
for 2 cables up to 5 x 25 mm²

VARIABOX -L DUO



Order no. **890083**

Components:

- 4 domestic sockets 16A, 230V ~ (system F - German earthing System)

- 1 CEE socket 16A, 400V, 5p
- 1 CEE socket 32A, 400V, 5p
- 1 CEE socket 63A, 400V, 5p
- 1 double data socket RJ45 CAT6 IP55

Fuse:

- 4 C-type MCBs 16A, 1p
- 1 C-type MCB 16A, 3p
- 1 C-type MCB 32A, 3p
- 1 C-type MCB 63A, 3p
- 1 RCCB 63/0.03A, 4p

Cable entry at top and bottom:
each with 2x M20, 2x M40

Connection option:
for 2 cables up to 5 x 25 mm²

VARIABOX -L DUO



Order no. **89148**

Components:

- 6 domestic sockets 16A, 230V ~ (system F - German earthing System)
- 1 CEE socket 16A, 400V, 5p
- 1 CEE socket 32A, 400V, 5p
- 1 CEE socket 63A, 400V, 5p

Fuse:

- 3 Neozed D01, 1p
- 1 Neozed D01, 3p
- 1 Neozed D02, 3p
- 1 RCCB 63/0.03A, 4p

Cable entry at top and bottom:
1x M12, 1x M20, 2x M40

Connection option:
for 2 cables up to 5 x 25 mm²

VARIABOX -L DUO



Order no. **89987**

Components:

- 10 domestic sockets 16A, 230V ~ (system F - German earthing System)

- 1 CEE socket 16A, 400V, 5p
- 1 CEE socket 32A, 400V, 5p

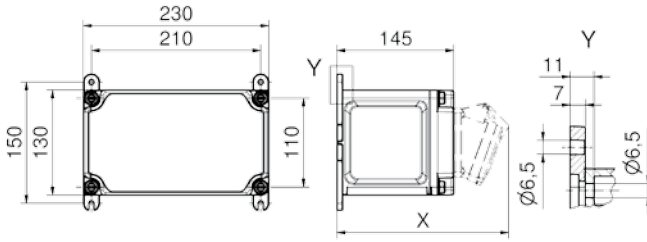
Fuse:

- 10 C-type MCBs 16A, 1p
- 1 C-type MCB 16A, 3p
- 1 C-type MCB 32A, 3p
- 1 RCCB 63/0.03A, 4p

Cable entry at top and bottom:
each with 1x M12, 1x M20, 2x M40

Connection option:
for 2 cables up to 5 x 25 mm²

- Ready wired for installation
- Protection degree IP44
- All distributors on this page with domestic sockets, German earthing



depth x in (mm)

with	IP67
OTC operating window	180
schuko-type	205
CEE 16A 3p	200
CEE 16A 4p	202

30 MB 208

with	IP67
CEE 16A 5p	205
CEE 32A 3p/4p	213
CEE 32A 5p	214
CEE 63A 3p/4p/5p	231

- Dimension of enclosure: 130 x 230 mm
- Housing made of high-grade, impact-resistant plastic
- Top and bottom can be sealed together
- With external and internal fastening
- Permanently attached cover screws
- Top section straight, CEE sockets angled
- All CEE sockets with screwless, maintenance-free QUICK-CONNECT technology
- Colours: bottom - black, top - electro-grey (enclosure top optionally available in the colours yellow, red, blue or silver)
- Accessories: see page 136

VARIABOX -S IP67

Order no. **890919**

Components:

2 domestic sockets 16A, 230V ~
(system F - German earthing System)

Cable entry at top and bottom:
each with 1x M12, 1x M20, 2x M25

Connection option:
for 1 cable up to 3 x 4 mm²



VARIABOX -S IP67

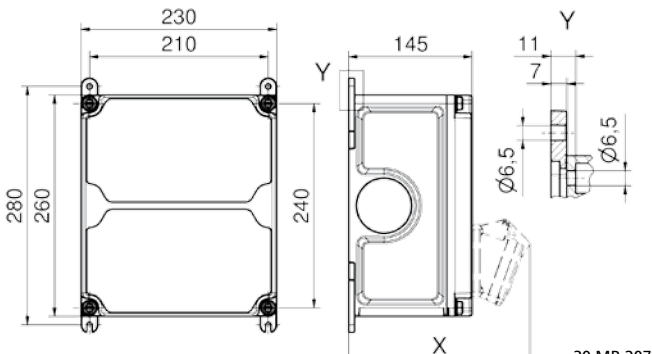
Order no. **890920**

Components:

1 domestic socket 16A, 230V
(system F - German earthing System)
1 CEE socket 16A, 400V, 5p

Cable entry at top and bottom:
each with 1x M12, 1x M20, 2x M25

Connection option:
for 1 cable up to 5 x 4 mm²



depth x in (mm)

with	IP67
OTC operating window	180
schuko-type	205
CEE 16A 3p	200
CEE 16A 4p	202

30 MB 207

with	IP67
CEE 16A 5p	205
CEE 32A 3p/4p	213
CEE 32A 5p	214
CEE 63A 3p/4p/5p	231

- Dimension of enclosure: 260 x 230 mm
- Housing made of high-grade, impact-resistant plastic
- Hinged enclosure cover
- Top and bottom can be sealed together
- With external and internal fastening
- User-friendly OTC operating window
- Permanently attached cover screws
- Coded flange plate system for maximum safety during initial installation and maintenance
- Top section straight, CEE sockets angled
- All CEE sockets with screwless, maintenance-free QUICK-CONNECT technology
- Colours: bottom - black, top - electro-grey (enclosure top optionally available in the colours yellow, red, blue or silver)
- Accessories: see page 136

VARIABOX -M IP67

Order no. **890921**

Components:

1 domestic socket 16A, 230V
(system F - German earthing System)
1 CEE socket 16A, 400V, 5p

Fuse:
1 C-type MCB 16A, 1p
1 C-type MCB 16A, 3p
1 RCCB 40/0.03A, 4p

Cable entry at top and bottom:
each with 1x M12, 1x M20, 2x M40

Connection option:
for 2 cables up to 5 x 25 mm²



VARIABOX -M IP67

Order no. **890922**

Components:

1 domestic socket 16A, 230V
(system F - German earthing System)
1 CEE socket 32A, 400V, 5p

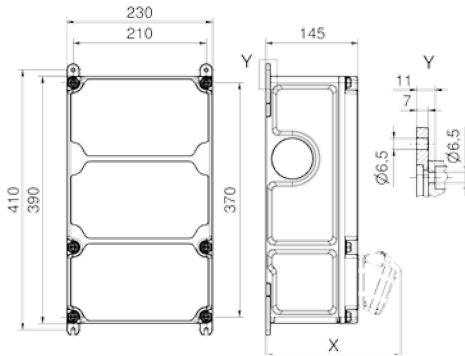
Fuse:
1 C-type MCB 16A, 1p
1 C-type MCB 32A, 3p
1 RCCB 40/0.03A, 4p

Cable entry at top and bottom:
each with 1x M12, 1x M20, 2x M40

Connection option:
for 2 cables up to 5 x 25 mm²



- Ready wired for installation
- Protection degree IP44
- All distributors on this page with domestic sockets, German earthing



depth x in (mm)

with	IP67	with	IP67
OTC operating window	180	CEE 16A 5p	205
schuko-type	205	CEE 32A 3p/4p	213
CEE 16A 3p	200	CEE 32A 5p	214
CEE 16A 4p	202	CEE 63A 3p/4p/5p	231

30 MB 206

- Dimension of enclosure: 390 x 230 mm
- Housing made of high-grade, impact-resistant plastic
- Hinged enclosure cover
- Top and bottom can be sealed together
- With external and internal fastening
- User-friendly OTC operating window
- Permanently attached cover screws
- Coded flange plate system for maximum safety during initial installation and maintenance
- Top section straight, CEE sockets angled
- All CEE sockets with screwless, maintenance-free QUICK-CONNECT technology
- Colours: bottom - black , top - electro-grey (enclosure top optionally available in the colours yellow, red, blue or silver)
- Accessories: see page 136

VARIABOX -L IP67



Order no. **890923**

Components:

- 2 domestic sockets 16A, 230V ~ (system F - German earthing System)
- 1 CEE socket 16A, 400V, 5p
- 1 CEE socket 32A, 400V, 5p

Fuse:

- 2 C-type MCBs 16A, 1p
- 1 C-type MCB 16A, 3p
- 1 RCCB 40/0.03A, 4p

Cable entry at top and bottom:

each with 1x M12, 1x M20, 2x M40

Connection option:

for 2 cables up to 5 x 25 mm²

VARIABOX -L IP67



Order no. **890924**

Components:

- 2 domestic sockets 16A, 230V ~ (system F - German earthing System)
- 1 CEE socket 16A, 400V, 5p
- 1 CEE socket 32A, 400V, 5p

Fuse:

- 2 C-type MCBs 16A, 1p
- 1 C-type MCB 16A, 3p
- 1 C-type MCB 32A, 3p

Cable entry at top and bottom:

each with 1x M12, 1x M20, 2x M40

Connection option:

for 2 cables up to 5 x 25 mm²

VARIABOX -L IP67



Order no. **890925**

Components:

- 3 domestic sockets 16A, 230V ~ (system F - German earthing System)
- 1 CEE socket 16A, 400V, 5p

Fuse:

- 3 C-type MCBs 16A, 1p
- 1 C-type MCB 16A, 3p
- 1 RCCB 40/0.03A, 4p

Cable entry at top and bottom:

each with 1x M12, 1x M20, 2x M40

Connection option:

for 2 cables up to 5 x 25 mm²

VARIABOX -L IP67



Order no. **890926**

Components:

- 3 domestic sockets 16A, 230V ~ (system F - German earthing System)
- 1 CEE socket 32A, 400V, 5p

Fuse:

- 3 C-type MCBs 16A, 1p
- 1 C-type MCB 32A, 3p
- 1 RCCB 40/0.03A, 4p

Cable entry at top and bottom:

each with 1x M12, 1x M20, 2x M40

Connection option:

for 2 cables up to 5 x 25 mm²

VARIABOX -L IP67



Order no. **890927**

Components:

- 2 domestic sockets 16A, 230V ~ (system F - German earthing System)
- 2 CEE sockets 16A, 400V, 5p

Fuse:

- 2 C-type MCBs 16A, 1p
- 2 C-type MCBs 16A, 3p

Cable entry at top and bottom:

each with 1x M12, 1x M20, 2x M40

Connection option:

for 2 cables up to 5 x 25 mm²

VARIABOX -L IP67



Order no. **890928**

Components:

- 2 domestic sockets 16A, 230V ~ (system F - German earthing System)
- 2 CEE sockets 32A, 400V, 5p

Fuse:

- 2 C-type MCBs 16A, 1p
- 2 C-type MCBs 32A, 3p

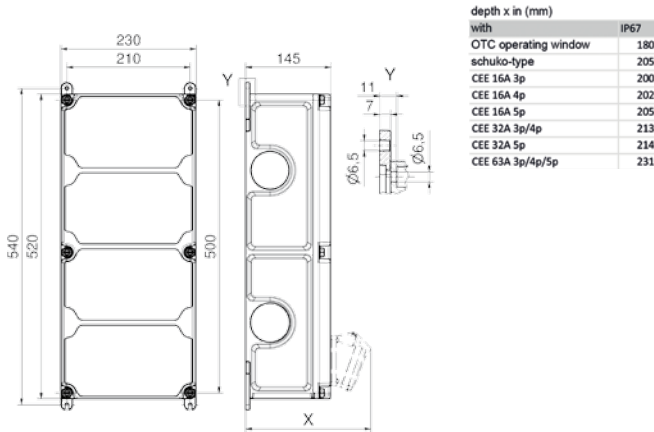
Cable entry at top and bottom:

each with 1x M12, 1x M20, 2x M40

Connection option:

for 2 cables up to 5 x 25 mm²

- Ready wired for installation
- Protection degree IP44
- All distributors on this page with domestic sockets, German earthing



- Dimension of enclosure: 520 x 230 mm
- Housing made of high-grade, impact-resistant plastic
- Hinged enclosure cover
- Top and bottom can be sealed together
- With external and internal fastening
- User-friendly OTC operating window
- Permanently attached cover screws
- Coded flange plate system for maximum safety
- during initial installation and maintenance
- Top section straight, CEE sockets angled
- All CEE sockets with screwless, maintenance-free QUICK-CONNECT technology
- Colours: bottom - black, top - electro-grey (enclosure top optionally available in the colours yellow, red, blue or silver)
- Accessories: see page 136

30 MB 205

VARIABOX -XL IP67



Order no. **890929**

Components:

2 domestic sockets 16A, 230V ~
(system F - German earthing System)

1 CEE socket 16A, 400V, 5p
1 CEE socket 32A, 400V, 5p

Fuse:

2 C-type MCBs 16A, 1p
1 C-type MCB 16A, 3p
1 C-type MCB 32A, 3p
1 RCCB 40/0.03A, 4p

Cable entry at top and bottom:
each with 1x M12, 1x M20, 2x M40

Connection option:
for 2 cables up to 5 x 25 mm²

VARIABOX -XL IP67



Order no. **890930**

Components:

2 domestic sockets 16A, 230V ~
(system F - German earthing System)

1 CEE socket 16A, 400V, 5p
1 CEE socket 32A, 400V, 5p

Fuse:

2 C-type MCBs 16A, 1p
1 C-type MCB 16A, 3p
1 C-type MCB 32A, 3p
1 RCCB 63/0.03A, 4p

Cable entry at top and bottom:
each with 1x M12, 1x M20, 2x M40

Connection option:
for 2 cables up to 5 x 25 mm²

VARIABOX -XL IP67



Order no. **890931**

Components:

3 domestic sockets 16A, 230V ~
(system F - German earthing System)

1 CEE socket 16A, 400V, 5p
1 CEE socket 32A, 400V, 5p

Fuse:

3 C-type MCBs 16A, 1p
1 C-type MCB 16A, 3p
1 C-type MCB 32A, 3p
1 RCCB 63/0.03A, 4p

Cable entry at top and bottom:
each with 1x M12, 1x M20, 2x M40

Connection option:
for 2 cables up to 5 x 25 mm²

VARIABOX -XL IP67



Order no. **890932**

Components:

2 domestic sockets 16A, 230V ~
(system F - German earthing System)

2 CEE sockets 16A, 400V, 5p

Fuse:

2 C-type MCBs 16A, 1p
2 C-type MCBs 16A, 3p
1 RCCB 40/0.03A, 4p

Cable entry at top and bottom:
each with 1x M12, 1x M20, 2x M40

Connection option:
for 2 cables up to 5 x 25 mm²

VARIABOX -XL IP67



Order no. **890933**

Components:

2 domestic sockets 16A, 230V ~
(system F - German earthing System)

2 CEE sockets 32A, 400V, 5p

Fuse:

2 C-type MCBs 16A, 1p
2 C-type MCBs 32A, 3p
1 RCCB 63/0.03A, 4p

Cable entry at top and bottom:
each with 1x M12, 1x M20, 2x M40

Connection option:
for 2 cables up to 5 x 25 mm²

VARIABOX -XL IP67



Order no. **890934**

Components:

3 domestic sockets 16A, 230V ~
(system F - German earthing System)

2 CEE sockets 16A, 400V, 5p

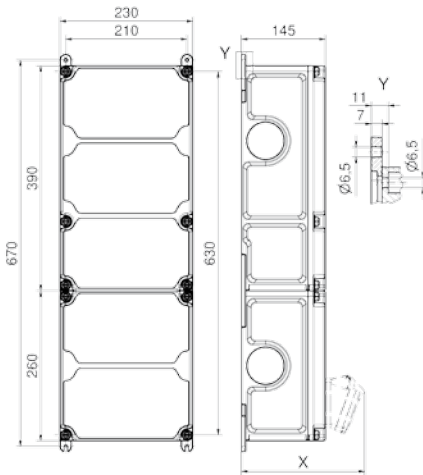
Fuse:

3 C-type MCBs 16A, 1p
2 C-type MCBs 16A, 3p
1 RCCB 40/0.03A, 4p

Cable entry at top and bottom:
each with 1x M12, 1x M20, 2x M40

Connection option:
for 2 cables up to 5 x 25 mm²

- Ready wired for installation
- Protection degree IP44
- All distributors on this page with domestic sockets, German earthing



depth x in (mm)	IP67
with	180
OTC operating window	180
schuko-type	205
CEE 16A 3p	200
CEE 16A 4p	202
CEE 16A 5p	205
CEE 32A 3p/4p	213
CEE 32A 5p	214
CEE 63A 3p/4p/5p	231

30 MB 204

- Dimension of enclosure: 650 x 230 mm
- Housing made of high-grade, impact-resistant plastic
- Hinged enclosure cover
- Top and bottom can be sealed together
- With external and internal fastening
- User-friendly OTC operating window
- Permanently attached cover screws
- Coded flange plate system for maximum safety during initial installation and maintenance
- Top section straight, CEE sockets angled
- All CEE sockets with screwless, maintenance-free QUICK-CONNECT technology
- Colours: bottom - black, top - electro-grey (enclosure top optionally available in the colours yellow, red, blue or silver)

VARIABOX -XXL IP67



Order no. **890935**

Components:

2 domestic sockets 16A, 230V ~
(system F - German earthing System)

1 CEE socket 16A, 400V, 5p
1 CEE socket 32A, 400V, 5p
1 CEE socket 63A, 400V, 5p

Fuse:

2 C-type MCBs 16A, 1p
1 C-type MCB 16A, 3p
1 C-type MCB 32A, 3p
1 RCCB 63/0.03A, 4p

Cable entry at top and bottom:
each with 1x M12, 1x M20, 2x M40

Connection option:
for 2 cables up to 5 x 25 mm²

VARIABOX -XXL IP67



Order no. **890936**

Components:

3 domestic sockets 16A, 230V ~
(system F - German earthing System)

2 CEE sockets 16A, 400V, 5p
1 CEE socket 32A, 400V, 5p

Fuse:

3 C-type MCBs 16A, 1p
2 C-type MCBs 16A, 3p
1 C-type MCB 32A, 3p
1 RCCB 63/0.03A, 4p

Cable entry at top and bottom:
each with 1x M12, 1x M20, 2x M40

Connection option:
for 2 cables up to 5 x 25 mm²

VARIABOX -XXL IP67



Order no. **890937**

Components:

3 domestic sockets 16A, 230V ~
(system F - German earthing System)

1 CEE socket 16A, 400V, 5p
1 CEE socket 32A, 400V, 5p
1 CEE socket 63A, 400V, 5p

Fuse:

3 C-type MCBs 16A, 1p
1 C-type MCB 16A, 3p
1 C-type MCB 32A, 3p
1 RCCB 63/0.03A, 4p

Cable entry at top and bottom:
each with 1x M12, 1x M20, 2x M40

Connection option:
for 2 cables up to 5 x 25 mm²

VARIABOX -XXL IP67



Order no. **890938**

Components:

3 domestic sockets 16A, 230V ~
(system F - German earthing System)

1 CEE socket 16A, 400V, 5p
2 CEE sockets 32A, 400V, 5p

Fuse:

3 C-type MCBs 16A, 1p
1 C-type MCB 16A, 3p
2 C-type MCBs 32A, 3p
1 RCCB 63/0.03A, 4p

Cable entry at top and bottom:
each with 1x M12, 1x M20, 2x M40

Connection option:
for 2 cables up to 5 x 25 mm²

VARIABOX -XXL IP67



Order no. **890939**

Components:

2 domestic sockets 16A, 230V ~
(system F - German earthing System)

2 CEE sockets 16A, 400V, 5p
1 CEE socket 32A, 400V, 5p
1 CEE socket 63A, 400V, 5p

Fuse:

1 C-type MCB 16A, 1p
2 C-type MCBs 16A, 3p
1 C-type MCB 32A, 3p
1 RCCB 63/0.03A, 4p

Cable entry at top and bottom:
each with 1x M12, 1x M20, 2x M40

Connection option:
for 2 cables up to 5 x 25 mm²

VARIABOX -XXL IP67



Order no. **890940**

Components:

2 domestic sockets 16A, 230V ~
(system F - German earthing System)

1 CEE socket 16A, 400V, 5p
1 CEE socket 32A, 400V, 5p
1 CEE socket 63A, 400V, 5p

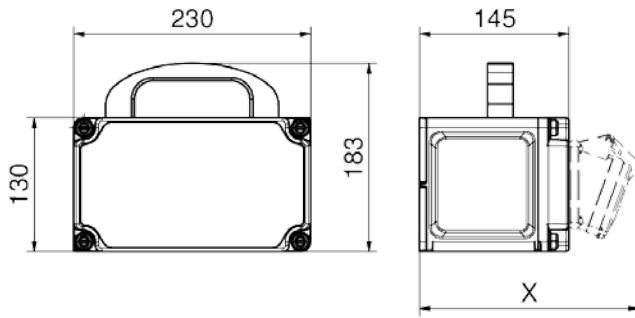
Fuse:

2 C-type MCBs 16A, 1p
1 C-type MCB 16A, 3p
1 C-type MCB 32A, 3p
1 C-type MCB 63A, 3p
1 RCCB 63/0.03A, 4p

Cable entry at top and bottom:
each with 1x M12, 1x M20, 2x M40

Connection option:
for 2 cables up to 5 x 25 mm²

- Protection degree IP44
- All distributors on this page with domestic sockets, German earthing



depth x in (mm)

with	IP44
OTC operating window	180
schuko-type	162
CEE 16A 3p	200
CEE 16A 4p	204

30 MB 213

with	IP44
CEE 16A 5p	207
CEE 32A 3p/4p	211
CEE 32A 5p	213
CEE 63A 3p/4p/5p	229

- Dimension of enclosure: 130 x 230 mm
- With high quality handle
- Housing made of high-grade, impact-resistant plastic
- Top and bottom can be sealed together
- Permanently attached cover screws
- Top section straight, CEE sockets angled
- All CEE sockets with screwless, maintenance-free QUICK-CONNECT technology
- Colours: bottom - black, top - electro-grey (enclosure top optionally available in the colours yellow, red, blue or silver)

VARIABOX -S Mobil

Order no. **85000**

Components:

3 domestic sockets 16A, 230V ~
(system F - German earthing System)

Cable entry:

Domestic plug 16A, 230V
with 2 m lead H07RN-F3G2,5



VARIABOX -S Mobil

Order no. **85006**

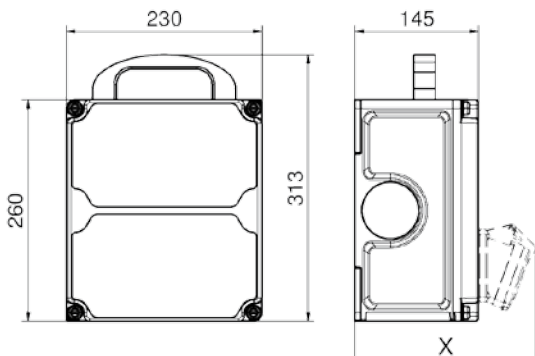
Components:

2 domestic sockets 16A, 230V ~
(system F - German earthing System)

1 CEE socket 16A, 400V, 5p

Cable entry:

CEE plug 16A, 400V, 5p with
2 m cable H07RN-F5G2,5



depth x in (mm)

with	IP44
OTC operating window	180
schuko-type	162
CEE 16A 3p	200
CEE 16A 4p	204

30 MB 212

with	IP44
CEE 16A 5p	207
CEE 32A 3p/4p	211
CEE 32A 5p	213
CEE 63A 3p/4p/5p	229

- Dimension of enclosure: 260 x 230 mm
- With high quality handle
- Housing made of high-grade, impact-resistant plastic
- Top and bottom can be sealed together
- User-friendly OTC operating window
- Permanently attached cover screws
- Coded flange plate system for maximum safety during initial installation and maintenance
- Top section straight, CEE sockets angled
- All CEE sockets with screwless, maintenance-free QUICK-CONNECT technology
- Colours: bottom - black, top - electro-grey (enclosure top optionally available in the colours yellow, red, blue or silver)

VARIABOX -M Mobil

Order no. **85007**

Components:

2 domestic sockets 16A, 230V ~
(system F - German earthing System)

1 CEE socket 16A, 400V, 5p

Fuse:

2 C-type MCBs 16A, 1p
1 C-type MCB 16A, 3p
1 RCCB 40/0.03A, 4p

Cable entry:

CEE plug 32A, 400V, 5p with
2 m cable H07RN-F5G4



VARIABOX -M Mobil

Order no. **85002**

Components:

3 domestic sockets 16A, 230V ~
(system F - German earthing System)

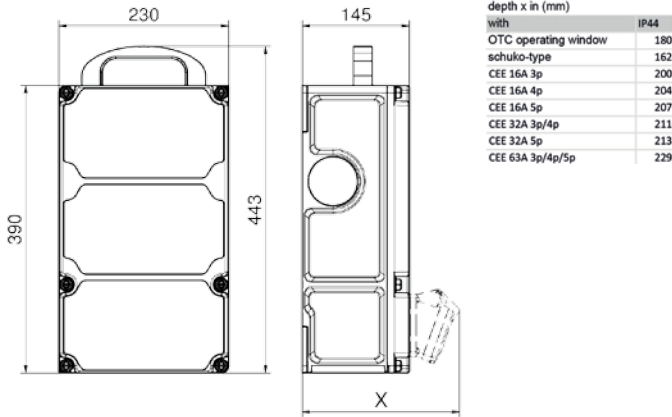
2 CEE sockets 16A, 400V, 5p

Cable entry:

CEE plug 16A, 400V, 5p with
2 m cable H07RN-F5G2,5



- Protection degree IP44
- All distributors on this page with domestic sockets, German earthing



30 MB 211

- Dimension of enclosure: 390 x 230 mm
- With high quality handle
- Housing made of high-grade, impact-resistant plastic
- Top and bottom can be sealed together
- User-friendly OTC operating window
- Permanently attached cover screws
- Coded flange plate system for maximum safety during initial installation and maintenance
- Top section straight, CEE sockets angled
- All CEE sockets with screwless, maintenance-free QUICK-CONNECT technology
- Colours: bottom - black, top - electro-grey (enclosure top optionally available in the colours yellow, red, blue or silver)

VARIABOX-L Mobile



Order no. **85008**
Components:
 2 domestic sockets 16A, 230V ~ (system F - German earthing System)
 1 CEE socket 16A, 400V, 5p
 1 CEE socket 32A, 400V, 5p
Fuse:
 2 C-type MCBs 16A, 1p
 1 C-type MCB 16A, 3p
 1 RCCB 40/0.03A, 4p
Cable entry:
 CEE plug 32A, 400V, 5p with 2 m cable H07RN-F5G6

VARIABOX-L Mobile



Order no. **85036**
Components:
 6 domestic sockets 16A, 230V ~ (system F - German earthing System)
Fuse:
 6 C-type MCBs 16A, 1p
 1 RCCB 40/0.03A, 4p
Cable entry:
 CEE plug 32A, 400V, 5p with 2 m cable H07RN-F5G4

VARIABOX-L Mobile



Order no. **85009**
Components:
 3 domestic sockets 16A, 230V ~ (system F - German earthing System)
 1 CEE socket 16A, 400V, 5p
 1 CEE socket 32A, 400V, 5p
Fuse:
 3 C-type MCBs 16A, 1p
 1 C-type MCB 16A, 3p
 1 RCCB 40/0.03A, 4p
Cable entry:
 CEE plug 32A, 400V, 5p with 2 m cable H07RN-F5G6

VARIABOX-L Mobile



Order no. **85016**
Components:
 3 domestic sockets 16A, 230V ~ (system F - German earthing System)
 1 CEE socket 16A, 400V, 5p
Fuse:
 3 C-type MCBs 16A, 1p
 1 C-type MCB 16A, 3p
 1 RCCB 40/0.03A, 4p
Cable entry:
 CEE plug 32A, 400V, 5p with 2 m cable H07RN-F5G4

VARIABOX-L Mobile



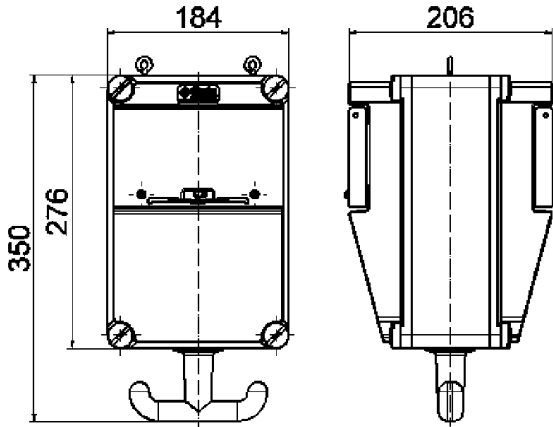
Order no. **85034**
Components:
 4 domestic sockets 16A, 230V ~ (system F - German earthing System)
 1 CEE socket 16A, 400V, 5p
 1 CEE socket 32A, 400V, 5p
Fuse:
 4 C-type MCBs 16A, 1p
 1 C-type MCB 16A, 3p
 1 RCCB 40/0.03A, 4p
Cable entry:
 CEE plug 32A, 400V, 5p with 2 m cable H07RN-F5G6

VARIABOX-L Mobile



Order no. **85005**
Components:
 6 domestic sockets 16A, 230V ~ (system F - German earthing System)
Fuse:
 1 RCCB 40/0.03A, 4p
Cable entry:
 CEE plug 16A, 400V, 5p with 2 m cable H07RN-F5G2,5

- Ready wired for installation
- Protection degree IP44
- All distributors on this page with domestic sockets, German earthing



30MB186

- Dimension of enclosure: 2 x 276 x 184 mm
- Enclosure made of high-grade, impact-resistant plastic
- Hinged window can be locked and lead-sealed
- 9 modules can be installed on each enclosure side
- Hinged lid
- Grip hooks in signal yellow

Order no. **572567**

Components:
2 Domestic sockets 16A, 230V ~ (system F - German earthing System)
2 CEE sockets 16A, 400V, 5p

Protection:
2 C-type MCBs 16A, 1p
2 C-type MCBs 16A, 3p
1 RCCB 40/0.03A, 4p

Cable entry:
1x M40

Connection option:
for 1 cable up to 5 x 10 mm²

Order no. **574339**

Components:
2 Domestic sockets 16A, 230V ~ (system F - German earthing System)
1 CEE socket 16A, 400V, 5p
1 CEE socket 32A, 400V, 5p

Protection:
2 C-type MCBs 16A, 1p
1 C-type MCB 16A, 3p
1 C-type MCB 32A, 3p
1 RCCB 40/0.03A, 4p

Cable entry:
1x M40

Connection option:
for 1 cable up to 5 x 10 mm²

Order no. **573671**

Components:
6 Domestic sockets 16A, 230V ~ (system F - German earthing System)

Protection:
6 C-type MCBs 16A, 1p
1 RCCB 40/0.03A, 4p

Cable entry:
1x M32

Connection option:
for 1 cable up to 5 x 16 mm²

Order no. **572551**

Components:
4 Domestic sockets 16A, 230V ~ (system F - German earthing System)

Protection:
4 C-type MCBs 16A, 1p
1 RCCB 40/0.03A, 4p

Cable entry:
1x M32

Connection option:
for 1 cable up to 5 x 25 mm²

Order no. **572185**

Components:
3 Domestic sockets 16A, 230V ~ (system F - German earthing System)
1 CEE socket 16A, 400V, 5p

Protection:
3 C-type MCBs 16A, 1p
1 C-type MCB 16A, 3p
1 RCCB 40/0.03A, 4p

Cable entry:
1x M32

Connection option:
for 1 cable up to 5 x 10 mm²

Order no. **574420**

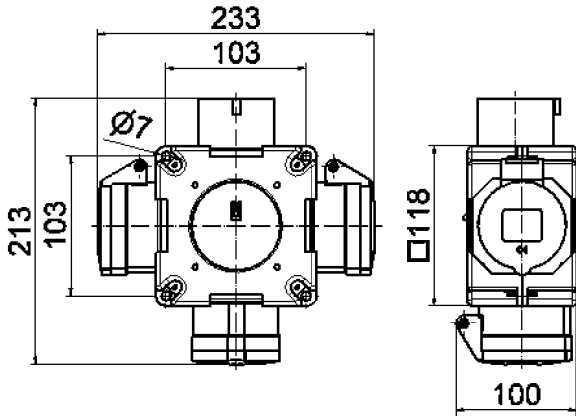
Components:
2 Domestic sockets 16A, 230V ~ (system F - German earthing System)
2 CEE sockets 16A, 400V, 5p
1 compressed air connection: (inlet: 1/2" pipe with external thread; outlet: 1/2" quick-release connector)

Protection:
2 C-type MCBs 16A, 1p
2 C-type MCBs 16A, 3p

Cable entry:
1x M32

Connection option:
for 1 cable up to 5 x 10 mm²

- Ready wired for installation
- Protection degree IP44
- All distributors on this page with domestic sockets, German earthing



30MB061

- Dimension of enclosure: 118 x 118 mm
- Ready wired for installation
- Enclosure made of high-grade, impact-resistant plastic
- Small, compact design
- Variable configuration
- Hanging bracket made of V2A stainless steel



Order no. **54655**

Components:
2 Domestic sockets 16A, 230V ~
(system F - German earthing System)
1 CEE socket 16A, 230V, 3p

Cable entry/Input::
1 CEE inlet 16A, 230V, 3p



Order no. **54657**

Components:
2 Domestic sockets 16A, 230V ~
(system F - German earthing System)
1 CEE socket 16A, 400V, 5p

Cable entry/Input::
1 CEE plug 16A, 400V, 5p with
1.5 m cable H07RN-F5G2,5



Order no. **54880**

Components:
3 Domestic sockets 16A, 230V ~
(system F - German earthing System)
1 CEE socket 16A, 400V, 5p

Cable entry/Input::
1x M25

Connection option:
for 1 cable up to 5x 2.5 mm²



Order no. **54568**

Components:
3 CEE sockets 16A, 230V, 3p

Cable entry/Input::
1 CEE plug 16A, 230V, 3p with
1.5 m cable H07RN-F3G2,5



Order no. **54566**

Components:
3 CEE sockets 16A, 230V, 3p

Cable entry/Input::
1 CEE inlet 16A, 230V, 3p

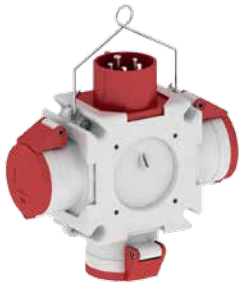


Order no. **54569**

Components:
3 CEE sockets 16A, 400V, 5p

Cable entry/Input::
1 CEE plug 16A, 400V, 5p with
1.5 m cable H07RN-F5G2,5

- Ready wired for installation
- Protection degree IP44
- All distributors on this page with domestic sockets, German earthing



Order no. **546**

Components:
3 CEE sockets 16A, 400V, 5p

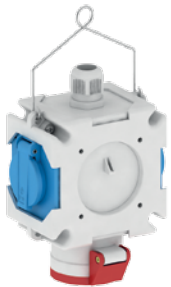
Cable entry/Input::
1 CEE inlet 16A, 400V, 5p



Order no. **54567**

Components:
3 CEE sockets 32A, 400V, 5p

Cable entry/Input::
1 CEE inlet 32A, 400V, 5p

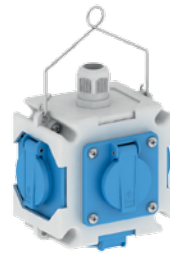


Order no. **54740**

Components:
2 Domestic sockets 16A, 230V ~
(system F - German earthing System)
1 CEE socket 16A, 400V, 5p

Cable entry/Input::
1x M25

Connection option:
for 1 cable up to 5x 2.5 mm²

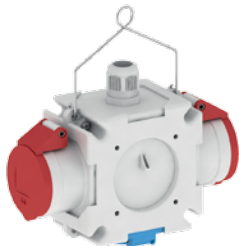


Order no. **54929**

Components:
4 Domestic sockets 16A, 230V ~
(system F - German earthing System)

Cable entry/Input::
1x M25

Connection option:
for 1 cable up to 5x 2.5 mm²



Order no. **540055**

Components:
1 Domestic socket 16A, 230V ~
(system F - German earthing System)
2 CEE sockets 16A, 400V, 5p

Cable entry/Input::
1x M25

Connection option:
for 1 cable up to 5x 2.5 mm²

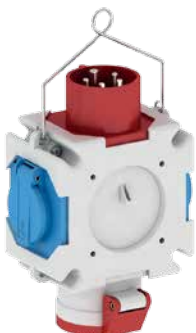


Order no. **54741**

Components:
3 CEE sockets 16A, 230V, 3p

Cable entry/Input::
1x M25

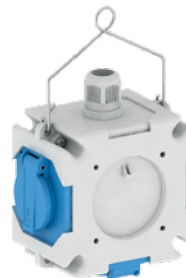
Connection option:
for 1 cable up to 5x 2.5 mm²



Order no. **54580**

Components:
2 Domestic sockets 16A, 230V ~
(system F - German earthing System)
1 CEE socket 16A, 400V, 5p

Cable entry/Input::
1 CEE inlet 16A, 400V, 5p



Order no. **54801**

Components:
3 Domestic sockets 16A, 230V ~
(system F - German earthing System)

Cable entry/Input::
1x M25

Connection option:
for 1 cable up to 5x 2.5 mm²

Cable Gland

- Black
- Protection degree IP67



	Thread	Sealing range	Order no.
	M12	3-6 mm	580647
	M20	8-13 mm	580648
	M25	11-17 mm	580649
	M32	15-21 mm	580650
	M40	19-28 mm	580651
Multiple sealing insert	for M25	2x8 mm	580652
	for M32	4x8 mm	580653

Cable Gland with Pressure Equalisation

The use of pressure equalisation cable glands allows the internal pressure to adjust to the ambient pressure. The type-tested protection degree of the enclosure is fully retained. Temperature fluctuations, intense sunlight, or a sudden change in weather can cause condensation to form in combination enclosures. Basically, condensation can form in all sealed combination enclosures. The higher the protection degree is, the more likely the formation of condensation will be. We therefore recommend, especially in the case of distributors with protection degree IP67, the use of pressure equalisation cable glands.



- Minimised condensation formation and therefore reduction in downtimes and time-consuming and expensive repair work
- No expensive and high-maintenance ventilation technology required
- No drip holes which reduce the level of protection
- With air ducts for pressure equalisation
- black
- Protection degree IP67

	Thread	Sealing range	Order no.
	M20	6-13 mm	580656
	M25	9-17 mm	580657
	M32	13-21 mm	580658
	M40	16-28 mm	580659

Mounting Set



- For VARIABOX S - XL
- Consisting of:
4 screws 6 x 60 mm
4 screw anchors 8 x 51 mm

Order no. **580640**

- For VARIABOX XXL
- Consisting of:
6 screws 6 x 60 mm
6 screw anchors 8 x 51 mm

Order no. **580727**

Lock Set



- For OTC window
- With long shackle and 2 keys

Order no. **580642**

Portable Stand



- For VARIABOX M, L, XL
- Hot-dip galvanised steel tubing
- Folding
- Weight 4 kg
- Dimensions: 350/570 x 780 x 540 mm (W x H x D)

Order no. **580643**

Surface Mounting Socket Outlets Unit



- For VARIABOX M and L
- Colour yellow, RAL 1023

Order no. **580641**



We live in a fast-moving age. It is also frequently necessary to make modifications to power distribution systems. Power distributors used in industrial buildings, production facilities, laboratories, harbour docks, markets, tunnel, road construction sites and many other locations therefore frequently need to be adapted and are subject to very rough treatment.

The MODBOX[®] is the ideal solution. The new patented MODBOX[®] rubber distributor series from Bals Elektrotechnik GmbH combines all the demands placed on current distributors up to a maximum protection degree of IP67. As far as impact resistance is concerned, the MODBOX[®] leaves no wish unfulfilled.

The material properties of the MODBOX[®] are unique: its robustness and resistance to ageing, temperature, oil and acid are unbeatable. The MODBOX[®] is, of course, also fully insulated, UV-resistant and halogen-free as well as flame-resistant and self-extinguishing.

The truly innovative enclosure design allows existing installations to be adapted quickly. Order separation attachments are provided in the enclosure. This makes it easier to install strong-current and weak-current systems.

An outstanding feature is that MODBOX[®] units can be easily connected next to each as modules without any modifications needing to be made to the basic installation. The MODBOX[®] is freely configurable. Four openings in the side of the MODBOX[®] allow modules to be added in any direction. Another new feature are the yellow connecting and end corners. To further improve safety, the luminous end corners (luminescence time up to 7 hours) are recommended.



Configure your own MODBOX[®] at www.bals.com



User-friendly OTC operating window on MODBOX[®]-Midi.



Continuous all-round seals provide IP67 protection level



Solid guide rails ensure an extremely high level of dimensional stability, especially at connection between upper and lower part of enclosure

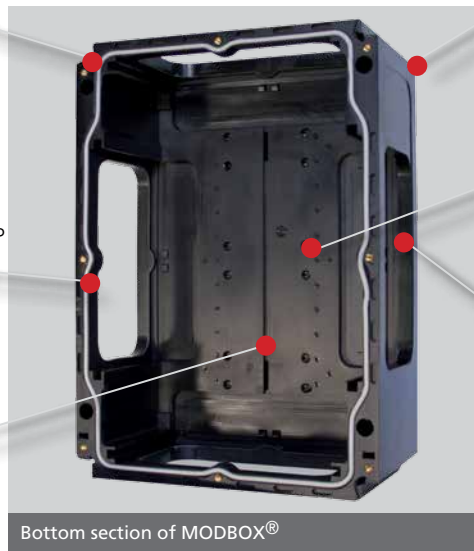
Corners (luminous on request) Standard end corners in yellow, interchangeable (2 or 4). They allow MODBOX[®] units to be connected together without problem.

Slot and recess

Slot with ring set sealed to achieve the high IP protection level. Wedge-shape rubber teeth for increased stability.

Recess in base

Recess provided for order separation if required (strong current and weak current).



Bottom section of MODBOX[®]

Drill holes

4 drill holes ensure a perfect permanent installation.

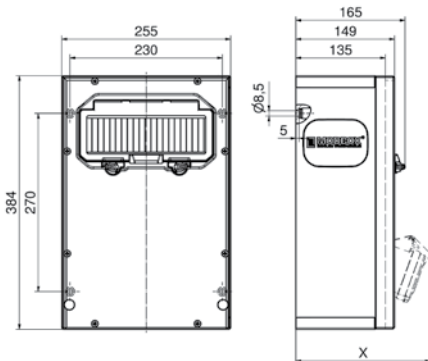
Cutouts

4 cutouts for attaching the wall mounting anchors.

Feedthrough openings

4 openings in the MODBOX[®] wall facilitate modular expansion of the installation in every direction. The slide-in connector was developed to ensure perfect connection. The frame, inserted if additional modules are added, ensures additional stability. In the standard configuration, the feedthrough openings are sealed off using blanking panels.

- Ready wired for installation
- Protection degree IP44
- All distributors on this page with domestic sockets, German earthing



depth x in (mm)				30 MB 218	
with	IP44	IP67	with	IP44	IP67
OTC operating window	165	165	CEE 16A 5p	197	195
schuko-type	152	195	CEE 32A 3p/4p	201	203
CEE 16A 3p	190	190	CEE 32A 5p	203	204
CEE 16A 4p	194	192	CEE 63A 3p/4p/5p	219	221

- Dimension of enclosure: 384 x 255 mm
- Enclosure made of high-quality, impact-resistant solid rubber
- User-friendly OTC operating window
- Modular extension
- Hardness grade of 99 shore
- Resistant to ageing, temperature, oil and acid
- Excellent resistance to chemicals
- Flame-resistant, self-extinguishing
- Top section straight, CEE sockets angled
- All CEE sockets with screwless, maintenance-free QUICK-CONNECT technology
- Black top and bottom section with yellow end corners
- Available in various RAL colours
- Accessories: see page 156

MODBOX[®]-Midi

 Order no. **5401882**
Components:

 3 Domestic sockets 16A, 230V ~
 (system F - German earthing System)

Protection:

 3 C-type MCBs 16A, 1p
 1 RCCB 40/0.03A, 4p

Cable entry at top and bottom:
 each with 2x M40

Connection option:
 for 2 cables up to 5 x 25 mm²
MODBOX[®]-Midi

 Order no. **5401884**
Components:

 6 Domestic sockets 16A, 230V ~
 (system F - German earthing System)

Protection:

 6 C-type MCBs 16A, 1p
 1 RCCB 40/0.03A, 4p

Cable entry at top and bottom:
 each with 2x M40

Connection option:
 for 2 cables up to 5 x 25 mm²
MODBOX[®]-Midi

 Order no. **5401886**
Components:

 2 Domestic sockets 16A, 230V ~
 (system F - German earthing System)
 1 CEE socket 16A, 400V, 5p

Protection:

 2 C-type MCBs 16A, 1p
 1 C-type MCB 16A, 3p
 1 RCCB 40/0.03A, 4p

Cable entry at top and bottom:
 each with 2x M40

Connection option:
 for 2 cables up to 5 x 25 mm²
MODBOX[®]-Midi

 Order no. **5401892**
Components:

 2 Domestic sockets 16A, 230V ~
 (system F - German earthing System)
 1 CEE socket 16A, 400V, 5p
 1 CEE socket 32A, 400V, 5p

Protection:

 2 C-type MCBs 16A, 1p
 1 C-type MCB 16A, 3p
 1 RCCB 40/0.03A, 4p

Cable entry at top and bottom:
 each with 2x M40

Connection option:
 for 2 cables up to 5 x 25 mm²
MODBOX[®]-Midi

 Order no. **5401894**
Components:

 3 Domestic sockets 16A, 230V ~
 (system F - German earthing System)
 2 CEE sockets 16A, 400V, 5p

Protection:

 3 C-type MCBs 16A, 1p
 2 C-type MCBs 16A, 3p

Cable entry at top and bottom:
 each with 2x M40

Connection option:
 for 2 cables up to 5 x 25 mm²
MODBOX[®]-Midi

 Order no. **5401905**
Components:

 3 Domestic sockets 16A, 230V ~
 (system F - German earthing System)
 1 CEE socket 16A, 400V, 5p
 1 CEE socket 32A, 400V, 5p

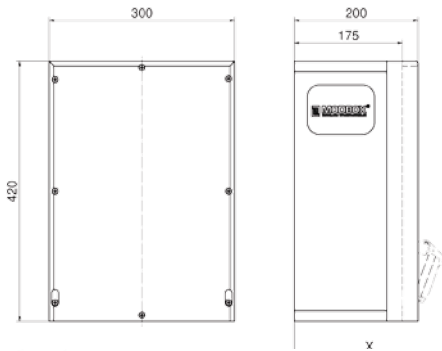
Protection:

 3 C-type MCBs 16A, 1p
 1 C-type MCB 16A, 3p
 1 C-type MCB 32A, 3p

Cable entry at top and bottom:
 each with 2x M40

Connection option:
 for 2 cables up to 5 x 25 mm²

- Ready wired for installation
- Protection degree IP44
- All distributors on this page with domestic sockets, German earthing



depth x in (mm)			13MB109		
with	IP44	IP67	with	IP44	IP67
schuko-type	192	235	CEE 32A 3p/4p	241	243
CEE 16A 3p	230	230	CEE 32A 5p	243	244
CEE 16A 4p	234	232	CEE 63A 3p/4p/5p	259	261
CEE 16A 5p	237	235			

- Dimension of enclosure: 420 x 300 mm
- Ready wired for installation
- Enclosure made of high-quality, impact-resistant solid rubber
- Modular extension
- Hardness grade of 99 shore
- Resistant to ageing, temperature, oil and acid
- Excellent resistance to chemicals
- Flame-resistant, self-extinguishing
- Top section straight, CEE sockets angled
- All CEE sockets with screwless, maintenance-free QUICK-CONNECT technology
- Black top and bottom section with yellow end corners
- Available in various RAL colours
- Accessories: see page 156



Order no. **5401455**

Components:

3 Domestic sockets 16A, 230V ~
 (system F - German earthing System)
 2 CEE sockets 16A, 400V, 5p

Protection:

3 C-type MCBs 16A, 1p
 2 C-type MCBs 16A, 3p
 1 RCCB 40/0.03A, 4p

Cable entry at top and bottom:
 each with 2x M40

Connection option:
 for 2 cables up to 5 x 25 mm²



Order no. **5401567**

Components:

3 Domestic sockets 16A, 230V ~
 (system F - German earthing System)
 2 CEE sockets 32A, 400V, 5p

Protection:

3 C-type MCBs 16A, 1p
 2 C-type MCBs 32A, 3p
 1 RCCB 63/0.03A, 4p

Cable entry at top and bottom:
 each with 2x M40

Connection option:
 for 2 cables up to 5 x 25 mm²



Order no. **5401343**

Components:

3 Domestic sockets 16A, 230V ~
 (system F - German earthing System)
 1 CEE socket 16A, 400V, 5p
 1 CEE socket 32A, 400V, 5p

Protection:

3 C-type MCBs 16A, 1p
 1 C-type MCB 16A, 3p
 1 C-type MCB 32A, 3p
 1 RCCB 40/0.03A, 4p

Cable entry at top and bottom:
 each with 2x M40

Connection option:
 for 2 cables up to 5 x 16 mm²



Order no. **5401668**

Components:

3 Domestic sockets 16A, 230V ~
 (system F - German earthing System)
 1 CEE socket 16A, 400V, 5p
 1 CEE socket 32A, 400V, 5p

Protection:

3 Neozed D01, 1p
 1 Neozed D01, 3p
 1 RCCB 40/0.03A, 4p

Cable entry at top and bottom:
 each with 2x M40

Connection option:
 for 2 cables up to 5 x 25 mm²



Order no. **5401662**

Components:

3 Domestic sockets 16A, 230V ~
 (system F - German earthing System)
 1 CEE socket 16A, 400V, 5p
 1 CEE socket 32A, 400V, 5p

Protection:

3 Neozed D01, 1p
 1 Neozed D01, 3p
 1 Neozed D02, 3p

Cable entry at top and bottom:
 each with 2x M40

Connection option:
 for 2 cables up to 5 x 25 mm²



Order no. **5402044**

Components:

2 Domestic sockets 16A, 230V ~
 (system F - German earthing System)
 2 CEE sockets 32A, 400V, 5p

Protection:

2 C-type MCBs 16A, 1p
 2 C-type MCBs 32A, 3p
 1 RCCB 63.03A, 4p

Cable entry at top and bottom:
 each with 2x M40

Connection option:
 for 2 cables up to 5 x 25 mm²



- Ready wired for installation
- Protection degree IP44
- All distributors on this page with domestic sockets, German earthing



Order no. **5401302**

Components:

- 2 Domestic sockets 16A, 230V ~ (system F - German earthing System)
- 1 CEE socket 16A, 400V, 5p
- 1 CEE socket 32A, 400V, 5p

Protection:

- 2 C-type MCBs 16A, 1p
- 1 C-type MCB 16A, 3p
- 1 C-type MCB 32A, 3p
- 1 RCCB 40/0.03A, 4p

Cable entry at top and bottom:
each with 2x M40

Connection option:

for 2 cables up to 5 x 25 mm²



Order no. **5402046**

Components:

- 3 Domestic sockets 16A, 230V ~ (system F - German earthing System)
- 1 CEE socket 16A, 230V, 3p
- 1 CEE socket 16A, 400V, 5p

Protection:

- 3 C-type MCBs 16A, 1p
- 1 C-type MCB 16A, 1p
- 1 C-type MCB 16A, 3p
- 1 RCCB 40/0.03A, 4p

Cable entry at top and bottom:
each with 2x M40

Connection option:

for 2 cables up to 5 x 25 mm²



Order no. **5401453**

Components:

- 4 Domestic sockets 16A, 230V ~ (system F - German earthing System)
- 1 CEE socket 16A, 400V, 5p
- 1 CEE socket 32A, 400V, 5p

Protection:

- 2 C-type MCBs 16A, 1p
- 1 C-type MCB 16A, 3p
- 1 C-type MCB 32A, 3p
- 1 RCCB 63/0.03A, 4p

Cable entry at top and bottom:
each with 2x M40

Connection option:

for 2 cables up to 5 x 25 mm²



Order no. **5401801**

Components:

- 4 Domestic sockets 16A, 230V ~ (system F - German earthing System)
- 1 CEE socket 16A, 400V, 5p
- 1 CEE socket 32A, 400V, 5p

Protection:

- 4 C-type MCBs 16A, 1p
- 1 C-type MCB 16A, 3p
- 1 C-type MCB 32A, 3p
- 1 RCCB 40/0.03A, 4p

Cable entry at top and bottom:
each with 2x M40

Connection option:

for 2 cables up to 5 x 25 mm²



Order no. **5402047**

Components:

- 4 Domestic sockets 16A, 230V ~ (system F - German earthing System)
- 1 CEE socket 16A, 400V, 5p
- 1 CEE socket 32A, 400V, 5p

Protection:

- 4 C-type MCBs 16A, 1p
- 1 C-type MCB 16A, 3p
- 1 C-type MCB 32A, 3p

Cable entry at top and bottom:
each with 2x M40

Connection option:

for 2 cables up to 5 x 25 mm²



Order no. **5401274**

Components:

- 2 Domestic sockets 16A, 230V ~ (system F - German earthing System)
- 1 CEE socket 16A, 400V, 5p
- 1 CEE socket 32A, 400V, 5p

Protection:

- 2 C-type MCBs 16A, 1p
- 1 C-type MCB 16A, 3p
- 1 C-type MCB 32A, 3p
- 1 RCCB 63/0.03A, 4p

Cable entry at top and bottom:
each with 2x M40

Connection option:

for 2 cables up to 5 x 25 mm²



Order no. **5402059**

Components:

- 2 Domestic sockets 16A, 230V ~ (system F - German earthing System)
- 1 CEE socket 16A, 400V, 5p
- 1 CEE socket 32A, 400V, 5p
- 1 double data socket RJ45 CAT6 IP55

Protection:

- 2 C-type MCBs 16A, 1p
- 1 C-type MCB 16A, 3p
- 1 C-type MCB 32A, 3p
- 1 RCCB 40/0.03A, 4p

Cable entry at top and bottom:
each with 2x M20, 2x M40

Connection option:

for 2 cables up to 5 x 25 mm²



Order no. **5402060**

Components:

- 3 Domestic sockets 16A, 230V ~ (system F - German earthing System)
- 1 CEE socket 16A, 400V, 5p
- 1 CEE socket 32A, 400V, 5p
- 1 double data socket RJ45 CAT6 IP55

Protection:

- 3 C-type MCBs 16A, 1p
- 1 C-type MCB 16A, 3p
- 1 C-type MCB 32A, 3p
- 1 RCCB 63/0.03A, 4p

Cable entry at top and bottom:
each with 2x M20, 2x M40

Connection option:

for 2 cables up to 5 x 16 mm²

- Ready wired for installation
- Protection degree IP44
- All distributors on this page with domestic sockets, German earthing



Order no. **5402159**

Components:
4 Domestic sockets 16A, 230V ~
(system F - German earthing System)

Protection:
4 C-type MCBs 16A, 1p
1 RCCB 40/0.03A, 4p

Cable entry at bottom:
1x M12, 2x M40

Connection option:
for 2 cables up to 5 x 25 mm²



Order no. **5402160**

Components:
3 Domestic sockets 16A, 230V ~
(system F - German earthing System)
1 CEE socket 16A, 400V, 5p

Protection:
3 C-type MCBs 16A, 1p
1 C-type MCB 16A, 3p
1 RCCB 40/0.03A, 4p

Cable entry at bottom:
1x M12, 2x M40

Connection option:
for 2 cables up to 5 x 25 mm²



Order no. **5402161**

Components:
2 Domestic sockets 16A, 230V ~
(system F - German earthing System)
2 CEE sockets 16A, 400V, 5p

Protection:
2 C-type MCBs 16A, 1p
2 C-type MCBs 16A, 3p
1 RCCB 40/0.03A, 4p

Cable entry at bottom:
1x M12, 2x M40

Connection option:
for 2 cables up to 5 x 25 mm²



Order no. **5402162**

Components:
2 Domestic sockets 16A, 230V ~
(system F - German earthing System)
1 CEE socket 16A, 400V, 5p
1 CEE socket 32A, 400V, 5p

Protection:
2 C-type MCBs 16A, 1p
1 C-type MCB 16A, 3p
1 C-type MCB 32A, 3p
1 RCCB 40/0.03A, 4p

Cable entry at bottom:
1x M12, 2x M40

Connection option:
for 2 cables up to 5 x 25 mm²



Order no. **5402163**

Components:
2 Domestic sockets 16A, 230V ~
(system F - German earthing System)
1 CEE socket 16A, 400V, 5p
1 CEE socket 32A, 400V, 5p

Protection:
2 C-type MCBs 16A, 1p
1 C-type MCB 16A, 3p
1 C-type MCB 32A, 3p
1 RCCB 63/0.03A, 4p

Cable entry at bottom:
1x M12, 2x M40

Connection option:
for 2 cables up to 5 x 25 mm²



Order no. **5402164**

Components:
2 Domestic sockets 16A, 230V ~
(system F - German earthing System)
2 CEE sockets 32A, 400V, 5p

Protection:
2 C-type MCBs 16A, 1p
2 C-type MCBs 32A, 3p
1 RCCB 63/0.03A, 4p

Cable entry at bottom:
1x M12, 2x M40

Connection option:
for 2 cables up to 5 x 25 mm²



Order no. **5402165**

Components:
3 Domestic sockets 16A, 230V ~
(system F - German earthing System)
1 CEE socket 16A, 400V, 5p
1 CEE socket 32A, 400V, 5p

Protection:
3 C-type MCBs 16A, 1p
1 C-type MCB 16A, 3p
1 C-type MCB 32A, 3p
1 RCCB 63/0.03A, 4p

Cable entry at bottom:
1x M12, 2x M40

Connection option:
for 2 cables up to 5 x 25 mm²



Order no. **5402166**

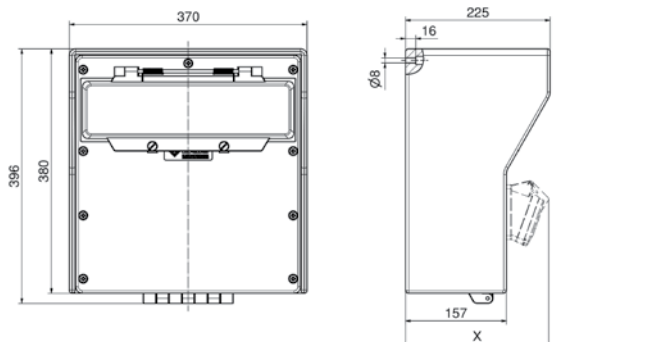
Components:
3 Domestic sockets 16A, 230V ~
(system F - German earthing System)
2 CEE sockets 16A, 400V, 5p

Protection:
3 C-type MCBs 16A, 1p
2 C-type MCBs 16A, 3p
1 RCCB 40/0.03A, 4p

Cable entry at bottom:
1x M12, 2x M40

Connection option:
for 2 cables up to 5 x 25 mm²

- Ready wired for installation
- Protection degree IP44
- All distributors on this page with domestic sockets, German earthing



depth x in (mm)		with	
	IP44	IP67	
OTC operating window	172	215	
schuko-type	210	210	
CEE 16A 3p	214	212	
CEE 16A 4p	217	215	

with		IP44	IP67
CEE 32A 3p/4p		221	223
CEE 32A 5p		223	224
CEE 63A 3p/4p/5p		239	241

13MB117

- Dimension of enclosure: 380 x 370 mm
- Enclosure made of high-quality, impact-resistant solid rubber
- Space for up to 18 modules under operating window
- Hardness grade of 97 shore
- Hinged lid
- Resistant to ageing, temperature, oil and acid
- Flame-resistant, self-extinguishing
- All CEE sockets with screwless, maintenance-free QUICK-CONNECT technology



Order no. **5402049**

Components:

- 4 Domestic sockets 16A, 230V ~ (system F - German earthing System)
- 2 CEE sockets 16A, 400V, 5p
- 1 CEE socket 32A, 400V, 5p

Protection:

- 4 C-type MCBs 16A, 1p
- 2 C-type MCBs 16A, 3p
- 1 C-type MCB 32A, 3p
- 1 RCCB 63/0.03A, 4p

Cable entry at top and bottom:
each with 2x M40

Connection option:
for 2 cables up to 5 x 25 mm²



Order no. **5402050**

Components:

- 4 Domestic sockets 16A, 230V ~ (system F - German earthing System)
- 2 CEE sockets 16A, 400V, 5p
- 1 CEE socket 32A, 400V, 5p

Protection:

- 4 C-type MCBs 16A, 1p
- 2 C-type MCBs 16A, 3p
- 1 C-type MCB 32A, 3p

Cable entry at top and bottom:
each with 2x M40

Connection option:
for 2 cables up to 5 x 25 mm²



Order no. **5402051**

Components:

- 2 Domestic sockets 16A, 230V ~ (system F - German earthing System)
- 1 CEE socket 16A, 400V, 5p
- 1 CEE socket 32A, 400V, 5p
- 1 CEE socket 63A, 400V, 5p

Protection:

- 2 C-type MCBs 16A, 1p
- 1 C-type MCB 16A, 3p
- 1 C-type MCB 32A, 3p
- 1 Neozed D02, 3p
- 1 RCCB 63/0.03A, 4p

Cable entry at top and bottom:
each with 2x M40

Connection option:
for 2 cables up to 5 x 25 mm²



Order no. **5402052**

Components:

- 4 Domestic sockets 16A, 230V ~ (system F - German earthing System)
- 1 CEE socket 16A, 400V, 5p
- 1 CEE socket 32A, 400V, 5p
- 1 CEE socket 63A, 400V, 5p

Protection:

- 4 C-type MCBs 16A, 1p
- 1 C-type MCB 16A, 3p
- 1 C-type MCB 32A, 3p
- 1 RCCB 63/0.03A, 4p

Cable entry at top and bottom:
each with 2x M40

Connection option:
for 2 cables up to 5 x 25 mm²



Order no. **5402053**

Components:

- 4 Domestic sockets 16A, 230V ~ (system F - German earthing System)
- 1 CEE socket 16A, 400V, 5p
- 1 CEE socket 32A, 400V, 5p
- 1 CEE socket 63A, 400V, 5p

Protection:

- 4 C-type MCBs 16A, 1p
- 1 C-type MCB 16A, 3p
- 1 C-type MCB 32A, 3p

Cable entry at top and bottom:
each with 2x M40

Connection option:
for 2 cables up to 5 x 25 mm²



Order no. **5402054**

Components:

- 2 Domestic sockets 16A, 230V ~ (system F - German earthing System)
- 1 CEE socket 16A, 400V, 5p
- 1 CEE socket 32A, 400V, 5p
- 1 CEE socket 63A, 400V, 5p

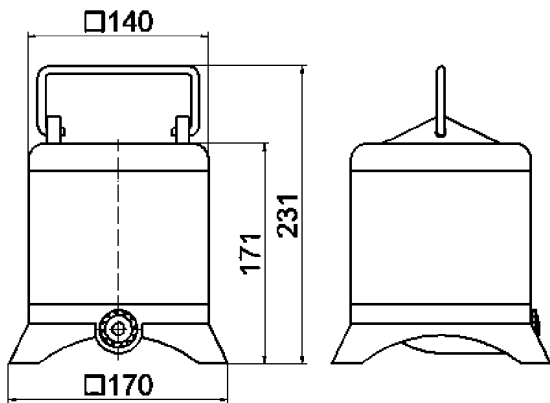
Protection:

- 2 Neozed D01, 1p
- 1 Neozed D01, 3p
- 2 Neozed D02, 3p

Cable entry at top and bottom:
each with 2x M50

Connection option:
for 2 cables up to 5 x 25 mm²

- Ready wired for installation
- Protection degree IP44
- All distributors on this page with domestic sockets, German earthing



13MB052

- Dimension of enclosure: 140 x 140 mm
- Enclosure made of high-quality, impact-resistant solid rubber
- Small, compact design
- Top and bottom in signal yellow
- Handle made of stainless steel

Order no. **57275****Components:**

2 Domestic sockets 16A, 230V ~
(system F - German earthing System)
1 CEE socket 16A, 400V, 5p

Protection:

1 RCCB 25/0.03A, 2p

Cable entry/Input:

CEE plug 16A, 400V, 5p with
lead 2 m H07RN-F5G1,5

Order no. **57148****Components:**

2 Domestic sockets 16A, 230V ~
(system F - German earthing System)
2 CEE sockets 16A, 400V, 5p

Cable entry/Input:

CEE plug 16A, 400V, 5p with
lead 2 m H07RN-F5G2,5

Order no. **57623****Components:**

4 Domestic sockets 16A, 230V ~
(system F - German earthing System)

Cable entry/Input:

Domestic plug 16A, 230V, 3p
4 m cable H07RN-F3G2,5

Order no. **57996****Components:**

2 Domestic sockets 16A, 230V ~
(system F - German earthing System)
1 CEE socket 16A, 400V, 5p
1 rotary field measuring device

Protection:

1 RCCB 40/0.03A, 4p

Cable entry/Input:

CEE phase inverter 16A, 400V, 5p with
lead 2 m H07RN-F5G2,5

Order no. **57255****Components:**

2 Domestic sockets 16A, 230V ~
(system F - German earthing System)
1 CEE socket 16A, 400V, 5p

Protection:

1 RCCB 40/0.03A, 4p

Cable entry/Input:

CEE plug 16A, 400V, 5p with
lead 2 m H07RN-F5G2,5

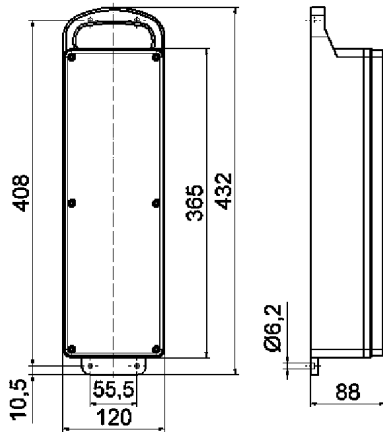
Order no. **57143****Components:**

3 Domestic sockets 16A, 230V ~
(system F - German earthing System)
1 CEE socket 16A, 400V, 5p

Cable entry/Input:

CEE plug 16A, 400V, 5p with
lead 2 m H07RN-F5G2,5

- Ready wired for installation
- Protection degree IP44
- All distributors on this page with domestic sockets, German earthing



13MB007

- Dimension of enclosure: 365 x 120 mm
- Enclosure made of high-quality, impact-resistant solid rubber
- Ideally suited to tough, harsh and difficult conditions
- Convenient and compact design
- With moulded carrying handle

Order no. **530179**

Components:
 1 Domestic socket 16A, 230V ~ (system F - German earthing System)
 1 CEE socket 16A, 400V, 5p
 1 CEE socket 32A, 400V, 5p

Protection:
 1 C-type MCB 16A, 1p
 1 C-type MCB 16A, 3p

Cable entry/Input::
 CEE plug 32A, 400V, 5p with lead 1.8 m H07RN-F5G4

Order no. **5310**

Components:
 3 CEE sockets 16A, 400V, 5p

Cable entry/Input::
 CEE plug 16A, 400V, 5p with lead 1.8 m H07RN-F5G2,5

Order no. **53141**

Components:
 4 Domestic sockets 16A, 230V ~ (system F - German earthing System)

Protection:
 1 RCCB 25/0.03A, 2p

Cable entry/Input::
 Domestic plug 16A, 230V, 3p with 2 m lead H07RN-F3G2,5

Order no. **53525**

Components:
 3 CEE sockets 32A, 400V, 5p

Cable entry/Input::
 CEE plug 32A, 400V, 5p with lead 2 m H07RN-F5G4

Order no. **53420**

Components:
 2 CEE sockets 16A, 400V, 5p

Protection:
 2 C-type MCBs 16A, 3p

Cable entry/Input::
 CEE plug 32A, 400V, 5p with lead 2 m H07RN-F5G6

Order no. **53290**

Components:
 4 Domestic sockets 16A, 230V ~ (system F - German earthing System)
 1 CEE socket 16A, 400V, 5p

Cable entry/Input::
 CEE plug 16A, 400V, 5p with lead 2 m H07RN-F5G2,5

- Ready wired for installation
- Protection degree IP44
- All distributors on this page with domestic sockets, German earthing



Order no. **530003**

Components:
2 Domestic sockets 16A, 230V ~
(system F - German earthing System)
1 CEE socket 16A, 400V, 5p

Protection:
2 C-type MCBs 16A, 1p
1 RCCB 40/0.03A, 4p

Cable entry/Input::
CEE plug 16A, 400V, 5p with
lead 2 m H07RN-F5G2,5



Order no. **530**

Components:
2 Domestic sockets 16A, 230V ~
(system F - German earthing System)
1 CEE socket 16A, 400V, 5p

Protection:
1 RCCB 40/0.03A, 4p

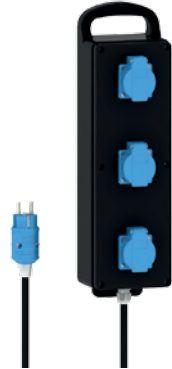
Cable entry/Input::
CEE plug 16A, 400V, 5p with
lead 1.8 m H07RN-F5G2,5



Order no. **5311**

Components:
2 Domestic sockets 16A, 230V ~
(system F - German earthing System)
1 CEE socket 16A, 400V, 5p

Cable entry/Input::
CEE plug 16A, 400V, 5p with
lead 1.8 m H07RN-F5G2,5



Order no. **5350**

Components:
3 Domestic sockets 16A, 230V ~
(system F - German earthing System)

Cable entry/Input::
Domestic plug 16A, 230V, 3p
with 2 m cable H07RN-F3G2,5



Order no. **53247**

Components:
6 Domestic sockets 16A, 230V ~
(system F - German earthing System)

Cable entry/Input::
CEE plug 16A, 400V, 5p with
lead 2 m H07RN-F5G2,5



Order no. **53213**

Components:
4 Domestic sockets 16A, 230V ~
(system F - German earthing System)

Protection:
1 RCCB 40/0.03A, 4p

Cable entry/Input::
CEE plug 16A, 400V, 5p with
lead 2 m H07RN-F5G2,5



Order no. **5321**

Components:
3 Domestic sockets 16A, 230V ~
(system F - German earthing System)

Protection:
1 RCCB 40/0.03A, 4p

Cable entry/Input::
CEE plug 16A, 400V, 5p with
lead 2 m H07RN-F5G2,5



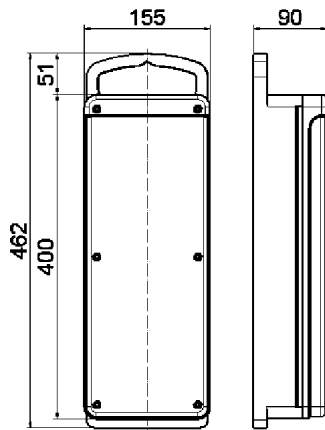
Order no. **530321**

Components:
3 CEE sockets 16A, 400V, 5p

Protection:
1 RCCB 40/0.03A, 4p

Cable entry/Input::
CEE plug 16A, 400V, 5p with
lead 2 m H07RN-F5G2,5

- Ready wired for installation
- Protection degree IP44
- All distributors on this page with domestic sockets, German earthing



13MB054

- Dimension of enclosure: 400 x 150 mm
- Enclosure made of high-quality, impact-resistant solid rubber
- Ideally suited to tough, harsh and difficult conditions
- Convenient and compact design
- With moulded carrying handle



Order no. **53909**

Components:
6 Domestic sockets 16A, 230V ~
(system F - German earthing System)

Protection:
3 C-type MCBs 16A, 1p
1 RCCB 40/0.03A, 4p

Cable entry/Input:
CEE plug 32A, 400V, 5p with
lead 2 m H07RN-F5G4



Order no. **53681**

Components:
6 Domestic sockets 16A, 230V ~
(system F - German earthing System)
1 CEE socket 16A, 400V, 5p

Protection:
1 RCCB 40/0.03A, 4p

Cable entry/Input:
CEE plug 16A, 400V, 5p with
lead 2 m H07RN-F5G2,5



Order no. **53679**

Components:
12 Domestic sockets 16A, 230V ~
(system F - German earthing System)

Cable entry/Input:
CEE plug 16A, 400V, 5p with
lead 2 m H07RN-F5G2,5



Order no. **530090**

Components:
6 Domestic sockets 16A, 230V ~
(system F - German earthing System)
1 CEE socket 32A, 400V, 5p

Protection:
3 C-type MCBs 16A, 1p
1 RCCB 40/0.03A, 4p

Cable entry/Input:
CEE plug 32A, 400V, 5p with
lead 2 m H07RN-F5G4



Order no. **530425**

Components:
6 Domestic sockets 16A, 230V ~
(system F - German earthing System)
1 CEE socket 16A, 400V, 5p

Protection:
3 C-type MCBs 16A, 1p
1 RCCB 40/0.03A, 4p

Cable entry/Input:
CEE plug 16A, 400V, 5p with
lead 2 m H07RN-F5G2,5



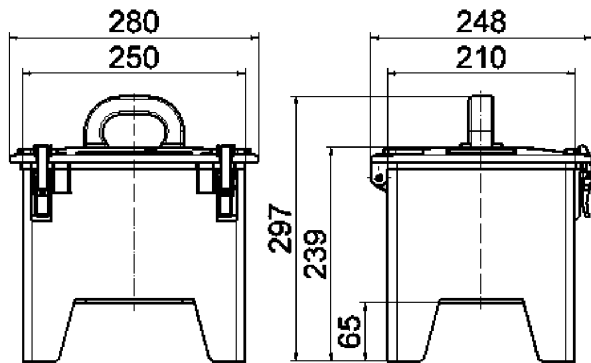
Order no. **530426**

Components:
2 Domestic sockets 16A, 230V ~
(system F - German earthing System)
1 CEE socket 16A, 400V, 5p
1 CEE socket 32A, 400V, 5p

Protection:
2 C-type MCBs 16A, 1p
1 C-type MCB 16A, 3p

Cable entry/Input:
CEE plug 32A, 400V, 5p with
lead 2 m H07RN-F5G4

- Ready wired for installation
- Protection degree IP44
- All distributors on this page with domestic sockets, German earthing



13MB043

- Dimension of enclosure: 250 x 210 mm
- Enclosure made of high-quality, impact-resistant solid rubber
- Ideally suited to tough, harsh and difficult conditions
- Robust solid-rubber handle with hook for cable
- Lockable stainless-steel quick-release fasteners
- Hinged lid, user-friendly access to protective equipment
- Stackable, foot attachment on enclosure cover
- High rubber feet to avoid dirt at floor level



Order no. **5226**

Components:
 4 Domestic sockets 16A, 230V ~
 (system F - German earthing System)
 2 CEE sockets 16A, 400V, 5p
 1 CEE socket 32A, 400V, 5p

Protection:
 2 Neozed D01, 1p
 2 Neozed D01, 3p

Cable entry/Input:
 CEE inlet 32A, 400V, 5p



Order no. **522590**

Components:
 6 Domestic sockets 16A, 230V ~
 (system F - German earthing System)
 2 CEE sockets 16A, 400V, 5p
 1 CEE socket 32A, 400V, 5p
 1 rotary field measuring device

Protection:
 3 C-type MCBs 16A, 1p
 1 C-type MCB 16A, 3p
 1 RCCB 40/0.03A, 4p

Cable entry/Input:
 CEE phase inverter 32A, 400V, 5p



Order no. **5201558**

Components:
 3 Domestic sockets 16A, 230V ~
 (system F - German earthing System)
 2 CEE sockets 16A, 400V, 5p
 1 CEE socket 32A, 400V, 5p

Protection:
 3 C-type MCBs 16A, 1p
 1 C-type MCB 16A, 3p
 1 RCCB 40/0.03A, 4p

Cable entry/Input:
 CEE inlet 32A, 400V, 5p



Order no. **5201047**

Components:
 4 Domestic sockets 16A, 230V ~
 (system F - German earthing System)
 2 CEE sockets 16A, 400V, 5p
 1 CEE socket 32A, 400V, 5p

Protection:
 4 C-type MCBs 16A, 1p
 2 C-type MCBs 16A, 3p
 1 RCCB 40/0.03A, 4p

Cable entry/Input:
 CEE inlet 32A, 400V, 5p



Order no. **522144**

Components:
 2 Domestic sockets 16A, 230V ~
 (system F - German earthing System)
 2 CEE sockets 16A, 400V, 5p
 2 CEE sockets 32A, 400V, 5p

Protection:
 1 Neozed D01, 1p
 1 Neozed D01, 3p

Cable entry/Input:
 CEE inlet 32A, 400V, 5p



Order no. **5201015**

Components:
 4 Domestic sockets 16A, 230V ~
 (system F - German earthing System)
 1 CEE socket 16A, 400V, 5p
 1 CEE socket 32A, 400V, 5p

Protection:
 2 C-type MCBs 16A, 1p
 1 C-type MCB 16A, 3p
 1 RCCB 40/0.03A, 4p

Cable entry/Input:
 CEE plug 32A, 400V, 5p with
 lead 2 m H07RN-F5G4

- Ready wired for installation
- Protection degree IP44
- All distributors on this page with domestic sockets, German earthing



Order no. **5201926**

Components:
 4 Domestic sockets 16A, 230V ~
 (system F - German earthing System)
 1 CEE socket 16A, 400V, 5p
 2 CEE sockets 32A, 400V, 5p

Protection:
 2 C-type MCBs 16A, 1p
 1 C-type MCB 16A, 3p
 1 RCCB 40/0.03A, 4p

Cable entry/Input:
 CEE plug 32A, 400V, 5p with
 3 m cable H07RN-F5G6



Order no. **5202236**

Components:
 3 Domestic sockets 16A, 230V ~
 (system F - German earthing System)
 2 CEE sockets 16A, 400V, 5p
 2 CEE sockets 32A, 400V, 5p

Protection:
 3 C-type MCBs 16A, 1p
 2 C-type MCBs 16A, 3p
 1 RCCB 40/0.03A, 4p

Cable entry/Input:
 CEE inlet 32A, 400V, 5p



Order no. **5200568**

Components:
 3 Domestic sockets 16A, 230V ~
 (system F - German earthing System)
 3 CEE sockets 32A, 400V, 5p

Protection:
 3 C-type MCBs 16A, 1p
 1 RCCB 40/0.03A, 4p

Cable entry/Input:
 CEE inlet 32A, 400V, 5p



Order no. **524449**

Components:
 4 Domestic sockets 16A, 230V ~
 (system F - German earthing System)
 2 CEE sockets 32A, 400V, 5p

Protection:
 4 C-type MCBs 16A, 1p

Cable entry/Input:
 CEE inlet 32A, 400V, 5p



Order no. **5225**

Components:
 4 Domestic sockets 16A, 230V ~
 (system F - German earthing System)
 2 CEE sockets 16A, 400V, 5p

Cable entry/Input:
 CEE inlet 16A, 400V, 5p



Order no. **5201004**

Components:
 3 Domestic sockets 16A, 230V ~
 (system F - German earthing System)
 1 CEE socket 16A, 400V, 5p
 2 CEE sockets 32A, 400V, 5p

Protection:
 3 C-type MCBs 16A, 1p
 1 C-type MCB 16A, 3p
 1 RCCB 40/0.03A, 4p

Cable entry/Input:
 CEE inlet 32A, 400V, 5p



Order no. **5200917**

Components:
 4 Domestic sockets 16A, 230V ~
 (system F - German earthing System)
 1 CEE socket 16A, 400V, 5p
 1 CEE socket 32A, 400V, 5p

Protection:
 2 C-type MCBs 16A, 1p
 1 C-type MCB 16A, 3p
 1 RCCB 40/0.03A, 4p

Cable entry/Input:
 CEE inlet 32A, 400V, 5p



Order no. **5202237**

Components:
 3 Domestic sockets 16A, 230V ~
 (system F - German earthing System)
 2 CEE sockets 16A, 400V, 5p
 1 CEE socket 32A, 400V, 5p

Protection:
 3 C-type MCBs 16A, 1p
 1 C-type MCB 16A, 3p
 1 RCCB 40/0.03A, 4p

Cable entry/Input:
 CEE plug 32A, 400V, 5p with
 lead 3 m H07RN-F5G4



- Ready wired for installation
- Protection degree IP44
- All distributors on this page with domestic sockets, German earthing



Order no. **526**

Components:
5 Domestic sockets 16A, 230V ~
(system F - German earthing System)
2 CEE sockets 16A, 400V, 5p

Cable entry/Input::
CEE inlet 16A, 400V, 5p



Order no. **5202238**

Components:
4 Domestic sockets 16A, 230V ~
(system F - German earthing System)
1 CEE socket 16A, 400V, 5p
2 CEE sockets 32A, 400V, 5p

Protection:
4 C-type MCBs 16A, 1p
1 C-type MCB 16A, 3p
1 RCCB 40/0.03A, 4p

Cable entry/Input::
CEE inlet 32A, 400V, 5p



Order no. **522143**

Components:
3 Domestic sockets 16A, 230V ~
(system F - German earthing System)
2 CEE sockets 16A, 400V, 5p
1 CEE socket 32A, 400V, 5p

Protection:
3 Neozed D01, 1p
1 Neozed D01, 3p
1 RCCB 40/0.03A, 4p

Cable entry/Input::
CEE inlet 32A, 400V, 5p



Order no. **52638**

Components:
4 Domestic sockets 16A, 230V ~
(system F - German earthing System)
2 CEE sockets 16A, 400V, 5p

Protection:
1 RCCB 40/0.03A, 4p

Cable entry/Input::
CEE plug 16A, 400V, 5p with
lead 2 m H07RN-F5G2,5



Order no. **5201555**

Components:
3 Domestic sockets 16A, 230V ~
(system F - German earthing System)
1 CEE socket 16A, 400V, 5p
1 CEE socket 32A, 400V, 5p

Protection:
3 C-type MCBs 16A, 1p
1 C-type MCB 16A, 3p
1 RCCB 40/0.03A, 4p

Cable entry/Input::
CEE inlet 32A, 400V, 5p



Order no. **52480**

Components:
4 Domestic sockets 16A, 230V ~
(system F - German earthing System)
2 CEE sockets 16A, 400V, 5p

Protection:
1 RCCB 40/0.03A, 4p

Cable entry/Input::
CEE inlet 16A, 400V, 5p



Order no. **522589**

Components:
6 Domestic sockets 16A, 230V ~
(system F - German earthing System)
2 CEE sockets 16A, 400V, 5p
1 rotary field measuring device

Protection:
3 C-type MCBs 16A, 1p
1 RCCB 40/0.03A, 4p

Cable entry/Input::
CEE phase inverter 16A, 400V, 5p



Order no. **523291**

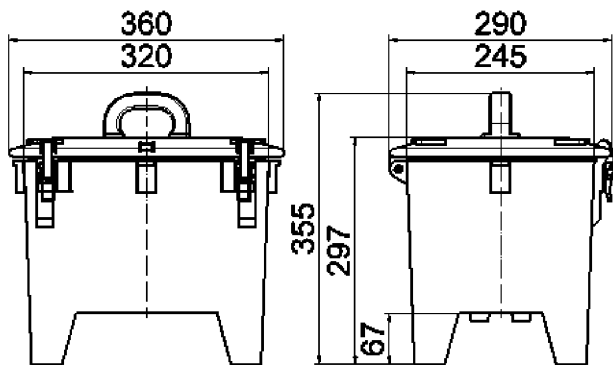
Components:
6 Domestic sockets 16A, 230V ~
(system F - German earthing System)

Protection:
6 C-type MCBs 16A, 1p
1 RCCB 40/0.03A, 4p

Cable entry/Input::
CEE plug 32A, 400V, 5p with
lead 3 m H07RN-F5G4



- Ready wired for installation
- Protection degree IP44
- All distributors on this page with domestic sockets, German earthing



13MB036

- Dimension of enclosure: 320 x 245 mm
- Enclosure made of high-quality, impact-resistant solid rubber
- Ideally suited to tough, harsh and difficult conditions
- Robust solid-rubber handle with hook for cable
- Lockable stainless-steel quick-release fasteners
- Hinged lid, user-friendly access to protective equipment
- Stackable, foot attachment on enclosure cover
- High rubber feet to avoid dirt at floor level



Order no. **5202239**

Components:
 4 Domestic sockets 16A, 230V ~ (system F - German earthing System)
 2 CEE sockets 16A, 400V, 5p
 2 CEE sockets 32A, 400V, 5p

Protection:
 4 C-type MCBs 16A, 1p
 2 C-type MCBs 16A, 3p
 2 C-type MCBs 32A, 3p
 1 RCCB 63/0.03A, 4p

Cable entry/Input::
 CEE plug 63A, 400V, 5p with lead 2 m H07RN-F5G10



Order no. **5202240**

Components:
 4 Domestic sockets 16A, 230V ~ (system F - German earthing System)
 1 CEE socket 16A, 400V, 5p
 1 CEE socket 32A, 400V, 5p
 1 CEE socket 63A, 400V, 5p

Protection:
 2 C-type MCBs 16A, 1p
 1 C-type MCB 16A, 3p
 1 C-type MCB 32A, 3p
 1 RCCB 63/0.03A, 4p

Cable entry/Input::
 CEE plug 63A, 400V, 5p with lead 3 m H07RN-F5G10



Order no. **524443**

Components:
 4 Domestic sockets 16A, 230V ~ (system F - German earthing System)
 3 CEE sockets 16A, 400V, 5p
 1 CEE socket 32A, 400V, 5p

Protection:
 2 Neozed D01, 1p
 3 Neozed D01, 3p

Cable entry/Input::
 CEE plug 32A, 400V, 5p with lead 3 m H07RN-F5G4



Order no. **522167**

Components:
 4 Domestic sockets 16A, 230V ~ (system F - German earthing System)
 3 CEE sockets 16A, 400V, 5p
 1 CEE socket 32A, 400V, 5p

Protection:
 2 Neozed D01, 1p
 3 Neozed D01, 3p

Cable entry/Input::
 CEE inlet 32A, 400V, 5p



Order no. **521828**

Components:
 4 Domestic sockets 16A, 230V ~ (system F - German earthing System)
 4 CEE sockets 32A, 400V, 5p

Protection:
 4 Neozed D01, 1p
 1 RCCB 40/0.03A, 4p

Cable entry/Input::
 CEE inlet 32A, 400V, 5p



Order no. **5202241**

Components:
 4 Domestic sockets 16A, 230V ~ (system F - German earthing System)
 1 CEE socket 16A, 400V, 5p
 1 CEE socket 32A, 400V, 5p
 1 CEE socket 63A, 400V, 5p

Protection:
 2 C-type MCBs 16A, 1p
 1 C-type MCB 16A, 3p
 1 C-type MCB 32A, 3p
 1 RCCB 63/0.03A, 4p

Cable entry/Input::
 CEE inlet 63A, 400V, 5p

- Ready wired for installation
- Protection degree IP44
- All distributors on this page with domestic sockets, German earthing



Order no. 524446

Components:
 4 Domestic sockets 16A, 230V ~
 (system F - German earthing System)
 1 CEE socket 16A, 400V, 5p
 1 CEE socket 32A, 400V, 5p
 1 CEE socket 63A, 400V, 5p

Protection:
 2 Neozed D01, 1p
 1 Neozed D01, 3p
 1 Neozed D02, 3p
 1 RCCB 63/0.03A, 4p

Cable entry/Input::
 CEE plug 63A, 400V, 5p with
 lead 3 m H07RN-F5G10



Order no. 5202242

Components:
 6 Domestic sockets 16A, 230V ~
 (system F - German earthing System)
 1 CEE socket 16A, 400V, 5p
 1 CEE socket 32A, 400V, 5p
 1 CEE socket 63A, 400V, 5p

Protection:
 6 C-type MCBs 16A, 1p
 1 C-type MCB 16A, 3p
 1 C-type MCB 32A, 3p
 1 RCCB 63/0.03A, 4p

Cable entry/Input::
 CEE plug 63A, 400V, 5p with
 lead 2 m H07RN-F5G16



Order no. 5202469

Components:
 6 Domestic sockets 16A, 230V ~
 (system F - German earthing System)
 1 CEE socket 16A, 400V, 5p
 1 CEE socket 32A, 400V, 5p
 1 CEE socket 63A, 400V, 5p

Protection:
 6 C-type MCBs 16A, 1p
 1 C-type MCB 16A, 3p
 1 C-type MCB 32A, 3p
 1 RCCB 63/0.03A, 4p

Cable entry/Input::
 CEE inlet 63A, 400V, 5p



Order no. 5202243

Components:
 8 Domestic sockets 16A, 230V ~
 (system F - German earthing System)
 1 CEE socket 16A, 400V, 5p
 1 CEE socket 32A, 400V, 5p

Protection:
 4 C-type MCBs 16A, 1p
 1 C-type MCB 16A, 3p
 1 RCCB 40/0.03A, 4p

Cable entry/Input::
 CEE plug 32A, 400V, 5p with
 lead 3 m H07RN-F5G4



Order no. 5202244

Components:
 8 Domestic sockets 16A, 230V ~
 (system F - German earthing System)
 1 CEE socket 16A, 400V, 5p
 1 CEE socket 32A, 400V, 5p

Protection:
 4 C-type MCBs 16A, 1p
 1 C-type MCB 16A, 3p
 1 RCCB 40/0.03A, 4p

Cable entry/Input::
 CEE inlet 32A, 400V, 5p



Order no. 5201003

Components:
 3 Domestic sockets 16A, 230V ~
 (system F - German earthing System)
 1 CEE socket 16A, 400V, 5p
 2 CEE sockets 32A, 400V, 5p
 1 CEE socket 63A, 400V, 5p

Protection:
 3 C-type MCBs 16A, 1p
 1 C-type MCB 16A, 3p
 2 C-type MCBs 32A, 3p
 1 RCCB 63/0.03A, 4p

Cable entry/Input::
 CEE inlet 63A, 400V, 5p




Order no. 5202245

Components:
 4 Domestic sockets 16A, 230V ~
 (system F - German earthing System)
 2 CEE sockets 16A, 400V, 5p
 2 CEE sockets 32A, 400V, 5p

Protection:
 2 C-type MCBs 16A, 1p
 2 C-type MCBs 16A, 3p
 2 C-type MCBs 32A, 3p
 1 RCCB 63/0.03A, 4p

Cable entry/Input::
 CEE plug 63A, 400V, 5p with
 lead 3 m H07RN-F5G10



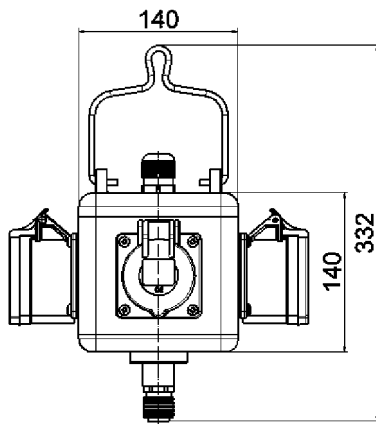
Order no. 5202470

Components:
 4 Domestic sockets 16A, 230V ~
 (system F - German earthing System)
 2 CEE sockets 16A, 400V, 5p
 2 CEE sockets 32A, 400V, 5p

Protection:
 2 C-type MCBs 16A, 1p
 2 C-type MCBs 16A, 3p
 2 C-type MCBs 32A, 3p
 1 RCCB 63/0.03A, 4p

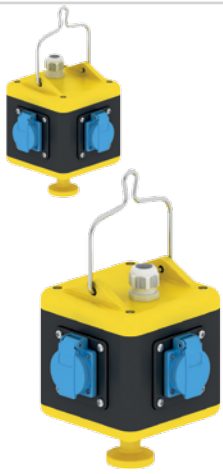
Cable entry/Input::
 CEE inlet 63A, 400V, 5p

- Ready wired for installation
- Protection degree IP44
- All distributors on this page with domestic sockets, German earthing



13MB045

- Dimension of enclosure: 140 x 140 mm
- Enclosure made of high-quality, impact-resistant solid rubber
- Small, compact design
- Variable configuration
- Fuse protection and data systems safely protected behind an operating window
- Top and bottom in signal yellow
- Hanging bracket made of V2A stainless steel
- Easy connection and disconnection of loads by means of knob or grip hook
- Unproblematic connection of supply cable by means of specially developed clamping ring

Order no. **57092****Components:**

4 Domestic sockets 16A, 230V ~
(system F - German earthing System)

Cable entry:

1x M25

Connection option:for 1 cable up to 5 x 10 mm²Order no. **57076****Components:**

3 Domestic sockets 16A, 230V ~
(system F - German earthing System)
1 CEE socket 16A, 400V, 5p

Cable entry:

1x M25

Connection option:for 1 cable up to 5 x 10 mm²Order no. **57078****Components:**

2 Domestic sockets 16A, 230V ~
(system F - German earthing System)
2 CEE sockets 16A, 400V, 5p

Cable entry:

1x M25

Connection option:for 1 cable up to 5 x 10 mm²Order no. **57117****Components:**

2 Domestic sockets 16A, 230V ~
(system F - German earthing System)
2 CEE sockets 16A, 400V, 5p
1 compressed air connection:
(Input: 1/2" pipe with external thread;
Output: 1/2" quick-release connector)

Cable entry:

1x M25

Connection option:for 1 cable up to 5 x 10 mm²Order no. **57116****Components:**

3 Domestic sockets 16A, 230V ~
(system F - German earthing System)
1 CEE socket 16A, 400V, 5p
1 compressed air connection:
(Input: 1/2" pipe with external thread;
Output: 1/2" quick-release connector)

Cable entry:

1x M25

Connection option:for 1 cable up to 5 x 10 mm²Order no. **57119****Components:**

4 Domestic sockets 16A, 230V ~
(system F - German earthing System)
1 compressed air connection
(Input: 1/2" pipe with external thread;
Output: 1/2" quick-release connector)

Cable entry:

1x M25

Connection option:for 1 cable up to 5 x 10 mm²

- Ready wired for installation
- Protection degree IP44
- All distributors on this page with domestic sockets, German earthing



Order no. **571121**

Components:
 3 Domestic sockets 16A, 230V ~
 (system F - German earthing System)
 1 CEE socket 16A, 400V, 5p
 1 compressed air connection
 (Input: 1/2" hose connector NW 13 mm
 Output: 1/2" two-way quick-release connector)

Cable entry:
 2x M25 (2 circuits)

Connection option:
 for 2 cables up to 5 x 10 mm²



Order no. **573395**

Components:
 3 Domestic sockets 16A, 230V ~
 (system F - German earthing System)
 4 data sockets RJ45/ Cat. 6

Cable entry:
 1x M25, 1x M32

Connection option:
 for 1 cable up to 5 x 10 mm²



Order no. **57829**

Components:
 2 Domestic sockets 16A, 230V ~
 (system F - German earthing System)
 1 CEE socket 16A, 400V, 5p

Protection:
 1 RCCB 40/0.03A, 4p

Cable entry:
 1x M25

Connection option:
 for 1 cable up to 5 x 10 mm²



Order no. **57250**

Components:
 2 Domestic sockets 16A, 230V ~
 (system F - German earthing System)
 1 CEE socket 16A, 400V, 5p
 1 CEE socket 32A, 400V, 5p

Cable entry:
 1x M25, 1x M32 (2 circuits)

Connection option:
 for 2 cables up to 5 x 10 mm²



Order no. **57986**

Components:
 4 Domestic sockets 16A, 230V ~
 (system F - German earthing System)
 2 CEE sockets 16A, 400V, 5p

Cable entry:
 1x M25

Connection option:
 for 1 cable up to 5 x 10 mm²



Order no. **57074**

Components:
 4 CEE sockets 16A, 400V, 5p

Cable entry:
 1x M25

Connection option:
 for 1 cable up to 5 x 10 mm²



Order no. **571276**

Components:
 3 Domestic sockets 16A, 230V ~
 (system F - German earthing System)

Protection:
 1 RCCB 40/0.03A, 4p

Cable entry:
 1x M25

Connection option:
 for 1 cable up to 5 x 10 mm²



Order no. **570531**

Components:
 2 Domestic sockets 16A, 230V ~
 (system F - German earthing System)
 1 CEE socket 16A, 400V, 5p
 1 empty space for data sockets

Cable entry:
 2x M25

Connection option:
 for 1 cable up to 5 x 10 mm²

- Ready wired for installation
- Protection degree IP44
- All distributors on this page with domestic sockets, German earthing



Order no. **573143**

Components:

3 Domestic sockets 16A, 230V ~
(system F - German earthing System)
2 data sockets RJ45/ Cat. 6

Cable entry:
2x M25

Connection option:
for 1 cable up to 5 x 10 mm²



Order no. **572231**

Components:

2 Domestic sockets 16A, 230V ~
(system F - German earthing System)
2 CEE sockets 16A, 400V, 5p

Protection:
1 RCCB 40/0.03A, 4p

Cable entry:
1x M25

Connection option:
for 1 cable up to 5 x 10 mm²



Order no. **57963**

Components:

3 Domestic sockets 16A, 230V ~
(system F - German earthing System)

Protection:
1 RCCB 25/0.03A, 2p

Cable entry:
1x M25

Connection option:
for 1 cable up to 3 x 10 mm²



Order no. **570451**

Components:

4 Domestic sockets 16A, 230V ~
(system F - German earthing System)

Protection:
1 RCCB 40/0.03A, 4p

Cable entry:
1x M20

Connection option:
for 1 cable up to 5 x 10 mm²



Order no. **57711**

Components:

2 Domestic sockets 16A, 230V ~
(system F - German earthing System)
1 CEE socket 16A, 400V, 5p
1 CEE socket 32A, 400V, 5p
1 compressed air connection:
(Input: 1/2" pipe with external thread;
Output: 1/2" quick-release connector)

Cable entry:
1x M25, 1x M32 (2 circuits)

Connection option:
for 2 cables up to 5 x 10 mm²



Order no. **573151**

Components:

6 Domestic sockets 16A, 230V ~
(system F - German earthing System)
2 data sockets RJ45/ Cat. 6

Cable entry:
2x M25

Connection option:
for 1 cable up to 5 x 10 mm²



Order no. **57360**

Components:

3 Domestic sockets 16A, 230V ~
(system F - German earthing System)
1 empty space for data sockets

Cable entry:
2x M25

Connection option:
for 1 cable up to 5 x 10 mm²



Order no. **571370**

Components:

2 Domestic sockets 16A, 230V ~
(system F - German earthing System)
with child protection
2 laboratory sockets yellow/green, earth
potential
Laboratory sockets 2x blue and 2x red
DC extra-low voltage
2 laboratory sockets yellow, AC
extra-low voltage

Cable entry:
4x M20

Connection option:
for 1 cable up to 3 x 10 mm²

Cable Gland



- Black
- Protection degree IP67

	Thread	Sealing range	Order no.
	M12	3-6 mm	580647
	M20	8-13 mm	580648
	M25	11-17 mm	580649
	M32	15-21 mm	580650
	M40	19-28 mm	580651
Multiple sealing insert	for M25	2x8 mm	580652
	for M32	4x8 mm	580653

Cable Gland with Pressure Equalization

The use of pressure equalization cable glands allows the internal pressure to adjust to the ambient pressure. The type-tested protection degree of the enclosure is fully retained. Temperature fluctuations, intense sunlight, or a sudden change in weather can cause condensation to form in combination enclosures. Basically, condensation can form in all sealed solid-rubber distributors. The higher the protection degree is, the more likely the formation of condensation will be.

We therefore recommend, especially in the case of distributors with protection degree IP67, the use of pressure equalization cable glands.



- Minimised condensation formation and therefore reduction in downtimes and time-consuming and expensive repair work
- No expensive and high-maintenance ventilation technology required
- No drip holes which reduce the level of protection
- With air ducts for pressure equalization
- black
- Protection degree IP67

	Thread	Sealing range	Order no.
	M20	6-13 mm	580656
	M25	9-17 mm	580657
	M32	13-21 mm	580658
	M40	16-28 mm	580659

Mounting Set



- For MODBOX and MODBOX-Midi
- Consisting of:
4 screws 6 x 60 mm
4 screw dowels 8 x 51 mm

Order no. **580640**

Portable Stand



- For MODBOX and MODBOXMidi
- Hot-dip galvanised steel tubing
- Folding
- Weight 4 kg
- Dimensions: 350/570 x 780 x 540 mm (W x H x D)

Order no. **580721**

Lock set



- For MODBOX operating window
- With locking cylinder and 2 keys

Order no. **58037-BE**



- For MODBOX-Midi OTC window
- With long shackle and 2 keys

Order no. **580642**

Power-Port Free-Standing Distributor without door



- Only for MODBOX-Midi
- Enclosure dimensions 1300 x 350 x 275 mm (H x W x D)
- Enclosure made of high-quality V2A stainless steel
- Ground metal surface
- Moveable panel for concealing cables
- Base plate suitable for pedestal mounting
- Available in different colours (optional)

Order no. **580589**

Power-Port Free-Standing Distributor with door



- Only for MODBOX-Midi
- Enclosure dimensions 1300 x 350 x 415 mm (H x W x D)
- Enclosure made of high-quality V2A stainless steel
- Ground metal surface
- Moveable panel for concealing cables
- Base plate suitable for pedestal mounting
- Door with box lock and single profile cylinder, internal hinges
- Brush seal prevents dirt and dust from entering when door is closed
- Outgoing cables can be guided out through brush-sealed opening on front side
- Available in different colours (optional)

Order no. **580508**





Plugs and Sockets, 7-pole

**Surface Mounting Socket Outlets,
7-pole**



Pages 162 - 164

**Panel Mounting Socket Outlets,
7-pole**



Pages 162, 163

**Plugs/ Inlets,
7-pole**



Pages 162 - 164

**Connectors,
7-pole**



Pages 162, 163

Plugs and Sockets, Special 1h Earth Position

**Surface Mounting Socket Outlets,
Special 1h Earth Position**



Page 165

**Panel Mounting Socket Outlets,
Special 1h Earth Position**



Page 165

**Plugs/ Inlets,
Special 1h Earth Position**



Page 166

**Connectors,
Special 1h Earth Position**



Page 166

Plugs and Sockets, Extra-Low Voltage

**Surface Mounting Socket Outlets,
Extra-Low Voltage**



Page 167

**Panel Mounting Socket Outlets,
Extra-Low Voltage**



Pages 167, 168

**Plugs/ Inlets,
Extra-Low Voltage**



Pages 169

**Connectors,
Extra-Low Voltage**



Page 169

Plugs and Sockets, DC

**Surface Mounting Socket Outlets,
DC**



Pages 170, 171

**Panel Mounting Socket Outlets,
DC**



Page 170

**Plugs,
DC**



Pages 170, 171

**Connectors,
DC**



Page 171

Plugs and Sockets, Special Earth Clock Position 5h

**Surface Mounting Socket Outlets,
5h**



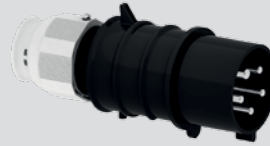
Page 172, 173

**Panel Mounting Socket Outlets,
5h**



Page 172

**Plugs/Inlets,
5h**



Page 173

**Connectors,
5h**



Page 173

High-Current Plugs and Sockets Above 125A

**Surface Mounting Socket Outlets
Above 125A**



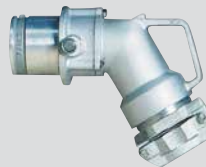
Page 174

**Panel Mounting Socket Outlets,
Above 125A**



Page 174

**Plugs
Above 125A**



Page 174

7-POLE PLUGS AND SOCKETS

- For plugs and sockets: polarity switchover circuits/ star-delta circuit
- Protection degree IP44

Surface Mounting Socket Outlet TE

- Screw terminals
- High-temperature-resistant contact carrier
- Nickel plated contacts
- Cable entry 1x at top (open), 2x at bottom (closed)
- Base rotatable by 180°
- 4 mounting holes in enclosure base
- Protection degree IP44

Dimension drawing: see page 28/3 (1 MB 2 under 5-pole)



Fig.: Type 11481

Ampere	6P+E Poles	230V 50-60 Hz	400V 50-60 Hz	Qty	g each
		7pol 9h	7pol 6h		
16	7	11480	11481	10	375
32	7	11482	11483	10	455

Panel Mounting Socket Outlet TE

- Screw terminals
- High-temperature-resistant contact carrier
- Nickel plated contacts
- Flange 75 x 75 mm
- Protection degree IP44

Dimension drawing: see page 244/3 (4 MB 4 under 5-pole)



Fig.: Type 13329

Ampere	6P+E Poles	230V 50-60 Hz	400V 50-60 Hz	Qty	g each
		7pol 9h	7pol 6h		
16	7	13326	13327	10	195
32	7	13328	13329	10	270

Panel Mounting Socket Outlet TE

- Screw terminals
- 20° angled
- High-temperature-resistant contact carrier
- Nickel plated contacts
- Flange 100 x 92 mm
- Protection degree IP44



Fig.: Type 12393

Ampere	6P+E Poles	230V 50-60 Hz	400V 50-60 Hz	Qty	g each
		7pol 9h	7pol 6h		
16	7	12390	12391	10	215
32	7	12392	12393	10	290

Plug with TE Multi-Grip

- Screw terminals
- High-temperature-resistant contact carrier
- Nickel plated contacts
- Special gland, simultaneous cable gland and seal
- Protection degree IP44

Dimension drawing: see page 78/2 (2 MB 93 under 5-pole)



Fig.: Type 210067

Ampere	6P+E Poles	230V 50-60 Hz	400V 50-60 Hz	Qty	g each
		7pol 9h	7pol 6h		
16	7	210550	21557	10	220
32	7	210636	210067	10	345

Surface Mounting Appliance Inlet TE

- Screw terminals
- High-temperature-resistant contact carrier
- Nickel plated contacts
- Protection degree IP44

Dimension drawing: see page 82/1 (5 MB 45 under 5-pole)



Fig.: Type 24196

Ampere	6P+E Poles	230V 50-60 Hz	400V 50-60 Hz	Qty	g each
		7pol 9h	7pol 6h		
16	7	24193	24194	10	340
32	7	24195	24196	10	420

Connector TE with Multi-Grip

- Screw terminals
- High-temperature-resistant contact carrier
- Nickel plated contacts
- Special gland, simultaneous cable gland and seal
- Protection degree IP44

Dimension drawing: see page 99/2 (3 MB 62 under 5-pole)



Fig.: Type 310123

Ampere	6P+E Poles	230V 50-60 Hz	400V 50-60 Hz	Qty	g each
		7pol 9h	7pol 6h		
16	7	310311	31752	10	250
32	7	310381	310123	10	395

7-POLE PLUGS AND SOCKETS

- For plugs and sockets: polarity switchover circuits/ star-delta circuit
- Protection degree IP67

Surface Mounting Socket Outlet TE

- Screw terminals
- High-temperature-resistant contact carrier
- Nickel plated contacts
- Protection degree IP67

Dimension drawing: see page 30/3 (1 MB 8 under 5-pole)



Fig.: Type 11542

Ampere	Poles 6P+E	230V 50-60 Hz	400V 50-60 Hz	Qty	g each
		7pol 9h	7pol 6h		
16	7	11634	11542	1	495
32	7	11635	11714	1	875

Surface Mounting Socket Outlet TE

- Screw terminals
- High-temperature-resistant contact carrier
- Nickel plated contacts
- Protection degree IP67

Dimension drawing: see page 31/1 (1 MB 14 under 5-pole)



Fig.: Type 11714

Ampere	Poles 6P+E	230V 50-60 Hz	400V 50-60 Hz	Qty	g each
		7pol 9h	7pol 6h		
16	7	13330	13331	10	230
32	7	13332	13333	10	320

Panel Mounting Socket Outlet TE

- Screw terminals
- High-temperature-resistant contact carrier
- Nickel plated contacts
- Flange 75 x 75 mm
- Protection degree IP67

Dimension drawing: see page 245/2 (4 MB 5 under 5-pole)



Fig.: Type 13333

Ampere	Poles 6P+E	230V 50-60 Hz	400V 50-60 Hz	Qty	g each
		7pol 9h	7pol 6h		
16	7	12394	12395	10	245
32	7	12396	12397	10	335

Panel Mounting Socket Outlet TE

- Screw terminals
- 20° angled
- High-temperature-resistant contact carrier
- Nickel plated contacts
- Flange 100 x 92 mm
- Protection degree IP67

Dimension drawing: see page 102/3 (2 MB 94 under 5-pole)



Fig.: Type 12397

Ampere	Poles 6P+E	230V 50-60 Hz	400V 50-60 Hz	Qty	g each
		7pol 9h	7pol 6h		
16	7	21711	21667	10	255
32	7	21712	21669	10	405

Plug TE with Multi-Grip

- Screw terminals
- High-temperature-resistant contact carrier
- Nickel plated contacts
- Special gland, simultaneous cable gland and seal
- Protection degree IP67

Accessories: closure cap, see page 102/3
Dimension drawing: see page 79/1 (2 MB 94 under 5-pole)



Fig.: Type 21669

Ampere	Poles 6P+E	230V 50-60 Hz	400V 50-60 Hz	Qty	g each
		7pol 9h	7pol 6h		
16	7	31512	31513	10	295
32	7	31514	31515	10	465

Connectors TE with Multi-Grip

- Screw terminals
- High-temperature-resistant contact carrier
- Nickel plated contacts
- Special gland, simultaneous cable gland and seal
- Protection degree IP67

Dimension drawing: see page 100/2 (3 MB 63 under 5-pole)



Fig.: Type 31515

Ampere	Poles 6P+E	230V 50-60 Hz	400V 50-60 Hz	Qty	g each
		7pol 9h	7pol 6h		
16	7	31512	31513	10	295
32	7	31514	31515	10	465

7-POLE PLUGS AND SOCKETS

- For plugs and sockets: polarity switchover circuits/ star-delta circuit
- Protection degree IP44, IP67

Surface Mounting Socket Outlet TE

- High-temperature-resistant contact carrier
- Nickel plated contacts
- Switched
- Lockable in 0-position
- Protection degree IP44

Dimension drawing: see page 45/2 (12 MB 24 under 5-pole)



Fig.: Type 16374

Ampere	6P+E Poles	230V 50-60 Hz	400V 50-60 Hz	Qty	g each
		7pol 9h	7pol 6h		
16	7	16441	16374	1	1105

Surface Mounting Socket Outlet TE

- High-temperature-resistant contact carrier
- Nickel plated contacts
- Switched
- With mechanical double interlocking
- Lockable in 0-position
- Protection degree IP44

Dimension drawing: see page 45/2 (12 MB 24 under 16A, 5-pole) for 16A, 7p
page 45/2 (12 MB 24 under 32A, 5-pole) for 32A, 7p



Fig.: Type 16378

Ampere	6P+E Poles	230V 50-60 Hz	400V 50-60 Hz	Qty	g each
		7pol 9h	7pol 6h		
16	7	16445	16378	1	220
32	7		160438	1	345

Surface Mounting Socket Outlet TE

- High-temperature-resistant contact carrier
- Nickel plated contacts
- Switched
- With mechanical double interlocking
- Lockable in 0-position
- Protection degree IP67

Dimension drawing: see page 46/2 (12 MB 11 under 16A, 5-pole) for 16A, 7p
page 46/2 (12 MB 11 under 32A, 5-pole) for 32A, 7p



Fig.: Type 16380

Ampere	6P+E Poles	230V 50-60 Hz	400V 50-60 Hz	Qty	g each
		7pol 9h	7pol 6h		
16	7	16447	16380	1	1120
32	7		160087	1	1975

Panel Mounting Appliance Inlet TE

- Screw terminals
- High-temperature-resistant contact carrier
- Nickel plated contacts
- Protection degree IP44

Dimension drawing: see page 89/1 (5 MB 24 under 5-pole)



Fig.: Type 26002

Ampere	6P+E Poles	230V 50-60 Hz	400V 50-60 Hz	Qty	g each
		7pol 9h	7pol 6h		
16	7	26012	26013	10	200
32	7	26001	26002	10	300

Panel Mounting Appliance Inlet TE

- Screw terminals
- High-temperature-resistant contact carrier
- Nickel plated contacts
- Protection degree IP67

Accessories: closure cap, see page 102/3

Dimension drawing: see page 90/1 (5 MB 1 under 5-pole)



Fig.: Type 26006

Ampere	6P+E Poles	230V 50-60 Hz	400V 50-60 Hz	Qty	g each
		7pol 9h	7pol 6h		
16	7	26003	26004	10	275
32	7	26005	26006	1	350

Panel Mounting Appliance Inlet TE

- Screw terminals
- High-temperature-resistant contact carrier
- Nickel plated contacts
- Protection degree IP67

Accessories: closure cap, see page 102/3

Dimension drawing: see page 92/1 (5 MB 22 under 5-pole)



Fig.: Type 27120

Ampere	6P+E Poles	230V 50-60 Hz	400V 50-60 Hz	Qty	g each
		7pol 9h	7pol 6h		
16	7	27117	27118	10	240
32	7	27119	27120	10	410

Surface Mounting Socket Outlet Quick-Connect TE

- Screwless terminals
 - Kontex contact
 - Nickel plated contacts
 - Cable entry 1x at top (open) and 1x at bottom (closed) for 16A 3p
 - Cable entry 1x at top (open), 2x at bottom (closed) for 16A 4p - 32A 5p
 - Base rotatable by 180°
 - Protection degree IP44
- Dimension drawing: see page 28/2 (1 MB 7) for 16A 3p, page 28/3 (1 MB 2) for 16A 5p - 32A 5p



Fig.: Type 110579

2P+E Ampere		3P+N+E Poles		>50 - 500V			Qty	
3	4	3	4	3pol 1h	4pol 1h	5pol 1h	g	each
16	3					110577	10	185
16	4					110353	10	305
16	5					110394	10	330
32	4					110578	10	370
32	5					110579	10	380

Surface Mounting Socket Outlet TE

- Cable entry 1x at top (open), 2x at bottom (closed) for 63A
 - Cable entry M50 from above for 125A
 - Base rotatable by 180° for 63A
 - High-temperature-resistant contact carrier
 - Kontex contact
 - Box terminals
 - Nickel plated contacts
 - Protection degree IP44 for 63A, IP67 for 125A
- Dimension drawing: see page 29/2 (1 MB 4) for 63A, page 31/3 (1 MB 20) for 125A



Fig.: Type 11889



Fig.: Type 110140

2P+E Ampere		3P+N+E Poles		>50 - 500V			Qty	
3	4	3	4	3pol 1h	4pol 1h	5pol 1h	g	each
63	5					11889	5	825
125	5					110140	1	2085

Panel Mounting Socket Outlet Quick-Connect TE

- Screwless terminals
- High-temperature-resistant contact carrier
- Kontex contact
- Nickel plated contacts
- Flange 75 x 75 mm
- Protection degree IP44



Fig.: Type 130278

2P+E Ampere		3P+N+E Poles		>50 - 500V			Qty	
3	4	3	4	3pol 1h	4pol 1h	5pol 1h	g	each
16	3					130277	10	110
16	4					130077	10	130
16	5					130278	10	170
32	4					130040	10	205
32	5					13822	10	225

Panel Mounting Socket Outlet TE

- Screw terminals
 - Flange 107 x 100 for 63A
 - Flange 120 x 120 for 125A
 - High-temperature-resistant contact carrier
 - Kontex contact
 - Box terminals
 - Nickel plated contacts
 - Protection degree IP44 for 63A, IP67 for 125A
- Dimension drawing: see page 58/2 (4 MB 265) for 63A, page 64/1 (4 MB 55)



Fig.: Type 130279



Fig.: Type 13613

2P+E Ampere		3P+N+E Poles		>50 - 500V			Qty	
3	4	3	4	3pol 1h	4pol 1h	5pol 1h	g	each
63	5					130279	5	530
125	5					13613	5	1125

Panel Mounting Socket Outlet Quick-Connect TE

- Screwless terminals
 - 20° angled
 - High-temperature-resistant contact carrier
 - Kontex contact
 - Nickel plated contacts
 - Flange 85 x 85 mm
 - Protection degree IP44
- Dimension drawing: see page 59/3 (4 MB 264)



Fig.: Type 120256

2P+E Ampere		3P+N+E Poles		>50 - 500V			Qty	
3	4	3	4	3pol 1h	4pol 1h	5pol 1h	g	each
16	3					120442	10	125
16	4					120150	10	145
16	5					120282	10	175
32	4					120157	10	235
32	5					120256	10	265

Panel Mounting Socket Outlet TE

- Screw terminals
 - 15° angled
 - Flange 114 x 114 mm
 - High-temperature-resistant contact carrier
 - Kontex contact
 - Box terminals
 - Nickel plated contacts
 - Protection degree IP44 for 63A, IP67 for 125A
- Dimension drawing: see page 61/2 (4 MB 10) for 63A, page 67/1 (4 MB 9) for 125A



Fig.: Type 120280



Fig.: Type 12689

2P+E Ampere		3P+N+E Poles		>50 - 500V			Qty	
3	4	3	4	3pol 1h	4pol 1h	5pol 1h	g	each
63	5					120280	5	665
125	5					12689	5	980

Plug TE-Plus with Multi-Grip

- Screwless terminals
- High-temperature-resistant contact carrier
- Nickel plated contacts
- Special gland, simultaneous cable gland and seal
- Protection degree IP44

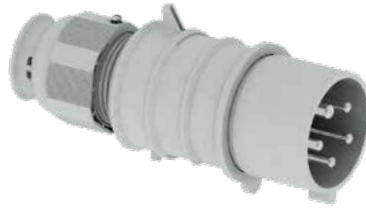


Fig.: Type 21907

		>50 - 500V				
2P+E Ampere	3P+E Poles	3pol 1h	4pol 1h	5pol 1h	Qty	g each
16	3	210402			10	125
16	4	210668			10	145
16	5	21907			10	180
32	4	210358			10	260
32	5	210238			10	295

Dimension drawing: see page 78/2 (2 MB 93)

Plug TE with Multi-Grip

- Screw terminal
- Box terminals
- High-temperature-resistant contact carrier
- Nickel plated contacts
- Special gland, simultaneous cable gland and seal
- Protection degree IP44 for 63A, IP67 for 125A



Fig.: Type 21785

Fig.: Type 21966

		>50 - 500V				
2P+E Ampere	3P+N+E Poles	3pol 1h	4pol 1h	5pol 1h	Qty	g each
63	5	21785			5	655
125	5	21966			5	1235

Dimension drawing: see page 78/3 (2 MB 158) for 63A, page 80/1 (2 MB 214) for 125A

Surface Mounting Appliance Inlet Quick-Connect TE

- Screwless terminals
- High-temperature-resistant contact carrier
- Nickel plated contacts
- Cable entry 1x at top (open), 2x at bottom (closed)
- Base rotatable by 180°
- 4 mounting holes in enclosure base
- Suitable for through wiring
- Protection degree IP44



Fig.: Type 24625

		>50 - 500V				
2P+E Ampere	3P+N+E Poles	3pol 1h	4pol 1h	5pol 1h	Qty	g each
16	5	24625			10	305
32	4	24626			10	380
32	5	24627			10	385

Dimension drawing: see page 82/1 (5 MB 45)

Surface Mounting Appliance Inlet TE

- Screw terminals
- Box terminals
- Cable entry 1x at top (open) and 2x at bottom (closed) for 63A
- Cable entry M50 from above for 125A
- Base rotatable by 180° for 63A
- High-temperature-resistant contact carrier
- Nickel plated contacts
- Protection degree IP44 for 63A, IP67 for 125A



Fig.: Type 24594

Fig.: Type 24241

		>50 - 500V				
2P+E Ampere	3P+N+E Poles	3pol 1h	4pol 1h	5pol 1h	Qty	g each
63	5	24594			5	1020
125	5	24241			1	1235

Dimension drawing: see page 82/2 (5 MB 48) for 63A, page 86/2 (5 MB 37) for 125A

Connector TE-Plus with Multi-Grip

- Screwless terminals
- High-temperature-resistant contact carrier
- Kontex contact
- Nickel plated contacts
- Special gland, simultaneous cable gland and seal
- Protection degree IP44



Fig.: Type 310044

		>50 - 500V				
2P+E Ampere	3P+N+E Poles	3pol 1h	4pol 1h	5pol 1h	Qty	g each
16	3	310564			10	145
16	4	310519			10	170
16	5	310068			10	200
32	4	31779			10	310
32	5	310044			10	340

Dimension drawing: see page 99/2 (3 MB 62)

Connector TE with Multi-Grip

- Screw terminal
- Box terminals
- High-temperature-resistant contact carrier
- Kontex contact
- Nickel plated contacts
- Protection degree IP44 for 63A, IP67 for 125A



Fig.: Type 31627

Fig.: Type 31641

		>50 - 500V				
2P+E Ampere	3P+N+E Poles	3pol 1h	4pol 1h	5pol 1h	Qty	g each
63	5	31627			5	670
125	5	31641			5	1300

Dimension drawing: see page 99/3 (3 MB 107) for 63A, page 101/1 (3 MB 69) for 125A

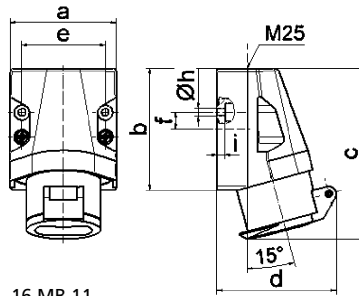
EXTRA-LOW VOLTAGE PLUGS AND SOCKETS

- IEC 60309, VDE 0623
- Protection degree IP44

Surface Mounting Socket Outlet

- Screw terminals
- Cable entry 1x at top (open)
- Protection degree IP44

Ampere	Poles	24V 50-60 Hz	42V 50-60 Hz	100-200Hz bis 50V	300Hz bis 50V	400Hz bis 50V	bis 50V	Qty	g each
		---	12h	4h	2h	3h	10h		
16	2	410	411	412	413	414	415	10	180
16	3	416	417	418	419	4110	4107	10	195
32	2	4111	4112	4113	4114	4115	4116	10	180
32	3	4117	4118	4119	4120	4121	4157	10	195



16 MB 11

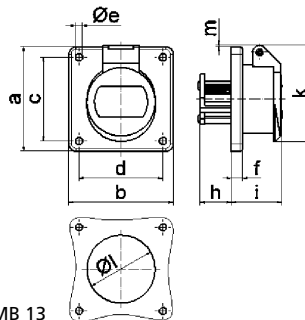
Ampere Poles	16 2	16 3	32 2	32 3
a	70.0	70.0	70.0	70.0
b	80.0	80.0	80.0	80.0
c	113.0	113.0	113.0	113.0
d	80.0	80.0	80.0	80.0
e	55.0	55.0	55.0	55.0
f	11.0	11.0	11.0	11.0
h ø	5.2	5.2	5.2	5.2
i	5.0	5.0	5.0	5.0
Cond. mm² min	4	4	4	4
Cond. mm² max	10	10	10	10

Fig.: Type 4118

Panel Mounting Socket Outlet

- Screw terminals
- Straight
- Flange 55 x 55 mm
- Protection degree IP44

Ampere	Poles	24V 50-60 Hz	42V 50-60 Hz	100-200Hz bis 50V	300Hz bis 50V	400Hz bis 50V	bis 50V	Qty	g each
		---	12h	4h	2h	3h	10h		
16	2	430	431	432	433	434	435	10	110
16	3	436	437	438	439	4310	4390	10	125
16	2	4311	4312	4313	4314	4315	4316	10	110
16	3	4317	4318	4319	4320	4321		10	125



16 MB 13

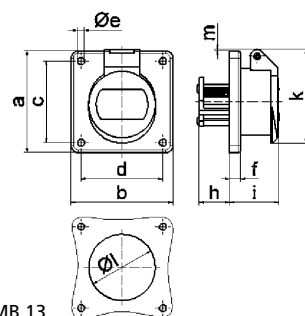
Ampere Poles	16 2	16 3	32 2	32 3
a	55.0	55.0	55.0	55.0
b	55.0	55.0	55.0	55.0
c	45.0	45.0	45.0	45.0
d	45.0	45.0	45.0	45.0
e ø	5.2	5.2	5.2	5.2
f	6.0	6.0	6.0	6.0
h	22.0	22.0	22.0	22.0
i	37.0	37.0	37.0	37.0
k	67.0	67.0	67.0	67.0
l ø	49.0	49.0	49.0	49.0
m	12.0	12.0	12.0	12.0
Cond. mm² min	4	4	4	4
Cond. mm² max	10	10	10	10

Fig.: Type 4318

Panel Mounting Socket Outlet

- Screw terminals
- Straight
- Flange 75 x 75 mm
- Protection degree IP44

Ampere	Poles	24V 50-60 Hz	42V 50-60 Hz	100-200Hz bis 50V	300Hz bis 50V	400Hz bis 50V	bis 50V	Qty	g each
		---	12h	4h	2h	3h	10h		
16	2	4354	4355	4356	4357	4358	4359	10	130
16	3	4360	4361	4362	4363	4364	43003	10	150
32	2	4365	4366	4367	4368	4369	4370	10	130
32	3	4371	4372	4373	4374	4375		10	150



16 MB 13

Ampere Poles	16 2	16 3	32 2	32 3
a	75.0	75.0	75.0	75.0
b	75.0	75.0	75.0	75.0
c	60.0	60.0	60.0	60.0
d	60.0	60.0	60.0	60.0
e ø	5.2	5.2	5.2	5.2
f	6.0	6.0	6.0	6.0
h	22.0	22.0	22.0	22.0
i	37.0	37.0	37.0	37.0
k	67.0	67.0	67.0	67.0
l ø	49.0	49.0	49.0	49.0
m	2.0	2.0	2.0	2.0
Cond. mm² min	4	4	4	4
Cond. mm² max	10	10	10	10

Fig.: Type 4372

EXTRA-LOW VOLTAGE PLUGS AND SOCKETS

- IEC 60309-1/2, EN 60309, VDE 0623
- Protection degree IP44

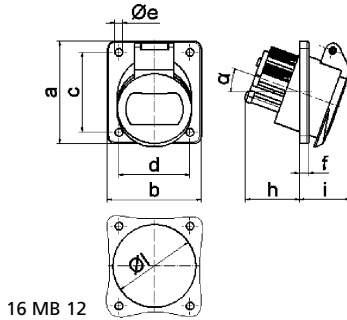
Panel Mounting Socket Outlet

- Screw terminals
- 20° angled
- Flange 68 x 62 mm
- Protection degree IP44

Ampere	Poles	24V 50-60 Hz	42V 50-60 Hz	100-200Hz bis 50V	300Hz bis 50V	400Hz bis 50V	bis 50V	Qty	g each
		---	12h	4h	2h	3h	10h		
16	2	420	421	422	423	424	425	10	115
16	3	426	427	428	429	4210		10	135
32	2	4211	4212	4213	4214	4215	4216	10	115
32	3	4217	4218	4219	4220	4221	4274	10	135



Fig.: Type 4218



16 MB 12

Ampere Poles	16 2	16 3	32 2	32 3
a	68.0	68.0	68.0	68.0
b	62.0	62.0	62.0	62.0
c	53.0	53.0	53.0	53.0
d	47.0	47.0	47.0	47.0
e Ø	5.2	5.2	5.2	5.2
f	6.0	6.0	6.0	6.0
h	36.0	36.0	36.0	36.0
i	35.0	35.0	35.0	35.0
l Ø	20°	20°	20°	20°
Cond. mm² min	4	4	4	4
Cond. mm² max	10	10	10	10

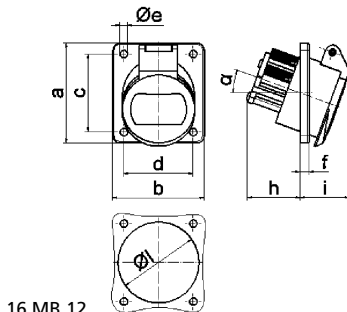
Panel Mounting Socket Outlet

- Screw terminals
- 20° angled
- Flange 100 x 92 mm
- Protection degree IP44

Ampere	Poles	24V 50-60 Hz	42V 50-60 Hz	100-200Hz bis 50V	300Hz bis 50V	400Hz bis 50V	bis 50V	Qty	g each
		---	12h	4h	2h	3h	10h		
16	2	4222	4223	4224	4225	4226	4227	10	150
16	3	4228	4229	4230	4231	4232		10	165
32	2	4233	4234	4235	4236	4237	4238	10	150
32	3	4239	4240	4241	4242	4243		10	165



Fig.: Type 4240



16 MB 12

Ampere Poles	16 2	16 3	32 2	32 3
a	100.0	100.0	100.0	100.0
b	92.0	92.0	92.0	92.0
c	85.0	85.0	85.0	85.0
d	77.0	77.0	77.0	77.0
e Ø	5.2	5.2	5.2	5.2
f	6.0	6.0	6.0	6.0
h	36.0	36.0	36.0	36.0
i	35.0	35.0	35.0	35.0
l Ø	20°	20°	20°	20°
Cond. mm² min	4	4	4	4
Cond. mm² max	10	10	10	10

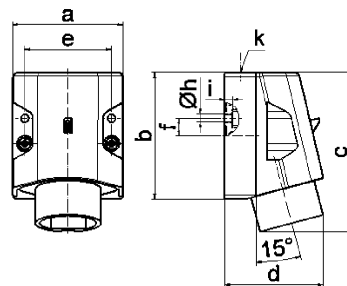
Surface Mounting Socket Outlet

- Screw terminals
- Protection degree IP44

Ampere	Poles	24V 50-60 Hz	42V 50-60 Hz	100-200Hz bis 50V	300Hz bis 50V	400Hz bis 50V	bis 50V	Qty	g each
		---	12h	4h	2h	3h	10h		
16	2	460	461	462	463	464	465	10	140
16	3	466	467	468	469	4610		10	165
32	2	4611	4612	4613	4614	4615	4616	10	140
32	3	4617	4618	4619	4620	4621		10	165



Fig.: Type 4619



16 MB 15

Ampere Poles	16 2	16 3	32 2	32 3
a	70.0	70.0	70.0	70.0
b	80.0	80.0	80.0	80.0
c	100.0	100.0	100.0	100.0
d	82.0	82.0	82.0	82.0
e	55.0	55.0	55.0	55.0
f	11.0	11.0	11.0	11.0
h Ø	5.2	5.2	5.2	5.2
i	5.0	5.0	5.0	5.0
k	M25	M25	M25	M25
Cond. mm² min	4	4	4	4
Cond. mm² max	10	10	10	10

EXTRA-LOW VOLTAGE PLUGS AND SOCKETS

- IEC 60309, VDE 0623
- Protection degree IP44

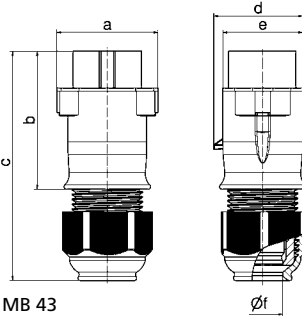
Plug with Multi-Grip

- Screw terminals
- Nickel plated contacts
- Special gland, simultaneous cable gland and seal
- Protection degree IP44

Ampere	Poles	24V 50-60 Hz	42V 50-60 Hz	100-200Hz bis 50V	300Hz bis 50V	400Hz bis 50V	bis 50V	Qty	g each
		---	12h	4h	2h	3h	10h		
16	2	4422	4423	4424	4425	4426	4427	10	125
16	3	4428	4429	4430	4431	4432	4481	10	160
32	2	4433	4434	4435	4436	4437	4438	10	125
32	3	4439	4440	4441	4442	4443		10	160



Fig.: Type 4441



16 MB 43

Ampere	16	16	32	32
Poles	2	3	2	3
a	62.0	62.0	62.0	62.0
b	85.0	85.0	85.0	85.0
c	140.0	140.0	140.0	140.0
d	55.0	55.0	55.0	55.0
e	50.0	50.0	50.0	50.0
f Ø	24.5	24.5	24.5	24.5
Cond. mm² min	4	4	4	4
Cond. mm² max	10	10	10	10

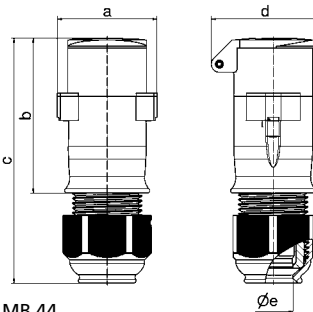
Connector with Multi-Grip

- Screw terminals
- Nickel plated contacts
- Special gland, simultaneous cable gland and seal
- Protection degree IP44

Ampere	Poles	24V 50-60 Hz	42V 50-60 Hz	100-200Hz bis 50V	300Hz bis 50V	400Hz bis 50V	bis 50V	Qty	g each
		---	12h	4h	2h	3h	10h		
16	2	4522	4523	4524	4525	4526	4527	10	185
16	3	4528	4529	4530	4531	4532	45044	10	205
32	2	4533	4534	4535	4536	4537	4538	10	185
32	3	4539	4540	4541	4542	4543		10	205



Fig.: Type 4541



16 MB 44

Ampere	16	16	32	32
Poles	2	3	2	3
a	62.0	62.0	62.0	62.0
b	96.0	96.0	96.0	96.0
c	152.0	152.0	152.0	152.0
d	67.0	67.0	67.0	67.0
e Ø	24.5	24.5	24.5	24.5
Cond. mm² min	4	4	4	4
Cond. mm² max	10	10	10	10

Reducer

- Suitable for cables less than Ø 8 mm
- For all 16A standard plugs and sockets with Multi-Grip as well as extra-low voltage



Fig.: Type 29129

Order no.

29129

PLUGS AND SOCKETS FOR DC

- IEC 60309, EN 60309, VDE 0623
- Protection degree IP44

Surface Mounting Socket Outlet

- Screw terminals
- Protection degree IP44

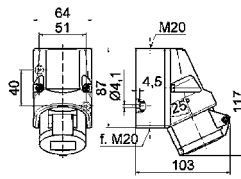


Fig.: Type 11032

1 MB 35

Ampere	2P+E Poles	> 50V bis 250V	> 250V	Qty	g each
		3pol 3h	3pol 8h		
16	3	11032		10	200

Panel Mounting Socket Outlet

- Screw terminals
- Straight
- Protection degree IP44

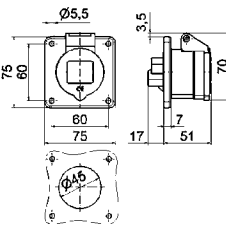


Fig.: Type 13070

4 MB 74

Ampere	2P+E Poles	> 50V bis 250V	> 250V	Qty	g each
		3pol 3h	3pol 8h		
16	3	13070		10	120

Panel Mounting Socket Outlet

- Screw terminals
- Angled
- Protection degree IP44

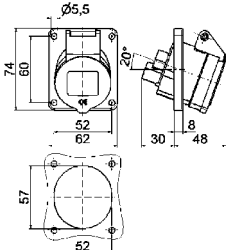


Fig.: Type 12144

4 MB 73

Ampere	2P+E Poles	> 50V bis 250V	> 250V	Qty	g each
		3pol 3h	3pol 8h		
16	3	12144		10	130

Plug TE-Plus with Multi-Grip

- Screwless terminals
- High-temperature-resistant contact carrier
- Nickel plated contacts
- Special gland, simultaneous cable gland and seal
- Protection degree IP44

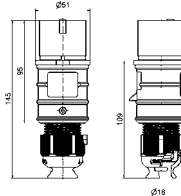


Fig.: Type 21868

2 MB 220

Ampere	2P+E Poles	> 50V bis 250V	> 250V	Qty	g each
		3pol 3h	3pol 8h		
16	3	21868	21882	10	125

Plug TE-Plus with Multi-Grip

- Screwless terminals
- High-temperature-resistant contact carrier
- Nickel plated contacts
- Special gland, simultaneous cable gland and seal
- Protection degree IP44

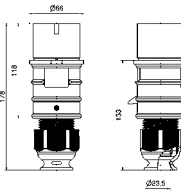


Fig.: Type 21869

2 MB 221

Ampere	2P+E Poles	> 50V bis 250V	> 250V	Qty	g each
		3pol 3h	3pol 8h		
32	3	21869	21876	10	240

PLUGS AND SOCKETS FOR DC

- IEC 60309, EN 60309, VDE 0623
- Protection degree IP44

Plug TE with Multi-Grip

- Screw terminals
- Nickel plated contacts
- Screwless enclosure connection, self locking
- Special gland, simultaneous cable gland and seal
- Protection degree IP44

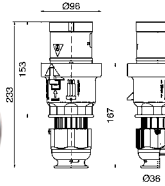


Fig.: Type 21706

2 MB 226

Ampere	2P+E Poles	> 50V bis 250V	> 250V	Qty	g each
		3pol 3h	3pol 8h		
63	3	21706		5	535

Connector TE-Plus with Multi-Grip

- Screwless terminals
- High-temperature-resistant contact carrier
- Nickel plated contacts
- Special gland, simultaneous cable gland and seal
- Protection degree IP44

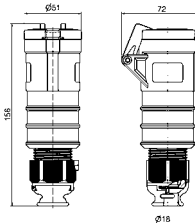


Fig.: Type 31677

3 MB 123

Ampere	2P+E Poles	> 50V bis 250V	> 250V	Qty	g each
		3pol 3h	3pol 8h		
16	3	31677		10	145

Surface Mounting Socket Outlet

- Screw terminals
- Nickel plated contacts
- Switched
- With mechanical double interlocking
- Lockable in 0-position
- Protection degree IP44

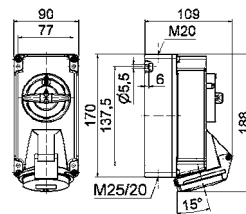


Fig.: Type 16449

12 MB 29

Ampere	2P+E Poles	> 50V bis 250V	> 250V	Qty	g each
		3pol 3h	3pol 8h		
16	3	16449		1	575

Surface Mounting Socket Outlet

- Screw terminals
- Nickel plated contacts
- Switched
- With mechanical double interlocking
- Lockable in 0-position
- Protection degree IP44

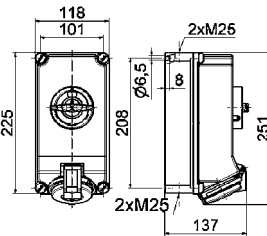


Fig.: Type 16450

12 MB 28

Ampere	2P+E Poles	> 50V bis 250V	> 250V	Qty	g each
		3pol 3h	3pol 8h		
32	3	16450		1	1215

Surface Mounting Socket Outlet Quick-Connect TE

- Screwless terminals
- Cable entry 1x at top (open), 2x at bottom (closed)
- Base rotatable by 180°
- High-temperature-resistant contact carrier
- Kontex contact
- Nickel plated contacts
- Protection degree IP44

Dimension drawing: see page 28/3 (1 MB 2)



Fig.: Type 110582

Ampere	Poles	600 - 690V 50 u. 60 Hz		Qty	g each
		4pol 5pol	5h 5h		
16	4	110580		10	315
16	5	110581		10	330
32	4	110481		10	380
32	5	110582		10	420

Surface Mounting Socket Outlet TE

- Cable entry 1x at top (open), 2x at bottom (closed) for 63A
- Base rotatable by 180° for 63A
- Cable entry 1x M50 from above for 125A
- High-temperature-resistant contact carrier
- Kontex contact
- Box terminals
- Nickel plated contacts
- Protection degree IP44 for 63A, IP67 for 125A

Dimension drawing: see page 29/2 (1MB4) for 63A, page 31/3 (1MB20) for 125A



Fig.: Type 110583



Fig.: Type 110328

Ampere	Poles	600 - 690V 50 u. 60 Hz		Qty	g each
		4pol 5pol	5h 5h		
63	4	11334		5	795
63	5	110583		5	830
125	4	11019		1	1975
125	5	110328		1	2085

Products with PILOT please add "P" to the ref.no.

Panel Mounting Socket Outlet Quick-Connect TE

- Screwless terminals
- High-temperature-resistant contact carrier
- Kontex contact
- Nickel plated contacts
- Flange 75 x 75 mm
- Protection degree IP44



Fig.: Type 130283

Ampere	Poles	600 - 690V 50 u. 60 Hz		Qty	g each
		4pol 5pol	5h 5h		
16	4	130280		10	150
16	5	130281		10	170
32	4	130282		10	230
32	5	130283		10	250

Panel Mounting Socket Outlet TE

- Screw terminals
- Flange 107 x 100 for 63A
- Flange 120 x 120 for 125A
- High-temperature-resistant contact carrier
- Kontex contact
- Box terminals
- Nickel plated contacts
- Protection degree IP44 for 63A, IP67 for 125A

Dimension drawing: see page 58/2 (4 MB 265) for 63A, page 64/1 (4 MB 55) for 125A



Fig.: Type 13849



Fig.: Type 130055

Ampere	Poles	600 - 690V 50 u. 60 Hz		Qty	g each
		4pol 5pol	5h 5h		
63	4	13075		5	445
63	5	13849		5	490
125	4	130232		5	1005
125	5	130055		5	1110

Products with PILOT please add "P" to the ref.no.

Panel Mounting Socket Outlet Quick-Connect TE

- Screwless terminals
- 20° angled
- High-temperature-resistant contact carrier
- Kontex contact
- Nickel plated contacts
- Flange 85 x 85 mm
- Protection degree IP44

Dimension drawing: see page 59/3 (4 MB 264)



Fig.: Type 120277

Ampere	Poles	600 - 690V 50 u. 60 Hz		Qty	g each
		4pol 5pol	5h 5h		
16	4	120368		10	135
16	5	120275		10	150
32	4	120336		10	200
32	5	120277		10	245

Panel Mounting Socket Outlet TE

- Screw terminals
- 15° angled
- Flange 114 x 114 mm
- High-temperature-resistant contact carrier
- Kontex contact
- Box terminals
- Nickel plated contacts
- Protection degree IP44 for 63A, IP67 for 125A

Dimension drawing: see page 61/2 (4 MB 10) for 63A, page 67/3 (4 MB 9) for 125A



Fig.: Type 12251



Fig.: Type 12065

Ampere	Poles	600 - 690V 50 u. 60 Hz		Qty	g each
		4pol 5pol	5h 5h		
63	4	12275		5	460
63	5	12251		5	500
125	4	12034		5	965
125	5	12065		5	980

Products with PILOT please add "P" to the ref.no.

Plug TE-Plus

- Screwless terminals
- High-temperature-resistant contact carrier
- Nickel plated contacts
- Special gland, simultaneous cable gland and seal
- Protection degree IP44

Dimension drawing: see page 78/2 (2 MB 93)



Fig.: Type 210962

Amperage	Poles	600 - 690V 50 u. 60 Hz		Qty	g each
		4pol 5pol	5h 5h		
16	4	210628		10	145
16	5	210778		10	180
32	4	210962		10	260
32	5	210779		10	310

Plug TE

- Screw terminal
- Box terminals
- High-temperature-resistant contact carrier
- Nickel plated contacts
- Special gland, simultaneous cable gland and seal
- Screwless enclosure connection, self locking
- Protection degree IP44 for 63A, IP67 for 125A

Dimension drawing: see page 78/3 (2 MB 158) for 63A, page 80/1 (2 MB 214) for 125A



Fig.: Type 21461

Fig.: Type 21059

Amperage	Poles	600 - 690V 50 u. 60 Hz		Qty	g each
		4pol 5pol	5h 5h		
63	4	21515		5	600
63	5	21461		5	655
125	4	21063		5	1125
125	5	21059		5	1245

Surface Mounting Appliance Inlet Quick-Connect TE

- Screwless terminals
- Cable entry 1x at top (open), 2x at bottom (closed)
- Base rotatable by 180°
- 4 mounting holes in enclosure base
- Suitable for through wiring
- High-temperature-resistant contact carrier
- Nickel plated contacts
- Protection degree IP44

Dimension drawing: see page 82/1 (5 MB 45)



Fig.: Type 24630

Amperage	Poles	600 - 690V 50 u. 60 Hz		Qty	g each
		4pol 5pol	5h 5h		
16	5	24628		10	305
32	4	24629		10	380
32	5	24630		10	385

Surface Mounting Appliance Inlet TE

- Screw terminals
- Box terminals
- Cable entry 1x at top (open) and 2x at bottom (closed) for 63A
- Cable entry M50 from above for 125A
- Base rotatable by 180° for 63A
- High-temperature-resistant contact carrier
- Nickel plated contacts
- Protection degree IP44 for 63A, IP67 for 125A

Dimension drawing: see page 82/2 (5 MB 48) for 63A, page 86/2 (5 MB 37) for 125A



Fig.: Type 24632

Fig.: Type 24543

Amperage	Poles	600 - 690V 50 u. 60 Hz		Qty	g each
		4pol 5pol	5h 5h		
63	4	24631		5	925
63	5	24632		5	975
125	4	24250		1	2145
125	5	24543		1	2245

Connector TE-Plus

- Screwless terminals
- High-temperature-resistant contact carrier
- Kontex contact
- Nickel plated contacts
- Special gland, simultaneous cable gland and seal
- Protection degree IP44

Dimension drawing: see page 99/2 (3 MB 62)



Fig.: Type 310508

Amperage	Poles	600 - 690V 50 u. 60 Hz		Qty	g each
		4pol 5pol	5h 5h		
16	4	310441		10	170
16	5	310507		10	200
32	4	310628		10	310
32	5	310508		10	350

Connector TE

- Screw terminal
 - Box terminals
 - High-temperature-resistant contact carrier
 - Kontex contact
 - Nickel plated contacts
 - Special gland, simultaneous cable gland and seal
 - Screwless enclosure connection, self locking
 - Protection degree IP44 for 63A, IP67 for 125A
- Dimension drawing: see page 99/3 (3 MB 107) for 63A, page 101/1 (3 MB 69) for 125A



Fig.: Type 31716

Fig.: Type 31266

Amperage	Poles	600 - 690V 50 u. 60 Hz		Qty	g each
		4pol 5pol	5h 5h		
63	4	31719		5	625
63	5	31716		5	670
125	4	31045		5	1215
125	5	31266		5	1300

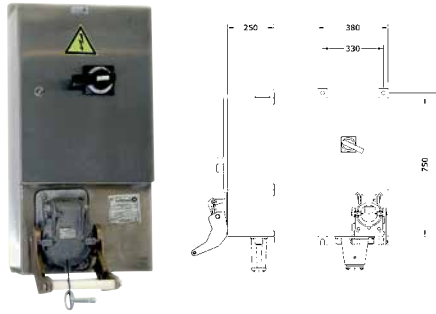
In the case of connectors with PILOT, please add -P to the end of the order number.

HIGH-CURRENT PLUGS AND SOCKETS

- Plugs and sockets above 125A and voltages up to 25kV
- Protection degree IP55, IP66

Surface Mounting Socket Outlet, Switched, Electrically Interlocked

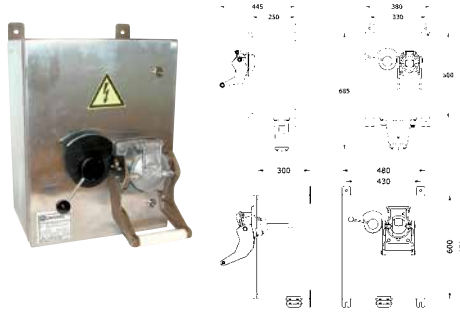
- Stainless-steel enclosure AISI 304
- With integrated main switch and socket
- Protection degree IP55



Ampere A	Poles p	Order no.	Cross section mm ²	Weight kg
250	4	160467		45.0
400	4	160468		45.0
250	5	160469		50.0
400	5	160470		50.0

Surface Mounting Socket Outlet, Switched, Electrically Interlocked

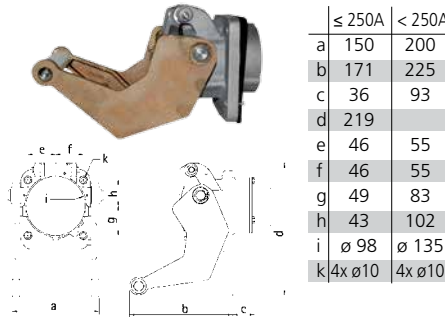
- Stainless-steel enclosure AISI 304
- With integrated main switch and socket
- Protection degree IP55



Ampere A	Poles p	Order no.	Cross section mm ²	Weight kg
250	4	160471		27.0
400	4	160472		27.0
250	5	160473		45.0
400	5	160474		45.0

Panel Mounting Socket Outlet with Easy Locking System and Laminated Contacts

- Metallic plugs and sockets
- Bronze lever arm
- 2 internal pilot contacts for signalling and control purposes
- IP66 when closed

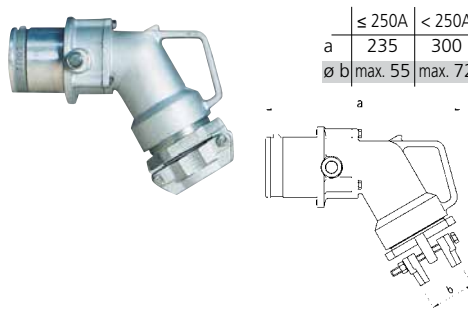


Ampere A	Poles p	Order no.	Cross section mm ²	Weight kg
≤ 250A	< 250A			
a 150	200			
b 171	225	13898	≤ 35	3.5
c 36	93	13899	50	3.5
d 219				
e 46	55	13900	70	3.5
f 46	55	130214	95	7.8
g 49	83	130215	120/150	7.8
h 43	102	13901	35	3.5
i ø 98	ø 135	13902	50	3.5
k 4x ø10	4x ø10	130216	≤ 70	7.8
		130217	95	7.8

Plug, Angled with Easy Locking System

- Metallic plugs and sockets
- External strain relief
- High-temperature-resistant contact carrier
- Silver-plated laminated contacts
- 2 internal pilot contacts for signalling and control purposes
- Plugs and sockets can be protected from dirt and dust by means of an additional protective cap
- IP66 when closed

Order corresponding protective cap - **Order No. 8345**

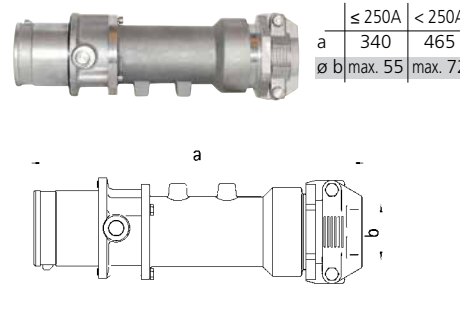


Ampere A	Poles p	Order no.	Cross section mm ²	Weight kg
≤ 250A	< 250A			
a 235	300			
ø b max. 55	max. 72			
160	4	2318	≤ 35	1.9
200	4	2319	50	1.9
250	4	2320	70	1.9
320	4	2323	95	4.5
420	4	2311	120/150	4.5
160	5	2321	35	1.9
200	5	2322	50	1.9
250	5	2324	≤ 70	4.5
320	5	2316	95	4.5

Plug, Straight with Easy Locking System

- Metallic plugs and sockets
- External strain relief
- High-temperature-resistant contact carrier
- Silver-plated laminated contacts
- 2 internal pilot contacts for signalling and control purposes
- Plugs and sockets can be protected from dirt and dust by means of an additional protective cap
- IP66 when closed

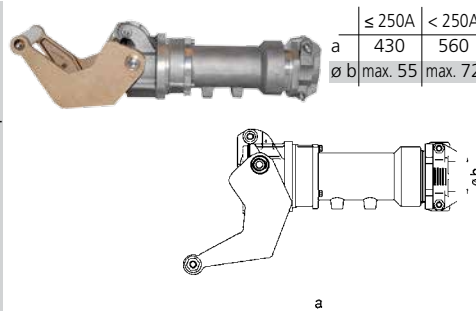
Order corresponding protective cap - **Order No. 8322**



Ampere A	Poles p	Order no.	Cross section mm ²	Weight kg
≤ 250A	< 250A			
a 340	465			
ø b max. 55	max. 72			
160	4	211018	≤ 35	1.8
200	4	211019	50	1.8
250	4	211020	70	1.8
320	4	211021	95	4.5
420	4	211022	120/150	4.5
160	5	211023	35	1.8
200	5	211024	50	1.8
250	5	211025	≤ 70	4.5
320	5	211026	95	4.5

Connector, Straight with Easy Locking System

- Metallic plugs and sockets
- External strain relief
- High-temperature-resistant contact carrier
- Silver-plated laminated contacts
- 2 internal pilot contacts for signalling and control purposes
- IP66 when closed



Ampere A	Poles p	Order no.	Cross section mm ²	Weight kg
≤ 250A	< 250A			
a 430	560			
ø b max. 55	max. 72			
160	4	310697	≤ 35	4.8
200	4	310698	50	4.8
250	4	310318	70	4.8
320	4	310699	95	9.4
420	4	310700	120/150	9.4
160	5	310701	35	4.8
200	5	310702	50	4.8
250	5	310703	≤ 70	9.4
320	5	310704	95	9.4





Field of Application: Reefer Containers, Clock Face Position 3h

Surface Mounting Socket Outlets,
Containers



Pages 181, 182

Panel Mounting Socket Outlets,
Containers



Page 182

Plugs/ inlets,
Containers



Pages 182, 183

Connectors,
Containers



Page 183

Field of Application: Military Facilities

TN Panel Mounting Socket Outlets



Pages 184, 185

TN
Plugs/Inlets



Pages 186 - 188

TN
Connectors



Page 189

TN Solid-Rubber Distributors,
Portable



Pages 190, 191

TN Domestic Panel Mounting
Socket Outlets



Page 192

TN Domestic
Plugs/Inlets



Page 192

TN Domestic
Connectors



Pages 192, 193

TN Accessories



Pages 193

Field of Application: Potentially Explosive Areas, Zone 1, 2, 21 and 22

Surface Mounting Socket Outlets



Pages 195, 196

Plugs



Pages 197, 198

Surface Mounting Socket Outlets/
Plugs, DC



Pages 199, 200

Cable Reels/Distributors,
DC



Page 200

Field of Application: Event Technology

Panel Mounting Socket Outlets



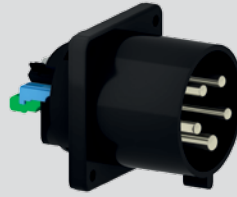
Page 202

Plugs



Page 202

Inlets



Page 203

Connectors



Page 203

Domestic Panel Mounting Socket Outlets



Page 204

Domestic Plugs



Page 204

Domestic Connectors



Pages 204

Field of Application: Camping

Surface Mounting Socket Outlets for Camping



Page 206

Panel Mounting Socket Outlets for Camping



Page 206

Caravan Flushmounting Inlets for Camping



Page 206

Plugs/Inlets/
Angled Plugs for Camping



Pages 206, 207

Connectors for Camping



Page 208

Adapter Plugs for Camping



Page 208

Domestic Plugs and Sockets for Camping



Page 208

Extension Leads for Camping



Page 208

REEFER CONTAINER
PLUGS AND SOCKETS



REEFER CONTAINER PLUGS AND SOCKETS

- Container operating voltage 400 - 440 V, clock face position 3h
- IEC 60309, EN 60309, VDE 0623
- Protection degree IP44, IP67

Connector TE-Plus with Multi-Grip

- Screwless terminals
- High-temperature-resistant contact carrier
- Nickel plated contacts
- Special gland, simultaneous cable gland and seal
- Protection degree IP67

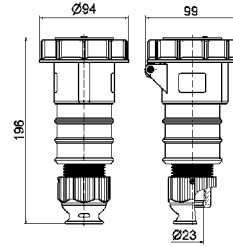


Fig.: Type 310426

Ampere	3P+E Poles	380V (50Hz) and 440V (60Hz)	Qty	9 each
		3h		
32	4	310426	10	390

Connector with Multi-Grip

- Screw terminals
- One-piece enclosure
- Nickel plated contacts
- Special gland, simultaneous cable gland and seal
- Protection degree IP67

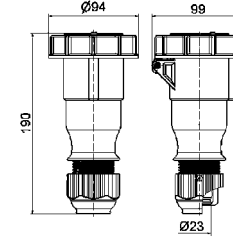


Fig.: Type 310567

Ampere	3P+E Poles	380V (50Hz) and 440V (60Hz)	Qty	9 each
		3h		
32	4	310567	10	334

Surface Mounting Socket Outlet TE

- CEE socket with screwless terminals
- Switched
- With mechanical double interlocking
- Lockable in 0-position
- High-temperature-resistant contact carrier
- Nickel plated contacts
- Protection degree IP67

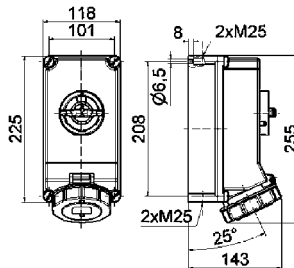


Fig.: Type 16050

Ampere	3P+E Poles	380V (50Hz) and 440V (60Hz)	Qty	9 each
		3h		
32	4	16050	1	1250

Surface Mounting Socket Outlet TE

- CEE socket with screwless terminals
- Switched
- With mechanical double interlocking
- DIN rail (6 modules)
- Hinged window
- Lockable in 0-position
- High-temperature-resistant contact carrier
- Nickel plated contacts
- Protection degree IP67

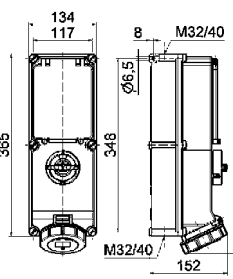


Fig.: Type 17026

Ampere	3P+E Poles	380V (50Hz) and 440V (60Hz)	Qty	9 each
		3h		
32	4	17026	1	1910

Test Plug

- Screw terminals
- For testing switch panel
- Nickel plated contacts
- Protection degree IP44



Fig.: Type 2298

Ampere	3P+E Poles	380V (50Hz) and 440V (60Hz)	Qty	9 each
		3h		
32	4	2298	1	225



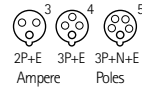
TN PANEL MOUNTING SOCKETS straight

- Colour: bronze-green RAL 6031-F9
- IEC 60309, EN 60309, VDE 0623, VG 96919
- Protection degree IP67

Panel Mounting Socket Outlet Quick-Connect

- Screwless terminals
- Straight
- Kontex contact
- High-temperature-resistant contact carrier
- Nickel plated contacts
- Flange 75 x 75 mm
- Protection degree IP67

(Form AS)



230V
50-60 Hz

400V
50-60 Hz

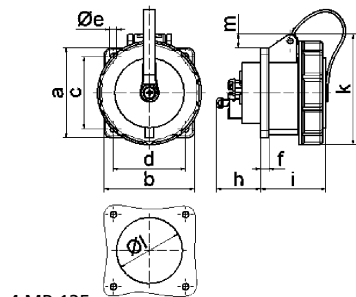
440V
60 Hz

301-500Hz
> 50V

Poles	Ampere	Order no.	Supply No. 5935-12-...				g each
			320-7272	320-7272	320-7272	320-7272	
3	16	13064*	AS 013			AS 039	150
4	16	13928	AS 020	AS 018	AS 021	AS 022	170
5	16	13189*	AS 002	AS 001	AS 003	AS 004	195
3	32	13032	AS 042			AS 044	245
4	32	13933	AS 025	AS 023	AS 026	AS 027	265
5	32	13297*	AS 006	AS 005	AS 007	AS 008	315



Fig.: Type 13066



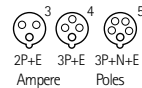
4 MB 125

Ampere Poles	16 3	16 4	16 5	32 3	32 4	32 5
a	75.0	75.0	75.0	75.0	75.0	75.0
b	75.0	75.0	75.0	75.0	75.0	75.0
c	60.0	60.0	60.0	60.0	60.0	60.0
d	60.0	60.0	60.0	60.0	60.0	60.0
e ø	5.5	5.5	5.5	5.5	5.5	5.5
f	7.0	7.0	7.0	8.0	8.0	8.0
h	35.0	35.0	35.0	50.0	50.0	50.0
i	57.0	57.0	57.0	69.0	69.0	69.0
k	77.0	83.0	93.0	98.0	98.0	107.0
l ø	45.0	75.0	55.0	60.0	60.0	60.0
m	4.0	7.0	12.0	12.0	12.0	17.0
Cond. mm² min	1.5	1.5	1.5	2.5	2.5	2.5
Cond. mm² max	4.0	4.0	4.0	10.0	10.0	10.0

Panel Mounting Socket Outlet

- Screw terminals
- Straight
- High-temperature-resistant contact carrier
- Box terminals
- Kontex contact
- Nickel plated contacts
- Flange 107 x 100 mm for 63A, 120 x 120 mm for 125A
- Protection degree IP67

(Form AS)



230V
50-60 Hz

400V
50-60 Hz

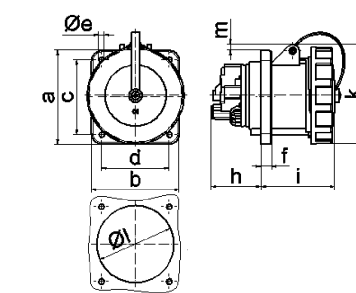
440V
60 Hz

301-500Hz
> 50V

Poles	Ampere	Order no.	Supply No. 5935-12-...				g each
			AS 047	AS 047	AS 047	AS 047	
3	63	13186	AS 047			AS 049	500
4	63	13924	AS 030	AS 028	AS 031	AS 032	580
5	63	13298*	AS 010	AS 009	AS 011	AS 012	620
3	125	13840	AS 052			AS 054	930
4	125	13919	AS 035	AS 033	AS 036	AS 037	1090
5	125	13915	AS 015	AS 014	AS 016	AS 017	1210



Fig.: Type 13067



4 MB 134

Ampere Poles	63 3	63 4	63 5	125 3	125 4	125 5
a	107.0	107.0	107.0	120.0	120.0	120.0
b	100.0	100.0	100.0	120.0	120.0	120.0
c	85.0	85.0	85.0	100.0	100.0	100.0
d	77.0	77.0	77.0	100.0	100.0	100.0
e ø	6.5	6.5	6.5	6.5	6.5	6.5
f	12.0	12.0	12.0	21.0	21.0	21.0
h	57.0	57.0	57.0	50.0	50.0	50.0
i	77.0	77.0	77.0	117.0	117.0	117.0
k	113.0	113.0	113.0	129.0	129.0	129.0
l ø	88.0	88.0	88.0	104.0	104.0	104.0
m	8.0	8.0	8.0	6.0	6.0	6.0
Cond. mm² min	6.0	6.0	6.0	25.0	25.0	25.0
Cond. mm² max	25.0	25.0	25.0	70.0	70.0	70.0

* Approval according to VG 96919

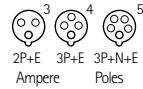
TN PANEL MOUNTING SOCKETS angled

- Colour: bronze-green RAL 6031-F9
- IEC 60309, EN 60309, VDE 0623, VG 96919
- Protection degree IP67

Panel Mounting Socket Outlet Quick-Connect

- Screwless terminals
- 20° angled
- Kontex contact
- High-temperature-resistant contact carrier
- Nickel plated contacts
- Flange 85 x 85 mm
- Protection degree IP67

(Form BS)



230V
50-60 Hz

400V
50-60 Hz

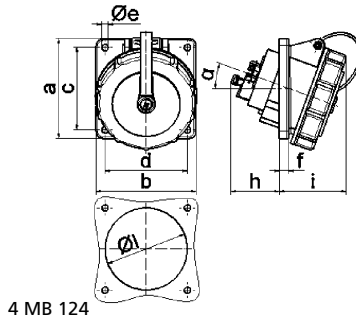
440V
60 Hz

301-500Hz
> 50V

Order no.	Supply No. 5935-12-...	VG type No. VG 96919...	230V 50-60 Hz			400V 50-60 Hz			440V 60 Hz			301-500Hz > 50V			9 each
			3pol 6h	4pol 9h	5pol 9h	3pol 9h	4pol 6h	5pol 6h	4pol 11h	5pol 11h	3pol 2h	4pol 2h	5pol 2h		
16 3			12085*	347-4131	BS 017								12280	155	
16 4			120025		BS 020	12699		120026		120027				175	
16 5			12242*		BS 002	12086*	300-5324	12235*		12236*				200	
32 3			12169		BS 002		BS 001	BS 003		BS 004			120029	250	
32 4			120030		BS 042	12700		120031		120032				275	
32 5			12340*		BS 025	12087*		12237*		12238*				315	
					BS 025	BS 023	BS 026	BS 027							
					BS 006	BS 005	BS 007	BS 008							



Fig.: Type 12087



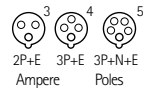
4 MB 124

Ampere Poles	16 3	16 4	16 5	32 3	32 4	32 5
a	85.0	85.0	85.0	85.0	85.0	85.0
b	85.0	85.0	85.0	85.0	85.0	85.0
c	70.0	70.0	70.0	70.0	70.0	70.0
d	70.0	70.0	70.0	70.0	70.0	70.0
e Ø	5.5	5.5	5.5	5.5	5.5	5.5
f	8.0	8.0	8.0	8.0	8.0	8.0
h	46.0	46.0	46.0	50.0	50.0	50.0
i	57.0	57.0	60.0	67.0	67.0	69.0
l Ø	57.0	65.0	70.0	78.0	78.0	78.0
α	20°	20°	20°	20°	20°	20°
Cond. mm² min	1.5	1.5	1.5	2.5	2.5	2.5
Cond. mm² max	4.0	4.0	4.0	10.0	10.0	10.0

Panel Mounting Socket Outlet

- Screw terminals
- Angled
- High-temperature-resistant contact carrier
- Box terminals
- Kontex contact
- Nickel plated contacts
- Flange 114 x 114 mm
- Protection degree IP67

(Form BS)



230V
50-60 Hz

400V
50-60 Hz

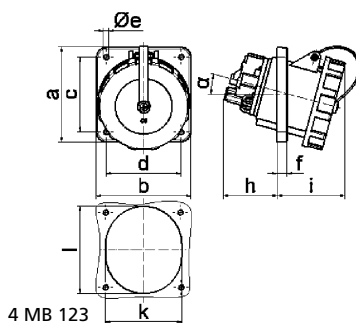
440V
60 Hz

301-500Hz
> 50V

Order no.	Supply No. 5935-12-...	VG type No. VG 96919...	230V 50-60 Hz			400V 50-60 Hz			440V 60 Hz			301-500Hz > 50V			9 each
			3pol 6h	4pol 9h	5pol 9h	3pol 9h	4pol 6h	5pol 6h	4pol 11h	5pol 11h	3pol 2h	4pol 2h	5pol 2h		
63 3			12239		BS 047								120034	555	
63 4			120035		BS 030	12953		120036		120037				590	
63 5			12341*		BS 010	12088*	347-4133	12240*		12241*				630	
125 3			12954		BS 009		BS 011			BS 012			120039	905	
125 4			120041		BS 052	12955		120042		120043				965	
125 5			12342*		BS 035	12191*	347-4132	12343*		12264*				1045	
					BS 014	BS 013	BS 015	BS 016							



Fig.: Type 12088



4 MB 123

Ampere Poles	63 3	63 4	63 5	125 3	125 4	125 5
a	114.0	114.0	114.0	114.0	114.0	114.0
b	114.0	114.0	114.0	114.0	114.0	114.0
c	90.0	90.0	90.0	90.0	90.0	90.0
d	90.0	90.0	90.0	90.0	90.0	90.0
e Ø	5.5	5.5	5.5	6.5	6.5	6.5
f	12.0	12.0	12.0	12.0	12.0	12.0
h	65.0	65.0	65.0	82.0	82.0	82.0
i	82.0	82.0	82.0	90.0	90.0	90.0
k	92.0	92.0	92.0	92.0	92.0	92.0
l	92.0	92.0	92.0	105.0	105.0	105.0
α	15°	15°	15°	15°	15°	15°
Cond. mm² min	6.0	6.0	6.0	25.0	25.0	25.0
Cond. mm² max	25.0	25.0	25.0	70.0	70.0	70.0

* Approval according to VG 96919

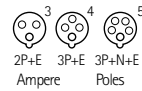
TN PLUGS

- Colour: bronze-green RAL 6031-F9
- IEC 60309, EN 60309, VDE 0623, VG 96919
- Protection degree IP67

Plug TE-Plus with Multi-Grip

- Screwless terminals
- High-temperature-resistant contact carrier
- Nickel plated contacts
- With protective cap
- Special gland, simultaneous cable gland and seal
- Protection degree IP67

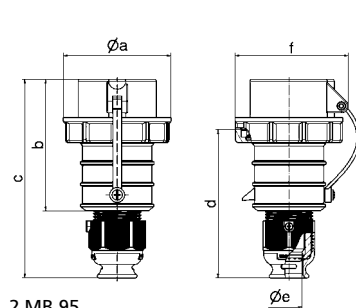
(Form CP)



Order no.	Supply No. 5935-12-...	VG type No. VG 96919...	230V 50-60 Hz			400V 50-60 Hz			440V 60 Hz			301-500Hz > 50V			g each
			3pol 6h	4pol 9h	5pol 9h	3pol 9h	4pol 6h	5pol 6h	4pol 11h	5pol 11h	3pol 2h	4pol 2h	5pol 2h		
16	3		21220*			312-5515			210403			9			
			CP 017			CP 039						180			
16	4		210404			210077			210405			210406			230
			CP 020			CP 018			CP 021			CP 022			
16	5		21423*			21208*			21424*			21425*			265
			CP 002			CP 001			CP 003			CP 004			
32	3		21221			300-3599			210408						340
			CP 042			CP 002			CP 003			CP 004			
32	4		210409			210078			210410			210411			380
			CP 025			CP 023			CP 026			CP 027			
32	5		21426*			21209*			21427*			21380*			420
			CP 006			CP 005			CP 007			CP 008			



Fig.: Type 21208



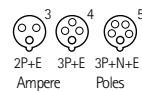
2 MB 95

Ampere Poles	16 3	16 4	16 5	32 3	32 4	32 5
a ø	70.0	78.0	86.0	94.0	94.0	101.0
b	103.5	104.0	105.5	127.0	127.0	129.5
c	153.5	154.0	160.5	187.0	187.0	193.5
d	111.0	111.0	119.0	136.0	136.0	138.5
e ø	18.0	18.0	21.0	23.5	23.5	27.0
f	75.5	82.5	91.0	96.5	96.5	104.5
Cond. mm² min	1.0	1.0	1.0	2.5	2.5	2.5
Cond. mm² max	2.5	2.5	2.5	6.0	6.0	6.0

Plug TE with Multi-Grip

- Screw terminals
- High-temperature-resistant contact carrier
- Box terminals
- Nickel plated contacts
- Special gland, simultaneous cable gland and seal
- With protective cap
- Screwless enclosure connection, self locking
- Protection degree IP67

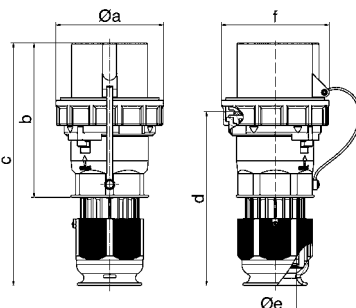
(Form CP)



Order no.	Supply No. 5935-12-...	VG type No. VG 96919...	230V 50-60 Hz			400V 50-60 Hz			440V 60 Hz			301-500Hz > 50V			g each
			3pol 6h	4pol 9h	5pol 9h	3pol 9h	4pol 6h	5pol 6h	4pol 11h	5pol 11h	3pol 2h	4pol 2h	5pol 2h		
63	3		210256			210413									695
			CP 047			CP 049									
63	4		210414			210263			210415			210417			755
			CP 000			CP 028			CP 031			CP 032			
63	5		21428*			21210*			21429*			21430*			815
			CP 010			CP 009			CP 0011			CP 012			
125	3		210264			300-5325			210419						1115
			CP 052			CP 009			CP 012			CP 054			
125	4		210421			210265			210422			210423			1220
			CP 035			CP 033			CP 036			CP 037			
125	5		21431*			21033*			21432*			21433*			1330
			CP 014			CP 013			CP 015			CP 016			



Fig.: Type 21210



2 MB 107

Ampere Poles	63 3	63 4	63 5	125 3	125 4	125 5
a ø	113.5	113.5	113.5	126.0	126.0	126.0
b	169.0	169.0	169.0	185.0	185.0	185.0
c	250.0	250.0	250.0	286.0	286.0	286.0
d	171.0	171.0	171.0	206.0	206.0	206.0
e ø	36.0	36.0	36.0	50.0	50.0	50.0
f	112.5	112.5	112.5	125.0	125.0	125.0
Cond. mm² min	6.0	6.0	6.0	16.0	16.0	16.0
Cond. mm² max	25.0	25.0	25.0	50.0	50.0	50.0

* Approval according to VG 96919

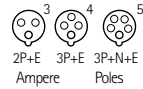
TN APPLIANCE INLETS WITH FLANGE

- Colour: bronze-green RAL 6031-F9
- IEC 60309, EN 60309, VDE 0623, VG 96919
- Protection degree IP67

Appliance Inlet with Flange

- Screw terminals
- High-temperature-resistant contact carrier
- Nickel plated contacts
- With protective cap
- Flange 85 x 85 mm
- Protection degree IP67

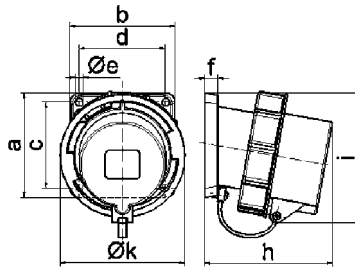
(Form BP)



Ampere	Poles	Order no.	Voltage				g
			230V 50-60 Hz	400V 50-60 Hz	440V 60 Hz	301-500Hz > 50V	
16	3	Supply No. 5935-12-... VG type No. VG 96919-...	319-7028 BP 013			BP 039	205
16	4	Order no.	27287	27204	27288	27289	230
		Supply No. 5935-12-... VG type No. VG 96919-...	BP 020	BP 018	BP 021	BP 022	
16	5	Order no.	27104*	2702*	27105*	27106*	260
		Supply No. 5935-12-... VG type No. VG 96919-...	BP 002	300-3598 BP 001	BP 003	BP 004	
32	3	Order no.	2745			27291	305
		Supply No. 5935-12-... VG type No. VG 96919-...	BP 042			BP 044	
32	4	Order no.	27292	27201	27293	27294	330
		Supply No. 5935-12-... VG type No. VG 96919-...	BP 025	BP 023	BP 026	BP 027	
32	5	Order no.	27107*	2703*	27108*	27043*	365
		Supply No. 5935-12-... VG type No. VG 96919-...	BP 006	188-9997 BP 005	BP 007	312-4195 BP 008	



Fig.: Type 2703



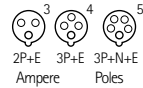
5 MB 31

Ampere Poles	16 3	16 4	16 5	32 3	32 4	32 5
a	85.0	85.0	85.0	85.0	85.0	85.0
b	85.0	85.0	85.0	85.0	85.0	85.0
c	70.0	70.0	70.0	70.0	70.0	70.0
d	70.0	70.0	70.0	70.0	70.0	70.0
e ø	6.3	6.3	6.3	6.3	6.3	6.3
f	11.0	11.0	11.0	11.0	11.0	11.0
h	94.0	94.0	94.0	105.0	105.0	105.0
i	94.0	97.0	101.0	103.0	103.0	107.0
k	70.5	78.5	86.5	94.0	94.0	101.5
Cond. mm² min	1.0	1.0	1.0	2.5	2.5	2.5
Cond. mm² max	2.5	2.5	2.5	6.0	6.0	6.0

Appliance Inlet with Flange

- Screw terminals
- High-temperature-resistant contact carrier
- Box terminals
- Nickel plated contacts
- With protective cap
- Flange 107 x 100 mm for 63A, 130 x 120 mm for 125A
- Protection degree IP67

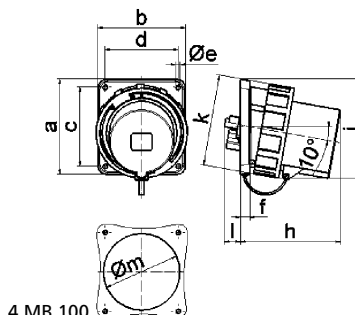
(Form BP)



Ampere	Poles	Order no.	Voltage				g
			230V 50-60 Hz	400V 50-60 Hz	440V 60 Hz	301-500Hz > 50V	
63	3	Supply No. 5935-12-... VG type No. VG 96919-...				BP 049	630
63	4	Order no.	27296	27268	27297	27298	695
		Supply No. 5935-12-... VG type No. VG 96919-...	BP 030	BP 028	BP 031	BP 032	
63	5	Order no.	27109*	2704*	27110*	27045*	750
		Supply No. 5935-12-... VG type No. VG 96919-...	BP 010	BP 009	BP 011	BP 012	
125	3	Order no.	27269			27299	1010
		Supply No. 5935-12-... VG type No. VG 96919-...	BP 052			BP 054	
125	4	Order no.	27300	27270	27301	27302	1125
		Supply No. 5935-12-... VG type No. VG 96919-...	BP 035	BP 033	BP 036	BP 037	
125	5	Order no.	27303	27102	27304	27305	1220
		Supply No. 5935-12-... VG type No. VG 96919-...	BP 015	300-5323 BP 014	BP 016	321-5242 BP 017	



Fig.: Type 2704



4 MB 100

Ampere Poles	63 3	63 4	63 5	125 3	125 4	125 5
a	107.0	107.0	107.0	130.0	130.0	130.0
b	100.0	100.0	100.0	120.0	120.0	120.0
c	85.0	85.0	85.0	108.0	108.0	108.0
d	77.0	77.0	77.0	100.0	100.0	100.0
e ø	6.5	6.5	6.5	6.5	6.5	6.5
f	12.0	12.0	12.0	13.0	13.0	13.0
h	142.0	142.0	142.0	134.0	134.0	134.0
i	124.0	124.0	124.0	138.0	138.0	138.0
k	113.5	113.5	113.5	126.0	126.0	126.0
l	---	---	---	23.0	23.0	23.0
m ø	---	---	---	105.0	105.0	105.0
Cond. mm² min	6.0	6.0	6.0	16.0	16.0	16.0
Cond. mm² max	16.0	16.0	16.0	50.0	50.0	50.0

* Approval according to VG 96919

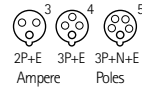
TN APPLIANCE INLETS WITH FLANGE, straight

- Colour: bronze-green RAL 6031-F9
- IEC 60309, EN 60309, VDE 0623, VG 96919
- Protection degree IP67

Appliance Inlet with Flange

- Screw terminals
- High-temperature-resistant contact carrier
- Nickel plated contacts
- With protective cap
- Flange 85 x 85 mm
- Protection degree IP67

(Form AP)



230V 50-60 Hz
3pol 4pol 5pol 6h 9h 9h

400V 50-60 Hz
3pol 4pol 5pol 9h 6h 6h

440V 60 Hz
4pol 5pol 11h 11h

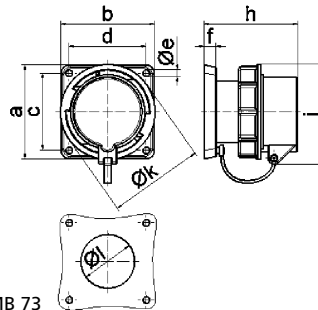
301-500Hz > 50V
3pol 4pol 5pol 2h 2h 2h

9
each

16	3	Order no. 2892	
		Supply No. 5935-12-...	210
		VG type No. VG 96919...	AP 037
16	4	Order no. 2893	
		Supply No. 5935-12-...	
		VG type No. VG 96919...	AP 017
16	5	Order no. 2894	
		Supply No. 5935-12-...	
		VG type No. VG 96919...	AP 001
32	3	Order no. 2895	
		Supply No. 5935-12-...	
		VG type No. VG 96919...	AP 042
32	4	Order no. 2896	
		Supply No. 5935-12-...	
		VG type No. VG 96919...	AP 022
32	5	Order no. 2897	
		Supply No. 5935-12-...	360
		VG type No. VG 96919...	AP 005



Fig.: Type 2897



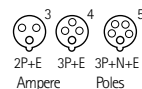
5 MB 73

Ampere Poles	16 3	16 4	16 5	32 3	32 4	32 5
a	85.0	85.0	85.0	85.0	85.0	85.0
b	85.0	85.0	85.0	85.0	85.0	85.0
c	70.0	70.0	70.0	70.0	70.0	70.0
d	70.0	70.0	70.0	70.0	70.0	70.0
e Ø	6.3	6.3	6.3	6.3	6.3	6.3
f	11.0	11.0	11.0	11.0	11.0	11.0
h	84.0	84.0	85.0	94.0	94.0	94.0
i	82.5	86.0	91.0	96.5	96.5	104.0
k Ø	70.5	78.5	86.5	94.0	94.0	101.5
l Ø	49.0	49.0	49.0	49.0	49.0	49.0
Cond. mm² min	1.0	1.0	1.0	2.5	2.5	2.5
Cond. mm² max	2.5	2.5	2.5	6.0	6.0	6.0

Appliance Inlet with flange

- Screw terminals
- High-temperature-resistant contact carrier
- Box terminals
- Nickel plated contacts
- With protective cap
- Flange 110 x 106 mm for 63A, flange 120 x 120 mm for 125A
- Protection degree IP67

(Form AP)



230V 50-60 Hz
3pol 4pol 5pol 6h 9h 9h

400V 50-60 Hz
3pol 4pol 5pol 9h 6h 6h

440V 60 Hz
4pol 5pol 11h 11h

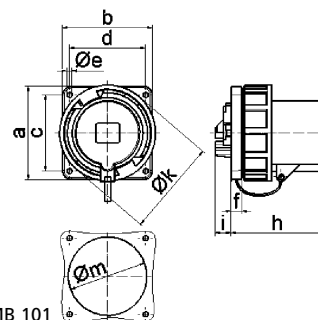
301-500Hz > 50V
3pol 4pol 5pol 2h 2h 2h

9
each

63	3	Order no. 28042	
		Supply No. 5935-12-...	725
		VG type No. VG 96919...	AP 047
63	4	Order no. 28000	
		Supply No. 5935-12-...	
		VG type No. VG 96919...	AP 027
63	5	Order no. 2853	
		Supply No. 5935-12-...	
		VG type No. VG 96919...	AP 009
125	3	Order no. 28043	
		Supply No. 5935-12-...	
		VG type No. VG 96919...	AP 052
125	4	Order no. 28044	
		Supply No. 5935-12-...	
		VG type No. VG 96919...	AP 032
125	5	Order no. 28045	
		Supply No. 5935-12-...	
		VG type No. VG 96919...	AP 013



Fig.: Type 2853



5 MB 101

Ampere Poles	63 3	63 4	63 5	125 3	125 4	125 5
a	110.0	110.0	110.0	120.0	120.0	120.0
b	106.0	106.0	106.0	120.0	120.0	120.0
c	90.0	90.0	90.0	100.0	100.0	100.0
d	90.0	90.0	90.0	100.0	100.0	100.0
e Ø	5.5	5.5	5.5	6.5	6.5	6.5
f	13.0	13.0	13.0	13.0	13.0	13.0
h	114.0	114.0	114.0	121.0	121.0	121.0
i	19.0	19.0	19.0	20.0	20.0	20.0
k Ø	113.5	113.5	113.5	126.0	126.0	126.0
m Ø	93.0	93.0	93.0	104.0	104.0	104.0
Cond. mm² min	6.0	6.0	6.0	16.0	16.0	16.0
Cond. mm² max	16.0	16.0	16.0	50.0	50.0	50.0

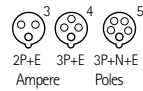
TN CONNECTORS

- Colour: bronze-green RAL 6031-F9
- IEC 60309, EN 60309, VDE 0623, VG 96919
- Protection degree IP67

Connector TE-Plus with Multi-Grip

- Screwless terminals
- Kontex contact
- High-temperature-resistant contact carrier
- Nickel plated contacts
- Special gland, simultaneous cable gland and seal
- Protection degree IP67

(Form DS)



230V 50-60 Hz		
3pol	4pol	5pol
6h	9h	9h

400V 50-60 Hz		
3pol	4pol	5pol
9h	6h	6h

440V 60 Hz		
4pol	5pol	
11h	11h	

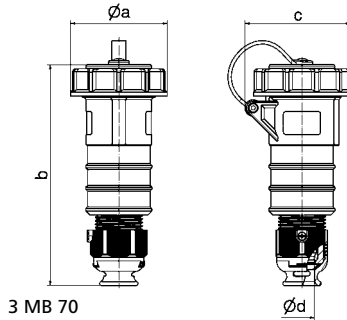
301-500Hz > 50V		
3pol	4pol	5pol
2h	2h	2h

9 each

16	3	Order no.	31162*				310163	180
		Supply No. 5935-12-...	312-5516					
16	4	Order no.	310165	31865	310167	310168	215	
		Supply No. 5935-12-...	DS 020	DS 018	DS 021	DS 022		
16	5	Order no.	31318*	31150*	31319*	31320*	255	
		Supply No. 5935-12-...	DS 002	300-3600	DS 003	DS 004		
32	3	Order no.	31032				310194	325
		Supply No. 5935-12-...	DS 042				DS 044	
32	4	Order no.	310169	31866	310171	310172	355	
		Supply No. 5935-12-...	DS 025	DS 023	DS 026	DS 027		
32	5	Order no.	31321*	31151*	31322*	31323*	410	
		Supply No. 5935-12-...	DS 006	300-3597	DS 007	312-4196		
		VG type No. VG 96919...	DS 008	DS 005	DS 007	DS 008		



Fig.: Type 3151



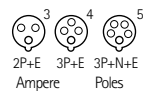
3 MB 70

Ampere Poles	16 3	16 4	16 5	32 3	32 4	32 5
a ø	70.5	78.0	86.5	94.0	94.0	101.5
b	161.0	161.0	168.0	196.0	196.0	200.0
c	77.0	83.0	93.0	99.0	99.0	107.0
d ø	18.0	18.0	21.0	23.0	23.0	27.0
Cond. mm² min	1.0	1.0	1.0	2.5	2.5	2.5
Cond. mm² max	2.5	2.5	2.5	6.0	6.0	6.0

Connector with Multi-Grip

- Screw terminals
- High-temperature-resistant contact carrier
- Box terminals
- Kontex contact
- Nickel plated contacts
- Special gland, simultaneous cable gland and seal
- Screwless enclosure connection, self locking
- Protection degree IP67

(Form DS)



230V 50-60 Hz		
3pol	4pol	5pol
6h	9h	9h

400V 50-60 Hz		
3pol	4pol	5pol
9h	6h	6h

440V 60 Hz		
4pol	5pol	
11h	11h	

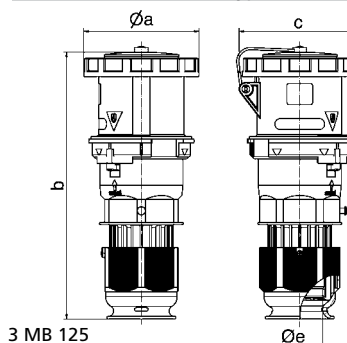
301-500Hz > 50V		
3pol	4pol	5pol
2h	2h	2h

9 each

63	3	Order no.	310058				310177	760
		Supply No. 5935-12-...	DS 047				DS 049	
63	4	Order no.	310174	31877	310175	310176	770	
		Supply No. 5935-12-...	DS 030	DS 028	DS 031	DS 032		
63	5	Order no.	31324*	31152*	31325*	31326*	785	
		Supply No. 5935-12-...	DS 010	300-5326	DS 011	DS 012		
125	3	Order no.	310059				310179	1160
		Supply No. 5935-12-...	DS 052				DS 054	
125	4	Order no.	310180	310060	310182	310183	1255	
		Supply No. 5935-12-...	DS 035	DS 033	DS 036	DS 037		
125	5	Order no.	31327*	31027*	31328*	31329*	1350	
		Supply No. 5935-12-...	DS 014	322-8597	DS 015	DS 016		
		VG type No. VG 96919...	DS 013	DS 015	DS 015	DS 016		



Fig.: Type 31152



3 MB 125

Ampere Poles	63 3	63 4	63 5	125 3	125 4	125 5
a ø	110.0	110.0	110.0	125.0	125.0	125.0
b	263.0	263.0	263.0	300.0	300.0	300.0
c	113.0	113.0	113.0	128.0	128.0	128.0
d ø	36.0	36.0	36.0	50.0	50.0	50.0
Cond. mm² min	6.0	6.0	6.0	16.0	16.0	16.0
Cond. mm² max	16.0	16.0	16.0	50.0	50.0	50.0

* Approval according to VG 96919

DOMESTIC PLUGS AND SOCKETS

- Colour: bronze-green RAL 6031-F9
- VDE 0623, VG 96926
- Protection degree IP68

Domestic Panel Mounting Socket Outlet

- Screw terminals
- Nickel plated contacts
- 16A/230 V~
- Flange 75 x 75 mm
- Protection degree IP68

(Form AS)

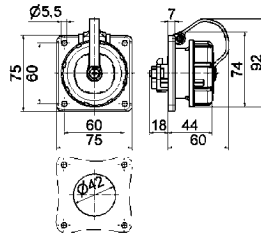


Fig.: Type 7108

18 MB 19

Order no. Supply No. VG type No.
5935-12-... VG 96926...

German system **7108*** 312-5115 AS 001

Belgian/French system **7185**

Domestic Panel Mounting Socket Outlet

- Screw terminals
- Nickel plated contacts
- 16A/230 V~
- Protection degree IP68

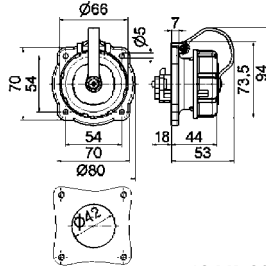


Fig.: Type 7114

18 MB 20

Order no.

German system **7114**

Belgian/French system **71031**

Domestic Panel Mounting Socket Outlet

- Screw terminals
- Nickel plated contacts
- 16A/230 V~
- Protection degree IP68

(Form BS)

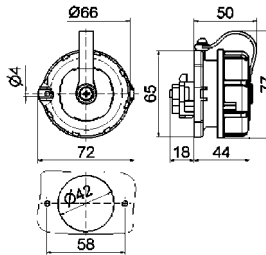


Fig.: Type 7115

18 MB 21

Order no. Supply No. VG type No.
5935-12-... VG 96926...

German System **7115*** 314-4770 BS 001

Belgian/French system **7186**

Domestic Plug

- Screw terminals
- Nickel plated contacts
- 16A/230 V~
- With closure cap
- Protection degree IP68

(Form CP)

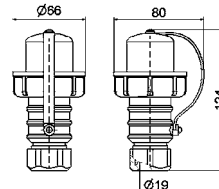


Fig.: Type 735

18 MB 18

Order no. Supply No. VG type No.
5935-12-... VG 96926...

735* 141-3149 CP 001

Domestic Appliance Inlet with Flange

- Screw terminals
- Nickel plated contacts
- 16A/230 V~
- With closure cap
- Flange 75 x 75 mm
- Protection degree IP68

(Form AP)

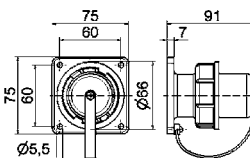


Fig.: Type 753

18 MB 16

Order no. Supply No. VG type No.
5935-12-... VG 96926...

753* 340-7272 AP 001

Domestic Connector

- Screw terminals
- Nickel plated contacts
- 16A/230 V~
- Protection degree IP68

(Form DS)

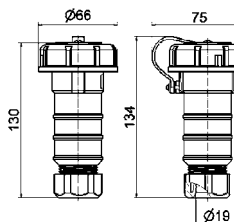


Fig.: Type 745

18 MB 26

Order no. Supply No. VG type No.
5935-12-... VG 96926...

German system **745*** 314-4771 DS 001

Belgian/French system **7424**

* Approval according to VG 96919

DOMESTIC PLUGS AND SOCKETS/ ACCESSORIES

- Colour: bronze-green RAL 6031-F9
- VDE 0623, VG 96926
- Protection degree IP68

Domestic Three-way Connector

- Screw terminals
- Nickel plated contacts
- 16A/230 V~
- With closure cap, hanging bracket, cable gland
- Protection degree IP68

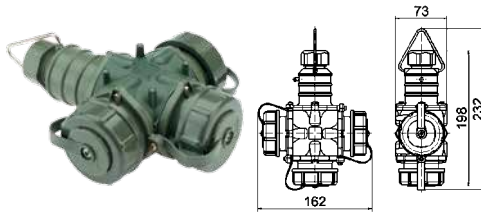


Fig.: Type 7400

18 MB 27

Order no.

German system **7400**

Belgian/French system **7423**

Closure Cap with Strap

- for CEE plugs



Fig.: Type 8337

Ampere/ poles Order no. Supply No. VG type No.
5935-12-... VG 96926...

16A/ 3p **8335**

16A/ 4p **8336**

16A/ 5p **8337**

32A/ 3p, 4p **8338**

32A/ 5p **8339**

63A/ 3p, 4p, 5p **8340**

125A/ 3p, 4p, 5p **8341**

Hinged Window

- Self-closing
- With touch protection
- With option for lock set

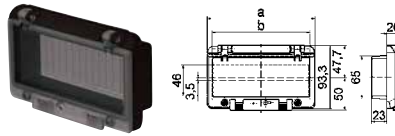


Fig.: Type 58110

30 MB 096

Module units	Dimension		Order no.
	a	b	
2	55.0	40.5	580138
4	91.0	76.5	58388
6	127.0	112.5	58590
8	162.0	147.5	58110
12	234.0	220.0	58111
13	257.5	248.5	58387

Hinged Window

- Self-closing
- Without touch protection
- With option for lock set

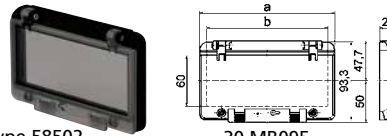


Fig.: Type 58502

30 MB095

Module units	Dimension		Order no.
	a	b	
2	55.0	37.0	58511
4	91.0	73.0	580020
6	127.0	109.0	58503
8	162.0	144.5	58502
12	234.0	217.0	58602
13	257.5	240.0	58607

Hinged Window

- Self-closing
- With touch protection
- With option for lock set
- With mounting bracket

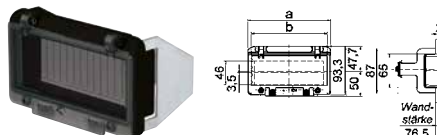


Fig.: Type 58143

30 MB 097

Module units	Dimension		Order no.
	a	b	
2	55.0	40.5	580137
4	91.0	76.5	58517
6	127.0	112.5	580141
8	162.0	147.5	580143
12	234.0	220.0	580144
13	257.5	248.5	580145

In the case of hinged windows for use with DIN screws (order no. 58036), add -GWE to the end of the order number.

Order no. **58037-BE**

Lock set

- Protection against unauthorised use by means of retrofittable lock



Order no. **58036**

DIN screw

- For additional locking device
- Retrofittable



Can only be used in operating windows with order No.-GWE.



IEC

Marking of electric devices is defined in IEC 60079-0 issued in 2004 for explosive gas atmospheres and in IEC 61241-0 issued in 2004 for areas with combustible dusts. In addition to the manufacturer's name or trade mark, type designation, serial number, and the test centre with certificate number, a special coding is required that describes the intended use of the device:

- > Ex-symbol
- > Symbol of every type of protection that has been applied

The associated electrical devices that are meant to be installed in the hazardous areas, have to be marked with the symbols for the type of protection in squared brackets, e.g. Ex d[ia] IIC T4.
- > Group II, IIA, IIB or IIC for potentially explosive gas atmospheres
- > Temperature class for areas with potentially explosive gas atmospheres or max. surface temperature in °C for areas in which combustible dusts may be present.

Examples:
Ex d e IIC T4
Ex d [ia] IIB T5
Ex mbD T120°C

The types of protection have to clearly show which level they achieve. Some types of protection already contain the appropriate symbol (e.g. ia): With others the letter a, b or c has to be added d -> db

Example:
Ex db eb IIC T4
Ex db [ia] IIB T5

The second variant (called alternate marking in the standard) is preferentially used.

With this standard, groups for areas where potentially explosive dusts may be present have been introduced as well:

IIIA: combustible flyings
IIB: non-conductive dust
IIC: conductive dust
Example for marking of dust:
Ex tb IIB T120°C

Europe

In Europe, in addition to the marking according to the standard the requirements pursuant to EC-Directive 94/9/EC (ATEX 95) have to be met as well:

- > Manufacturer's address
- > Symbol **CE** and the identification number of the notified body
- > and category 1, 2 or 3, as well as group II and the letter G (gases) or D (dust)

Example: **Ex** 2 II G

Previously, »Ex« was replaced by »EEx« in Europe, if the marking was done pursuant to the standard. Reference has thus been made to the European Standards (EN 50014 ff), which differed from the IEC-standards at that time. With the current editions of the standards this is no longer required, thus devices in Europe are only marked »Ex« now as well.

Up until now standards for non-electrical devices have only been developed by CEN in Europe. Such standards do not yet exist on an international level. Marking closely follows the marking of electrical devices.

Exceptions:

- > Ex is not stated, as with ATEX the **Ex**-sign already refers to explosion protection
- > Ignition protection level is not given. Alternative marking is not used either. The equipment protection level has to be defined with the category.

A summary of the topic marking of electrical and non-electrical devices can be found in the enclosure 7.7 and 7.8.

Russia

Marking of explosion-protected electrical equipment is done according to GOST R 51330.0-99 and according to the standards for the individual types of protection.

Marking of explosion protection contains:

- > the level of explosion protection
- > Ex-symbol
- > symbol of the types of protections that have been applied
- > equipment group (I, II or IIA, IIB, IIC)
- > temperature class

symbol X, when special conditions have to be observed for safe use or if the product is an Ex-component.

North America

In addition to such data as for example, manufacturer, type, serial number and electrical data, data concerning explosion protection must be included in the marking of the equipment. Specifications are given in NEC, CEC and the respective construction regulations of the test centres.

Class I, II & III, Division 1 and 2
Approved electrical equipment for Class I, Class II and Class III, Division 1 and Division 2 has to be marked with the following data:

1. Class(es), Division(s)

(optional, except for Division 2)
2. Gas-/dust-group(s)
3. Operating temperature or temperature class

(optional for T5 and T6)

Example: Class I Division 1 Groups C D T4

Class I, Zone 0, 1 and 2

For equipment for use in Class I, Zone 0, Zone 1 or Zone 2 a difference is made between »Division Equipment« and »Zone Equipment«.

(1) Division Equipment

Equipment approved for Class I, Division 1 and/or Class I, Division 2 may be marked with the following data:

1. Class I, Zone 1 or Class I, Zone 2
2. Gas group(s) IIA, IIB or IIC
3. Temperature class
4. Types of protection

Example: Class I Zone 1 d,e IIC T4

(2) Zone Equipment

Equipment complying with several types of protection pursuant to Article 505 of NEC and section 18 of CEC have to be marked as follows:

1. Class (optional in Canada)
2. Zone (optional in Canada)
3. Symbol AEx (USA) or Ex or EEx (Canada)
4. Symbol of the type(s) of protection that have been applied
5. Group of the electrical equipment II or gas group(s) IIA, IIB or IIC
6. Temperature class

Example: Class I Zone 0 AEx ia IIC T6



IP66 through bayonet locks, even while plugged in



Plug with IP66 in every position



100% backwards compatible with the CES series

Type of protection	standard symbol	alternate symbol	Zone	Main application	Standard
increased safety	e	eb	1	terminal and junction boxes, cage induction motors, light fittings	IEC 60079-7 EN 60079-7
flameproof enclosures	d	db	1	switchgear, control stations, motors,	IEC 60079-1 EN 60079-1
pressurized enclosures	px	pxb	1	switchgear and control cabinets, analysers, large motors	IEC 60079-2 / IEC 61241-4 EN 60079-2 / EN 61241-4
	py	pyb	1		
	pz	pzc	2		
	p	pb	21		
		pc	22		
intrinsic safety	ia	ia	0, 20	instrumentation technology, field-bus technology, sensors, actuators	IEC 60079-11 / IEC 61241-11 EN 60079-11 / EN 61241-11
	ib	1, 21			
	ic	2			
oil immersion	o	ob	1	transformers, starting resistors	IEC 60079-6 EN 60079-6
powder filling	q	qb	1	sensors, electronic ballasts, electronic devices	IEC 60079-5 EN 60079-5
encapsulation	ma	ma	0, 20	display units, sensors, electronic devices	IEC 60079-18 / IEC 61241-18 EN 60079-18 / EN 61241-18
	mb	mb	1, 21		
	mc	mc	2, 22		
type of protection „n“	n_	n_c	2	electrical apparatus for Zone 2	IEC 60079-15 EN 60079-15
protection by enclosures	ta	ta	20	switchgear and control station, terminal and connection boxes, control boxes, motors, light fittings	IEC 60079-31 / IEC 61241-1 EN 60079-31 / EN 61241-1
	tb	tb	21		
	tc	tc	22		

Marking of electrical equipment



mines		
Group I		Methane
explosive gas atmosphere		
Group II	IIA	Propane
	IIB	Ethylene
	IIC	Hydrogene
explosive dust atmosphere		
Group III	IIIA	combustible flyings
	IIIB	non-conductive dust
	IIIC	conductive dust

Type of protection

ATEX-marking

II 2G Ex db [ia] IIC T6

max. surface temperature

equipment-group I: mines; equipment-group II: other places

hazardous places	Zone 0	Zone 20	Zone 1	Zone 21	Zone 2	Zone 22	mines
	Dangerous explosive atmosphere	continuously or long-term or frequently		likely to occur		not likely to occur or for short period	
equipment category	1G	1D	2G	2D	3G	3D	M1 or M2
EPL* (IEC/EN 60079-0)	Ga	Da	Gb	Db	Gc	Dc	Ma or Mb

* when not using the alternate symbols the EPL shall be specified: e.g. Ex d [iaGa] IIC T6 Gb

Copyright R. STAHL Schaltgeräte GmbH

explosive gas atmosphere: temperature classes

450 °C	T1
300 °C	T2
200 °C	T3
135 °C	T4
100 °C	T5
85 °C	T6

explosive dust atmosphere: surface temperature

T ... °C (e.g.: T 80°C)



- Various versions:
 - Extra-low voltage, 16A
- Large handle, can be locked in position 0 and 1
- German switch position indicator
- Optimal contact by means of self-cleaning laminated contacts
- Low plugging and pulling forces through floating pins



Various versions



- With motor switching capacity AC-3 acc. to IEC/EN 60947-3
- Optional auxiliary contacts for control and signalling purposes
- IP66 in any application position

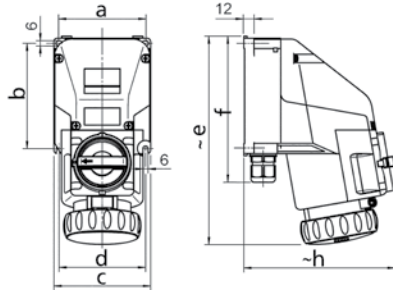
Surface Mounting Socket Outlet

- For use in Zone 2 and 22
- Large handle, can be locked in position 0 and 1
- Optimal contact by means of self-cleaning laminated contacts
- Low plugging and pulling forces
- With motor switching capacity AC-3 acc. to IEC/EN 60947-3
- Optional auxiliary contacts for control and signalling purposes
- IP66 in any application position
- Acc. to EX II 3 G EEx nAC IIC T6 (16A), EX II 3 G EEx nAC IIC T6,T5 (32A)
- Cable entry: 1x M25 & 1x sealing plug M25 (16A), 1x M32 & 1x sealing plug M32 (32A)

3		4		5		110V 50-60 Hz			230V 50-60 Hz			400V 50-60 Hz			500V 50-60 Hz			9 each	
2P+E Ampere		3P+E Poles		3P+N+E Poles		3pol	4pol	5pol	3pol	4pol	5pol	3pol	4pol	5pol	3pol	4pol	5pol	Qty	each
16	3																1	1120	
16	4																1	1350	
16	5																1	1450	
32	4																1	2000	
32	5																1	2200	



Bals no. 160517



MB 10333E00

Ampere	16	16	16	32	32
Poles	3	4	5	4	5
a	94.0	104.0	104.0	124.0	124.0
b	115.0	125.0	125.0	150.0	150.0
c	105.0	115.0	115.0	135.0	135.0
d	93.0	103.0	103.0	123.0	123.0
e	232.0	248.0	248.0	281.0	281.0
f	164.0	174.0	174.0	204.0	204.0
h	168.0	181.0	181.0	207.0	207.0

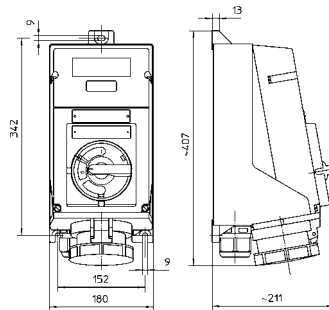
Surface Mounting Socket Outlet

- For use in Zone 2 and 22
- Large handle, can be locked in position 0 and 1
- Optimal contact by means of self-cleaning laminated contacts
- Low plugging and pulling forces
- With motor switching capacity AC-3 acc. to IEC/EN 60947-3
- Optional auxiliary contacts for control and signalling purposes
- IP66 in any application position
- Acc. to EX II 3 G EEx nAC IIC T6, T5, T4 (63A)
- Cable entry: 1x M50 & 1x sealing plug M25 (63A)

3		4		5		110V 50-60 Hz			230V 50-60 Hz			400V 50-60 Hz			500V 50-60 Hz			9 each	
2P+E Ampere		3P+E Poles		3P+N+E Poles		3pol	4pol	5pol	3pol	4pol	5pol	3pol	4pol	5pol	3pol	4pol	5pol	Qty	each
63	4																1	7900	
63	5																1	7800	



Bals no. 160519



MB 04508E00

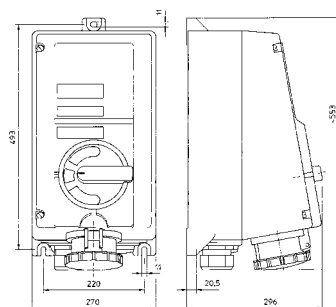
Surface Mounting Socket Outlet

- For use in Zone 2 and 22
- Large handle, can be locked in position 0 and 1
- Optimal contact by means of self-cleaning laminated contacts
- Low plugging and pulling forces
- With motor switching capacity AC-3 acc. to IEC/EN 60947-3
- Optional auxiliary contacts for control and signalling purposes
- IP66 in any application position
- Acc. to EX II 3 G EEx nAC IIC T6, T5 (32 & 125A)
- Cable entry: 1x M63 & 1x sealing plug M25 & 1x M63 (125A)

3		4		5		110V 50-60 Hz			230V 50-60 Hz			400V 50-60 Hz			500V 50-60 Hz			9 each	
2P+E Ampere		3P+E Poles		3P+N+E Poles		3pol	4pol	5pol	3pol	4pol	5pol	3pol	4pol	5pol	3pol	4pol	5pol	Qty	each
125	4																1	20.920	
125	5																1	22.040	



Bals no. 160521



MB 04504E00

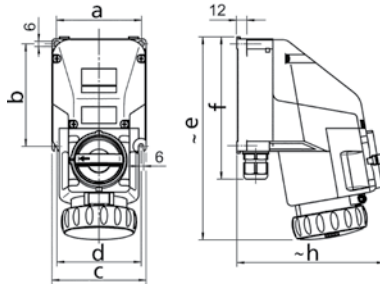
Surface Mounting Socket Outlet

- For use in Zone 1 and 21
- Large handle, can be locked in position 0 and 1
- Optimal contact by means of self-cleaning laminated contacts
- Low plugging and pulling forces
- With motor switching capacity AC-3 acc. to IEC/EN 60947-3
- Optional auxiliary contacts for control and signalling purposes
- IP66 in any application position
- Acc. to EX de IIC T6, with intrinsically safe auxiliary contacts Ex de(ia) IIC T6 - gas explosion protection, EX tD A21 IP66 T80°C - dust explosion protection - 16A, EX de IIC T6 T5, with intr. safe aux. contacts Ex de(ib) IIC T6 T5 - gas explosion protection - 32-125A, EX tD A21 IP66 - dust explosion protection- 32-125A
- Cable entry: 1x M25 & 1x sealing plug M25 (16A), 1x M32 & 1x sealing plug M32 (32A)

		110V 50-60 Hz	230V 50-60 Hz	400V 50-60 Hz	500V 50-60 Hz				
2P+E Ampere	3P+E 3P+N+E Poles	3pol 4h	4pol 4h	5pol 4h	3pol 4pol 5pol 6h 9h 9h	3pol 4pol 5pol 7h 7h 7h	Qty	each	
16	3	160522					1	1120	
16	4				160523			1	1350
16	5				160524			1	1450
32	4				160525			1	2000
32	5				160526			1	2200



Bals no. 160526



MB 10338E00

Ampere Poles	16 3	16 4	16 5	32 4	32 5
a	94.0	104.0	104.0	124.0	124.0
b	115.0	125.0	125.0	150.0	150.0
c	105.0	115.0	115.0	135.0	135.0
d	93.0	103.0	103.0	123.0	123.0
e	232.0	248.0	248.0	281.0	281.0
f	164.0	174.0	174.0	204.0	204.0
h	168.0	181.0	181.0	207.0	207.0

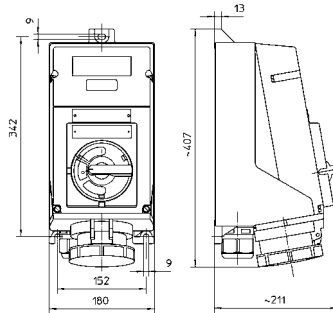
Surface Mounting Socket Outlet

- For use in Zone 1 and 21
- Large handle, can be locked in position 0 and 1
- Optimal contact by means of self-cleaning laminated contacts
- Low plugging and pulling forces
- With motor switching capacity AC-3 acc. to IEC/EN 60947-3
- Optional auxiliary contacts for control and signalling purposes
- IP66 in any application position
- Acc. to EX de IIC T6 T5, with intrinsically safe auxiliary contacts Ex de(ia) IIC T6 T5 - gas explosion protection - 32-125A
- Acc. to EX tD A21 IP66 - dust explosion protection - 32 - 125A
- Cable entry: 1x M50 & 1x sealing plug M25 (63A)

		110V 50-60 Hz	230V 50-60 Hz	400V 50-60 Hz	500V 50-60 Hz				
2P+E Ampere	3P+E 3P+N+E Poles	3pol 4h	4pol 4h	5pol 4h	3pol 4pol 5pol 6h 9h 9h	3pol 4pol 5pol 7h 7h 7h	Qty	each	
63	4				160527			1	7800
63	5				160528			1	7800



Bals no. 160528



MB 04508E00

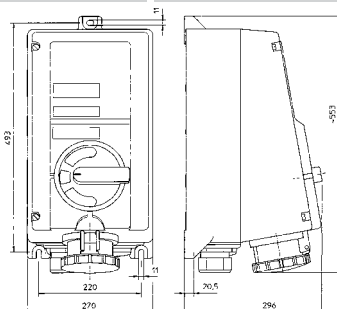
Surface Mounting Socket Outlet

- For use in Zone 1 and 21
- Large handle, can be locked in position 0 and 1
- Optimal contact by means of self-cleaning laminated contacts
- Low plugging and pulling forces
- With motor switching capacity AC-3 acc. to IEC/EN 60947-3
- Optional auxiliary contacts for control and signalling purposes
- IP66 in any application position
- Acc. to EX de IIC T6 T5, with intrinsically safe auxiliary contacts Ex de(ia) IIC T6 T5 - gas explosion protection - 32-125A
- Acc. to EX tD A21 IP66 - dust explosion protection - 32 - 125A
- Cable entry: 1x M63 & 1x sealing plug M25 + 1x M63 (125A)

		110V 50-60 Hz	230V 50-60 Hz	400V 50-60 Hz	500V 50-60 Hz				
2P+E Ampere	3P+E 3P+N+E Poles	3pol 4h	4pol 4h	5pol 4h	3pol 4pol 5pol 6h 9h 9h	3pol 4pol 5pol 7h 7h 7h	Qty	each	
125	4				160529			1	20.800
125	5				160530			1	21.400



Bals no. 160530



MB 04504E00

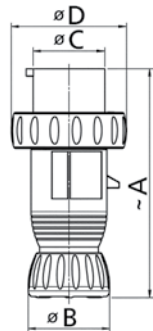
Plug

- For use in Zone 2 and 22
- Low plugging and pulling forces through floating pins
- Optional auxiliary contacts for control and signalling purposes
- IP66 in any application position
- Acc. to EX II 3 G EEx nAC IIC T6 (16A)
- Acc. to EX II 3 G EEx nAC IIC T6, T5 (32A)
- Temp. -20...+40°C, (-50...+55°C on request)
- Cable diameter 8...20 mm (16A)
- Cable diameter 12...28 mm (32A)

3P+E		3P+N+E		110V 50-60 Hz	230V 50-60 Hz	400V 50-60 Hz	500V 50-60 Hz	Qty	each
2P+E Ampere	3P+E Poles	3P+N+E Poles	5 Poles	3pol 4pol 5pol 4h 4h 4h	3pol 4pol 5pol 6h 9h 9h	3pol 4pol 5pol 9h 6h 6h	3pol 4pol 5pol 7h 7h 7h		
16	3			211079			1	310	
16	4					211080			1 380
16	5					211081			1 430
32	4					211082			1 500
32	5					211083			1 600



Bals no. 211083



MB 10340E00

Ampere	16	16	16	32	32
Poles	3	4	5	4	5
A	176.0	176.0	176.0	204.0	204.0
ø B	60.0	60.0	60.0	72.0	72.0
ø C	43.5	49.0	56.5	57.0	63.4
ø D	76.0	89.0	92.0	99.0	102.0

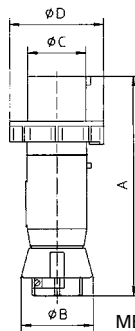
Plug

- For use in Zone 2 and 22
- Low plugging and pulling forces through floating pins
- Optional auxiliary contacts for control and signalling purposes
- IP66 in any application position
- Acc. to EX II 3 G EEx nAC IIC T6, T5, T4 (63A)
- Acc. to EX II 3 G EEx nAC IIC T6, T5 (125A)
- Temp. -20...+40°C, (-50...+55°C on request)
- Cable diameter 24...36 mm (63A)
- Cable diameter 30...50 mm (125A)

3P+E		3P+N+E		110V 50-60 Hz	230V 50-60 Hz	400V 50-60 Hz	500V 50-60 Hz	Qty	each
2P+E Ampere	3P+E Poles	3P+N+E Poles	5 Poles	3pol 4pol 5pol 4h 4h 4h	3pol 4pol 5pol 6h 9h 9h	3pol 4pol 5pol 9h 6h 6h	3pol 4pol 5pol 7h 7h 7h		
63	4					211084			1 935
63	5					211085			1 990
125	4					211086			1 1280
125	5					211087			1 1380



Bals no. 211087



MB 04511E00

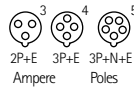
Ampere	63	63	125	125
Poles	4	5	4	5
A	268.5	268.5	310.5	310.5
ø B	84.0	84.0	96.0	96.0
ø C	69.5	69.5	82.0	82.0
ø D	112.0	112.0	125.0	125.0

EX DEVICES FOR ZONE 1 AND 21

■ For occasional hazardous explosive atmospheres

Plug

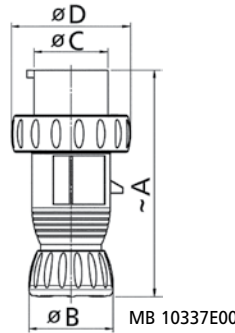
- For use in Zone 1 and 21
- Low plugging and pulling forces through floating pins
- Optional auxiliary contacts for control and signalling purposes
- IP66 in any application position
- Acc. to EX de IIC T6, with intrinsically safe auxiliary contacts Ex de(ia) IIC T6 - gas explosion protection - 16A.
- Acc. to EX tD A21 IP66 - dust explosion protection - 16A
- Acc. to EX de IIC T6 T5, with intrinsically safe auxiliary contacts Ex de(ia) IIC T6 T5 - gas explosion protection - 32A.
- Acc. to EX tD A21 IP66 - dust explosion protection - 32A
- For temp., see explosion protection details (-50°C on request - with internal lubrication with silicone grease)
- Cable diameter 8...20 mm (16A)/ 12...28 mm (32A)



Ampere	Poles	110V 50-60 Hz	230V 50-60 Hz	400V 50-60 Hz	500V 50-60 Hz	Qty	each
16	3		211088			1	420
16	4			211089		1	380
16	5			211090		1	430
32	4			211091		1	500
32	5			211092		1	600



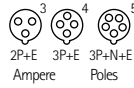
Bals no. 211092



Ampere	16	16	16	32	32
Poles	3	4	5	4	5
A	176.0	176.0	176.0	204.0	204.0
ø B	60.0	60.0	60.0	72.0	72.0
ø C	43.5	49.0	56.5	57.0	63.4
ø D	76.0	89.0	92.0	99.0	102.0

Plug

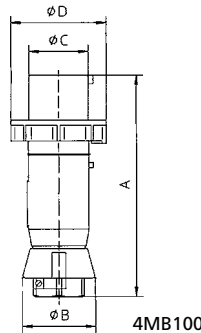
- For use in Zone 1 and 21
- Low plugging and pulling forces through floating pins
- Optional auxiliary contacts for control and signalling purposes
- IP66 in any application position
- Acc. to EX de IIC T6 T5, with intrinsically safe auxiliary contacts Ex de(ia) IIC T6 T5 - gas explosion protection - 32-125A.
- Acc. to EX tD A21 IP66 - dust explosion protection - 32 - 125A
- For temp., see explosion protection details (-50°C on request - with internal lubrication with silicone grease)
- Cable diameter 24...36 mm (63A)
- Cable diameter 30...50 mm (125A)



Ampere	Poles	110V 50-60 Hz	230V 50-60 Hz	400V 50-60 Hz	500V 50-60 Hz	Qty	each
63	4			211093		1	880
63	5			211094		1	940
125	4			211095		1	1280
125	5			211096		1	1380



Bals no. 211096



Ampere	63	63	125	125
Poles	4	5	4	5
A	268.5	268.5	310.5	310.5
ø B	84.0	84.0	96.0	96.0
ø C	69.5	69.5	82.0	82.0
ø D	112.0	112.0	125.0	125.0

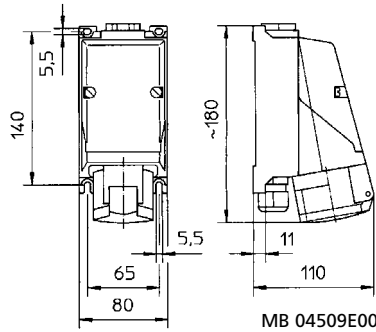
Surface Mounting Socket Outlet - Extra-Low Voltage

- For use in Zone 2 and 22
- 16 A version for extra-low voltages up to 50 V
- Optimal contact by means of self-cleaning laminated contacts
- Protection degree IP66 (IP55 while plugged in)
- Acc. to EX II 3 G EEx nAC IIC T6, T5
- Temp. -20...+40°C, (-50...+55°C on request)
- Cable entry: 1x M25 & 1x sealing plug M25

Ampere	Poles	24V 50-60 Hz	42V 50-60 Hz	bis 50V	Qty	g each
16	2	41080	41082	41081	1	920
16	3	41083	41084		1	940



Bals no. 41083



MB 04509E00

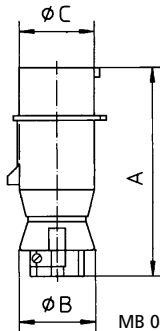
Plug - Extra-Low Voltage

- For use in Zone 2 and 22
- 16 A version for extra-low voltages up to 50 V
- Low plugging and pulling forces through floating pins
- Protection degree IP54
- Acc. to EX II 3 G EEx nAC IIC T6, T5
- Temp. -20...+40°C, (-50...+55°C on request)
- Cable diameter 11...21 mm

Ampere	Poles	24V 50-60 Hz	42V 50-60 Hz	bis 50V	Qty	g each
16	2	44074	44076	44075	1	220
16	3	44077	44078		1	230



Bals no. 44077



MB 04510E00

Ampere	16	16				
Poles	2	3				
A	140.0	140.0				
ø B	53.0	53.0				
ø C	42.0	42.0				

EX DEVICES FOR ZONE 1, 2 AND 21, 22

■ For occasional hazardous explosive atmospheres

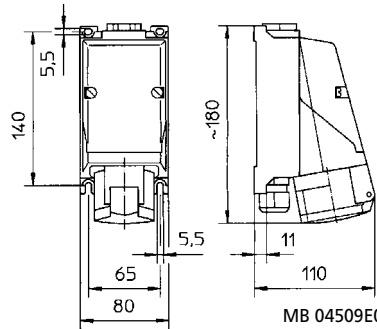
Surface Mounting Socket Outlet - Extra-Low Voltage

- For use in Zone 1 and 21
- 16 A version for extra-low voltages up to 50 V
- Optimal contact by means of self-cleaning laminated contacts
- Protection degree IP54
- Acc. to EX II 2 G Ex de IIC T6
- Temp. -30...+45°C, (-45°C on request - internal lubrication with silicone grease)
- Cable entry: 1x M25 & 1x sealing plug M25

Ampere	Poles	24V 50-60 Hz	42V 50-60 Hz	bis 50V	Qty	g each
16	2	41085	41087	10h	1	920
16	3	41088	41089	12h	1	940



Bals no. 41088



MB 04509E00

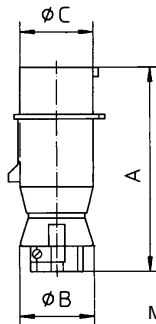
Plug - Extra-Low Voltage

- For use in Zone 1 and 21
- 16A version for extra-low voltages up to 50 V
- Low plugging and pulling forces through floating pins
- Protection degree IP54
- Acc. to EX II 2 G Ex de IIC T6
- Temp. -30...+45°C, (-45°C on request - internal lubrication with silicone grease)
- Cable diameter 11...21 mm

Ampere	Poles	24V 50-60 Hz	42V 50-60 Hz	bis 50V	Qty	g each
16	2	44079	44081	10h	1	220
16	3	44082	44083	12h	1	230



Bals no. 44082



MB 04510E00

Ampere	Poles	16	16				
A	2	140.0	140.0				
ø B		53.0	53.0				
ø C		42.0	42.0				

Cable Reel

- Zone 1, 2
- Protection degree IP54



Bals no. 8955



Bals no. 8956

16A, 230V, 3p, 6H,
with 30m Proflex cable, 3x2.5mm²

Bals no.

8955

16A, 400V, 5p, 6H,
with 30m Proflex cable, 5x2.5mm²

8956

Socket Distributor

- Zone 1, 2, 21, 22
- Protection degree IP54



Bals no.

On request



Panel Mounting Socket Outlet Quick-Connect

- Screwless terminals
- Kontex contact
- Flange 75 x 75 mm
- Protection degree IP44



Fig.: Type 130274

2P+E Ampere	3P+E Poles	230V 50-60 Hz			400V 50-60 Hz			Qty	g each
		3pol 6h	4pol 9h	5pol 9h	3pol 9h	4pol 6h	5pol 6h		
16	3	130269					10	110	
16	4				130270			10	150
16	5				130271			10	170
32	3	130272					10	190	
32	4				130273			10	205
32	5				130274			10	225

Panel Mounting Socket Outlet

- Screw terminals
- Flange 107 x 100 mm
- Kontex contact
- Nickel plated contacts
- Box terminals
- Protection degree IP44



Fig.: Type 130276

2P+E Ampere	3P+E Poles	230V 50-60 Hz			400V 50-60 Hz			Qty	g each
		3pol 6h	4pol 9h	5pol 9h	3pol 9h	4pol 6h	5pol 6h		
63	3	130275					5	415	
63	5				130276			5	490

Dimension drawing: see page 58/1 (4 MB 8)

Panel Mounting Socket Quick-Connect

- Screwless terminals
- 20° angled
- Kontex contact
- Flange 85 x 85 mm
- Protection degree IP44



Fig.: Type 120441

2P+E Ampere	3P+E Poles	230V 50-60 Hz			400V 50-60 Hz			Qty	g each
		3pol 6h	4pol 9h	5pol 9h	3pol 9h	4pol 6h	5pol 6h		
16	3	120436					10	120	
16	4				120437			10	140
16	5				120438			10	145
32	3	120439					10	200	
32	4				120440			10	230
32	5				120441			10	265

Dimension drawing: see page 59/3 (4 MB 264)

Plug Quick-Connect

- Screwless terminals
- Screwless enclosure connection, snap-in lock
- Special gland, simultaneous cable gland and seal
- Protection degree IP44



Fig.: Type 210791

2P+E Ampere	3P+E Poles	230V 50-60 Hz			400V 50-60 Hz			Qty	g each
		3pol 6h	4pol 9h	5pol 9h	3pol 9h	4pol 6h	5pol 6h		
16	3	211103					10		
16	4				210916			10	
16	5				211104			10	
32	3	210788					10		
32	4				210747			10	
32	5				210791			10	

Dimension drawing: see page 78/1 (2 MB 99)

Plug TE with Multi-Grip

- Screw terminals
- Box terminals
- High-temperature-resistant contact carrier
- Nickel plated contacts
- Enclosure connection with thread and snap-in lock
- Special gland, simultaneous cable gland and seal
- Protection degree IP44



Fig.: Type 210792

2P+E Ampere	3P+E Poles	230V 50-60 Hz			400V 50-60 Hz			Qty	g each
		3pol 6h	4pol 9h	5pol 9h	3pol 9h	4pol 6h	5pol 6h		
63	3	210735					5	535	
63	4				211102			5	595
63	5				210792			5	650

Dimension drawing: see page 78/3 (2 MB 158)

Plug TE with Multi-Grip

- Screw terminals
- Box terminals
- High-temperature-resistant contact carrier
- Nickel plated contacts
- Screwless enclosure connection, snap-in lock
- Special gland, simultaneous cable gland and seal
- Protection degree IP67



Fig.: Type 210711

2P+E Ampere	3P+E Poles	230V 50-60 Hz			400V 50-60 Hz			Qty	g each
		3pol 6h	4pol 9h	5pol 9h	3pol 9h	4pol 6h	5pol 6h		
125	5				210711			5	1235

Dimension drawing: see page 80/1 (2 MB 214)

Appliance Inlet Quick-Connect with Flange

- Screwless terminals
- Kontex contact
- Flange 75 x 75 mm
- Protection degree IP44



Fig.: Type 28298

2P+E Ampere	3P+E Poles	230V 50-60 Hz			400V 50-60 Hz			Qty	g each
		3pol 6h	4pol 9h	5pol 9h	3pol 9h	4pol 6h	5pol 6h		
16	3	28312					10	90	
16	4				28313			10	105
16	5				28314			10	125
32	3	28315					10	145	
32	4				28316			10	165
32	5				28298			10	195

Dimension drawing: see page 93/1 (5 MB 85)

Connector Quick-Connect with Multi-Grip

- Screwless terminals
- Enclosure connection with thread and snap-in lock
- Kontex contact
- Special gland, simultaneous cable gland and seal
- Protection degree IP44



Fig.: Type 310517

2P+E Ampere	3P+E Poles	230V 50-60 Hz			400V 50-60 Hz			Qty	g each
		3pol 6h	4pol 9h	5pol 9h	3pol 9h	4pol 6h	5pol 6h		
16	3	310512					10		
16	4				310607			10	
16	5				310515			10	
32	3	310513					10		
32	4				310489			10	
32	5				310517			10	

Dimension drawing: see page 99/1 (3 MB 65)

Connector with Multi-Grip

- Screw terminals
- Box terminals
- High-temperature-resistant contact carrier
- Kontex contact
- Nickel plated contacts
- Screwless enclosure connection, snap-in lock
- Special gland, simultaneous cable gland and seal
- Protection degree IP44



Fig.: Type 310518

2P+E Ampere	3P+E Poles	230V 50-60 Hz			400V 50-60 Hz			Qty	g each
		3pol 6h	4pol 9h	5pol 9h	3pol 9h	4pol 6h	5pol 6h		
63	3	310488					5	590	
63	4				310749			5	630
63	5				310518			5	670

Dimension drawing: see page 99/3 (3 MB 107)

Connector with Multi-Grip

- Screw terminals
- Box terminals
- High-temperature-resistant contact carrier
- Kontex contact
- Nickel plated contacts
- Enclosure connection with thread and snap-in lock
- Special gland, simultaneous cable gland and seal
- Protection degree IP67



Fig.: Type 310466

2P+E Ampere	3P+E Poles	230V 50-60 Hz			400V 50-60 Hz			Qty	g each
		3pol 6h	4pol 9h	5pol 9h	3pol 9h	4pol 6h	5pol 6h		
125	5				310466			5	1300

Dimension drawing: see page 101/1 (3 MB 69)

Cable Gland Multi-Grip with Additional Strain Relief

In black for plugs and connectors with Multi-Grip cable gland



Fig.: Type

	Order no.
for 16A/ 3p, 4p TE + TE-Plus,	
16A/ 3p, 4p, 5p QC + TLS	29951
for 16A/ 5p TE + TE-Plus	29151
for 32A/ 5p TE + TE-Plus	29152
for 63A/ 3p, 4p, 5p TE + TE-Plus	29153
for 125A/ 3p, 4p, 5p TE	29154

Domestic Panel Mounting Socket Outlet

- 16A 250V ~
- Screw terminals
- Nickel plated contacts
- Without hinged lid
- Connection at rear
- Protection degree IP20

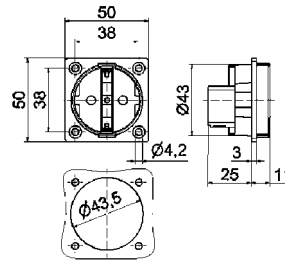


Fig.: Type 714

18 MB 1

Colour	Order no.	Qty
black	714	20

Domestic Panel Mounting Socket Outlet

- 16A 250V ~
- Screwless terminals
- Nickel plated contacts
- With moulded flange seal
- Flange 50 x 50 mm
- Mounting dimension 38 x 38 mm
- Connection terminal in accordance with BGV A2
- Polyamide 6 contact carrier
- Protection degree IP54

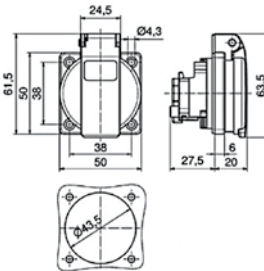


Fig.: Type 71101

18 MB 102

Version	Colour	Order no.	Qty
Quick-Connect	black	71101	20
Screw terminal	black	71097	20

Domestic Plug

- With Multi-Grip cable gland
- Spacious connection area
- Also suitable for Belgian/French system
- Protection degree IP44

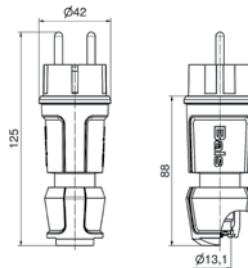


Fig.: Type 7372

18 MB 119

Colour	Order no.	Qty
black	7372	20

Domestic Connector

- With Multi-Grip cable gland
- Spacious connection area
- Protection degree IP54

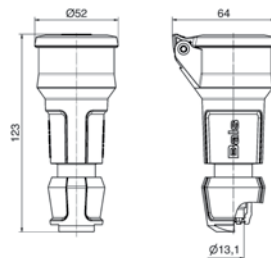


Fig.: Type 7488

18 MB 120

Colour	Order no.	Qty
black	7488	20

In the case of Domestic Connectors with child-protection add **09** to the end of the order number.



CAMPING PLUGS AND SOCKETS

- IEC 60309, EN 60309, VDE 0623
- Enclosure, insert and hinged lid made of high-grade plastic
- Protection degree IP44

Surface Mounting Socket Outlet

- Screw terminals
- 16A 230V 3p
- Lockable using padlock with bar diameter 5 mm
- Protection degree IP44

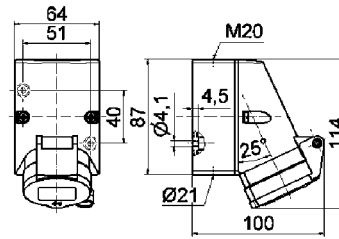



Fig.: Type 119

1 MB 53

Order no.  Qty

119 10

Panel Mounting Socket Outlet

- Screwless terminals
- Kontex contact
- 16A 230V 3p
- 20° angled
- Lockable by a padlock with shackle diameter 5 mm
- Flange 74 x 62 mm
- Drill hole 60 x 52 mm
- Protection degree IP44

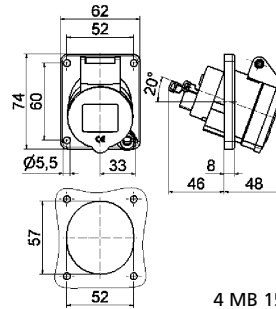



Fig.: Type 12990

4 MB 151

Order no.  Qty

12990 10

Panel Mounting Socket Outlet

- Screwless terminals
- Kontex contact
- 16A 230V 3p
- 20° angled
- Flange 74 x 62 mm
- Drill hole 60 x 52 mm
- Protection degree IP44

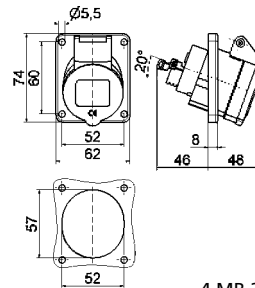



Fig.: Type 12772

4 MB 246

Order no.  Qty

12772 10

Caravan Flush Mounting Inlets

- Screw terminals
- 16A 230V 3p
- Swing-out design
- Protection degree IP44

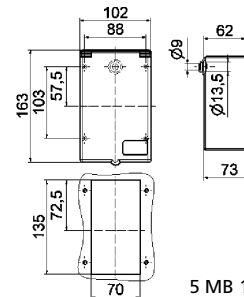



Fig.: Type 251

5 MB 16

Order no.  Qty

251 10

Caravan Flush Mounting Inlets

- Screw terminals
- 16A 230V 3p
- Swing-out design
- With rubber seal and frame
- For intermediate installation
- Protection degree IP44

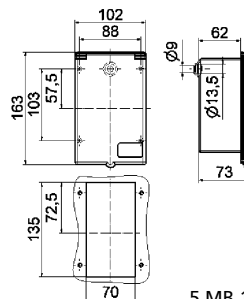



Fig.: Type 254

5 MB 16

Colour Order no.  Qty

white **254** 10

brown **258** 10

black **255** 10

Angled Plug

- Screw terminals
- 16A 230V 3p
- With short cable sleeve
- Protection degree IP44

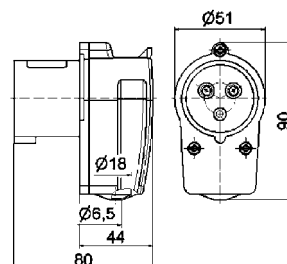



Fig.: Type 231

2 MB 156

Order no.  Qty

231 10

CAMPING PLUGS AND SOCKETS

- IEC 60309, EN 60309, VDE 0623
- Enclosure, insert and hinged lid made of high-grade plastic
- Protection degree IP44

Plug

- Screw terminals
- 16A 230V 3p
- With short cable sleeve
- Lockable by a padlock shackle diameter 5 mm
- Protection degree IP44

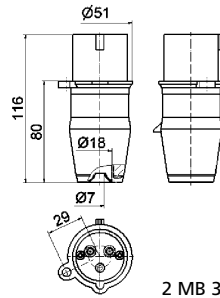


Fig.: Type 219

2 MB 38

Order no.  Qty
219 **10**

Plug Quick-Connect with Multi-Grip

- Screwless terminals
- Screwless enclosure connection, self locking
- Special gland, simultaneous cable gland and seal
- 16A 230V 3p
- Protection degree IP44

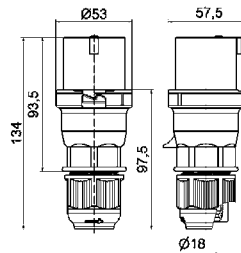


Fig.: Type 2126

2 MB 166

Order no.  Qty
2126 **10**

Surface Mounting Appliance Inlet

- Screw terminals
- Cable entry 1x at top (open), 1x at bottom (closed)
- 16A 230V 3p
- Protection degree IP44

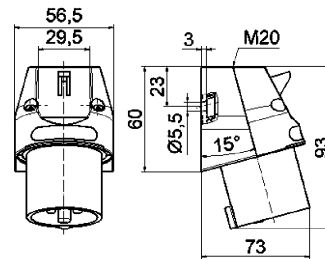


Fig.: Type 240

5 MB 160

Order no.  Qty
240 **10**

Surface Mounting Appliance Inlet Quick-Connect

- Screwless terminals
- Cable entry 1x at top (open), 1x at bottom (closed)
- 16A 230V 3p
- Protection degree IP44

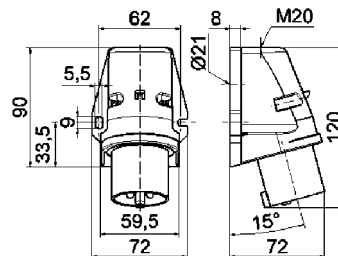


Fig.: Type 24423

5 MB 163

Order no.  Qty
24423 **10**

Surface Mounting Appliance Inlet

- Screw terminals
- Cable entry 1x at top (open), 1x at bottom (closed)
- 16A 230V 3p
- With self-closing hinged lid
- Protection degree IP44

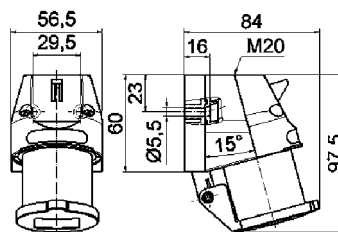


Fig.: Type 242

5 MB 161

Order no.  Qty
242 **10**

Surface Mounting Appliance Inlet

- Screw terminals
- 16A 230V 3p
- Cable entry 1x at top (open), 1x at bottom (closed)
- With closure cap on a plastic strap
- Protection degree IP44

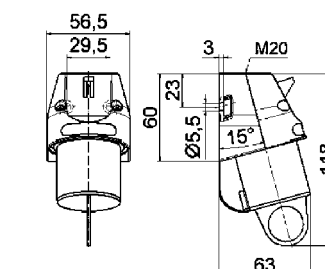


Fig.: Type 2400

5 MB 162

Order no.  Qty
2400 **10**

CAMPING PLUGS AND SOCKETS

- IEC 60309, EN 60309, VDE 0623
- Enclosure, insert and hinged lid made of high-grade plastic
- Protection degree IP44/ IP54

Connector Quick-Connect with Multi-Grip

- Screwless terminals
- 16A 230V 3p
- Screwless enclosure connection, snap-in lock
- Special gland, simultaneous cable gland and seal
- Protection degree IP44

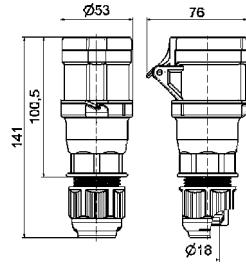



Fig.: Type 3126

3 MB 110

Order no.  Qty

3126 10

Adapter Plug

- Protection degree IP44

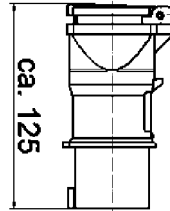



Fig.: Type 8615


2 MB 39

Order no.  Qty

CEE plug 16A/230V/3p to Domestic sockets 16A/230V~ German earthing system type F **8615** 10

CEE plug 16A/230V/3p to Domestic sockets 16A/230V~ Belgian/French earthing system type E **8614** 10

Domestic Plug

- With Multi-Grip cable gland
- Spacious connection area
- Also suitable for Belgian/French system
- Protection degree IP44 

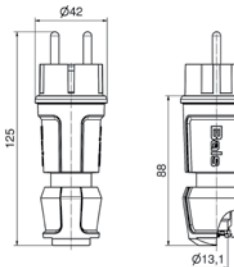



Fig.: Type 7370


18 MB 119

Colour Order no.  Qty

blue **7370** 10

grey **7371** 10

Domestic Connector

- With Multi-Grip cable gland
- Spacious connection area
- Protection degree IP54 

In the case of Domestic Connectors with child-protection add **09** to the end of the order number.

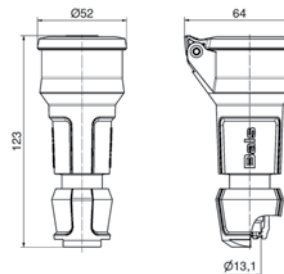



Fig.: Type 7486

18 MB 120

Colour Order no.  Qty

German system:

blue **7486** 10

grey **7487** 10

Belgian/French system:


blue **7890** 10

Extension Lead

- Protection degree IP44



Fig.: Type 812

Components	Cable	Length	Order no.	 Qty
CEE plug	H07RN-F3G1,5 ¹⁾	10m	812	1
16A 230V 3p and CEE connector	H07RN-F3G2,5	10m	813	1
16A 230V 3p	H07RN-F3G1,5 ¹⁾	15m	814	1
	H07RN-F3G2,5	15m	815	1
	H07RN-F3G1,5 ¹⁾	20m	816	1
	H07RN-F3G2,5	20m	817	1
Domestic plug and connector ¹⁾	H07RN-F3G2,5	1.5m	8178	1

¹⁾ Deviating from VDE 0100 Part 708 Section 4

VARIABOX-S

Dimension of enclosure: 130 x 230 mm

- With four Domestic sockets
- 16A 250V ~ (system F - German earthing System)
- 162 mm max. depth with components
- Ready wired for installation
- Cable entry:
Top: 1x M12, 1x M20, 2x M25 open
Bottom: 1x M12, 1x M20, 2x M25

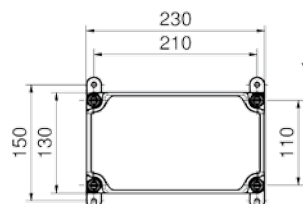



Fig.: Type 89006

30 MB 208

Order no.  Qty

89006 1





TLS Series

Surface Mounting Socket Outlets



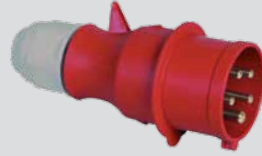
Page 214

Panel Mounting Socket Outlets



Pages 214, 215

Plugs



Page 216

Connectors



Page 217

E-V-E Distribution Units

E-V-E Distribution Units



Page 218

IT Network Distribution Units

IT Network Distribution Units



Page 218

Bollards

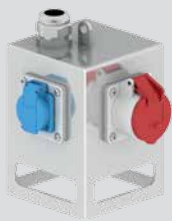
Distribution Bollards



Pages 220, 230 - 249

Stainless-Steel Distributors

Varia-Cubes



Page 219

Surface Mounting and Flush Mounting Cabinets



Pages 222 - 225

Power-Port Free-Standing Distributors



Page 226

Rain Shields, Concrete Bases



Page 226

Empty Enclosures

Plastic Enclosures



Page 227

Accessories



Page 228

Evobox

EVOBOX



Seite 230, 231

PLUGS AND SOCKETS with Screw Terminals

■ IEC 60309-1/2, EN 60309, VDE 0623
■ Protection degree IP44

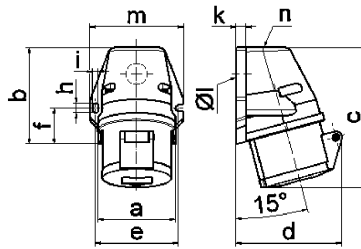
Surface Mounting Socket Outlet

- Screw terminals
- Cable entry 1x at top (open) and 1x at bottom (closed)
- Protection degree IP44

Ampere	Poles	110V 50-60 Hz			230V 50-60 Hz			400V 50-60 Hz			500V 50-60 Hz			100-300Hz > 50V			301-500Hz > 50V			Qty	each
		3pol	4pol	5pol	3pol	4pol	5pol	3pol	4pol	5pol	3pol	4pol	5pol	3pol	4pol	5pol	3pol	4pol	5pol		
16	3	11897			11765														10	175	
16	4	11722			11652			11645		11723									10	220	
16	5	11724			11725			100		11726								110129	10	240	
32	3	11832			11651														10	275	
32	4	11735			11653			11646		11736			11836					110130	10	285	
32	5	11737			11738			101		11739									10	310	



Fig.: Type 101



1 MB 19

Ampere	16	16	16	32	32	32
Poles	3	4	5	3	4	5
a	59.5	72.4	72.4	79.1	79.1	79.1
b	90.0	90.0	90.0	92.0	92.0	92.0
c	130.0	130.0	131.0	142.0	142.0	142.0
d	85.0	96.0	98.0	103.0	103.0	106.0
e	62.0	77.0	77.0	84.0	84.0	84.0
f	33.5	33.5	33.5	30.0	30.0	30.0
h	9.0	9.0	9.0	9.0	9.0	9.0
i	5.5	5.5	5.5	5.5	5.5	5.5
k	8.0	9.0	9.0	9.0	9.0	9.0
l ø	21.0	21.0	21.0	21.0	21.0	21.0
m	72.0	87.0	87.0	94.0	94.0	94.0
n	M20	M25	M25	M25	M25	M25
Cond. mm² min	1.5	1.5	1.5	2.5	2.5	2.5
Cond. mm² max	4	4	4	10	10	10

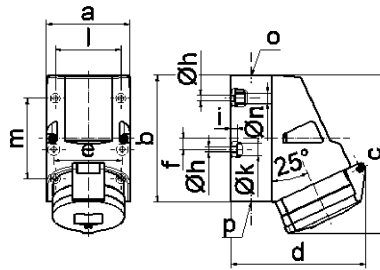
Surface Mounting Socket Outlet

- Screw terminals
- Cable entry 1x at top (open), 2x at bottom (closed)
- Base rotatable by 180°
- 4 mounting holes in enclosure base
- Suitable for through wiring with special terminals
- Protection degree IP44

Ampere	Poles	110V 50-60 Hz			230V 50-60 Hz			400V 50-60 Hz			500V 50-60 Hz			100-300Hz > 50V			301-500Hz > 50V			Qty	each
		3pol	4pol	5pol	3pol	4pol	5pol	3pol	4pol	5pol	3pol	4pol	5pol	3pol	4pol	5pol	3pol	4pol	5pol		
16	4	11849			11424			11344		11425									10	320	
16	5	110054			11375			106		11219								11755	10	335	
32	3	1113			1114			1115		11794			11426					11193	10	370	
32	4	1116			1117			1118		1119			1120					1121	10	385	
32	5	1122			1123			103		11023			11146					11124	10	390	



Fig.: Type 103



1 MB 2

Ampere	16	16	16	32	32	32
Poles	4	5	3	4	5	5
a	83.0	83.0	83.0	83.0	83.0	83.0
b	126.0	126.0	126.0	126.0	126.0	126.0
c	153.0	155.0	155.0	155.0	155.0	155.0
d	127.0	130.0	130.0	130.0	130.0	136.0
e	68.0	68.0	68.0	68.0	68.0	68.0
f	11.0	11.0	11.0	11.0	11.0	11.0
h ø	5.5	5.5	5.5	5.5	5.5	5.5
i	6.5	6.5	6.5	6.5	6.5	6.5
k ø	12.0	12.0	12.0	12.0	12.0	12.0
l	65.0	65.0	65.0	65.0	65.0	65.0
m	80.0	80.0	80.0	80.0	80.0	80.0
n ø	10.0	10.0	10.0	10.0	10.0	10.0
o	M25	M25	M25	M25	M25	M25
p	2x M25	2x M25	2x M25	2x M25	2x M25	2x M25
Cond. mm² min	1.5	1.5	2.5	2.5	2.5	2.5
Cond. mm² max	4	4	10	10	10	10

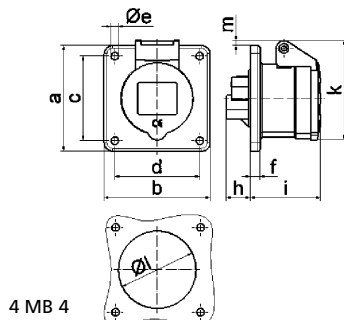
Panel Mounting Socket Outlet

- Screw terminals
- Flange 75 x 75 mm
- Protection degree IP44

Ampere	Poles	110V 50-60 Hz			230V 50-60 Hz			400V 50-60 Hz			500V 50-60 Hz			100-300Hz > 50V			301-500Hz > 50V			Qty	each
		3pol	4pol	5pol	3pol	4pol	5pol	3pol	4pol	5pol	3pol	4pol	5pol	3pol	4pol	5pol	3pol	4pol	5pol		
16	3	13000			13001			13002		13042			13216					13053	10	115	
16	4	1322			1323			1324		1325			1326					1327	10	140	
16	5	13003			13004			13005		13043			13034					13033	10	155	
32	3	13006			13007			13008		13058			13076					13313	10	190	
32	4	13009			13010			13011		13012			13013					13014	10	200	
32	5	1331			1332			1333		13167			13173					13050	10	205	



Fig.: Type 1333



4 MB 4

Ampere	16	16	16	32	32	32
Poles	3	4	5	3	4	5
a	75.0	75.0	75.0	75.0	75.0	75.0
b	75.0	75.0	75.0	75.0	75.0	75.0
c	60.0	60.0	60.0	60.0	60.0	60.0
d	60.0	60.0	60.0	60.0	60.0	60.0
e ø	5.5	5.5	5.5	5.5	5.5	5.5
f	7.0	7.0	7.0	8.0	8.0	8.0
h	17.0	26.0	17.0	36.0	36.0	19.0
i	51.0	53.0	53.0	62.0	62.0	62.0
k	70.0	80.0	85.0	90.0	90.0	98.0
l ø	45.0	45.0	55.0	60.0	60.0	60.0
m	3.5	7.0	11.5	12.0	12.0	17.0
Cond. mm² min	1.5	1.5	1.5	2.5	2.5	2.5
Cond. mm² max	4	4	4	10	10	10

PLUGS AND SOCKETS with Screw Terminals

- IEC 60309-1/2, EN 60309, VDE 0623
- Protection degree IP44, IP67

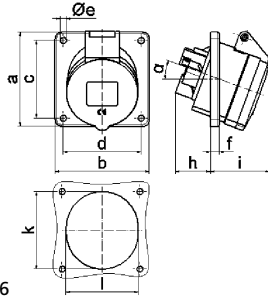
Panel Mounting Socket Outlet

- Screw terminals
- 20° angled
- Flange 85 x 85 mm
- Protection degree IP44



Fig.: Type 12078

Ampere	Poles	110V 50-60 Hz	230V 50-60 Hz	400V 50-60 Hz	500V 50-60 Hz	100-300Hz > 50V	301-500Hz > 50V	Qty	each
		3pol 4pol 5pol 4h 4h 4h	3pol 4pol 5pol 6h 9h 9h	3pol 4pol 5pol 9h 6h 6h	3pol 4pol 5pol 7h 7h 7h	3pol 4pol 5pol 10h 10h 10h	3pol 4pol 5pol 2h 2h 2h		
16	3	12079	12080	12081	12485	12952	12483	10	125
16	4			12500	12520			10	150
16	5	12076	12077	12078	12491		12484	10	170
32	3	12324	12310					10	205
32	4		12325	12311	12368			10	210
32	5	1213	1214	1215	12369	12217		10	215



4 MB 26

Ampere Poles	16 3	16 4	16 5	32 3	32 4	32 5
a	85.0	85.0	85.0	85.0	85.0	85.0
b	85.0	85.0	85.0	85.0	85.0	85.0
c	70.0	70.0	70.0	70.0	70.0	70.0
d	70.0	70.0	70.0	70.0	70.0	70.0
e ø	5.5	5.5	5.5	5.5	5.5	5.5
f	8.0	8.0	8.0	8.0	8.0	8.0
h	30.0	30.0	30.0	50.0	50.0	34.0
i	48.0	50.0	54.0	63.0	63.0	60.0
k	57.0	65.0	70.0	78.0	78.0	78.0
l	57.0	65.0	70.0	78.0	78.0	78.0
	20°	20°	20°	20°	20°	20°
Cond. mm² min	1.5	1.5	1.5	2.5	2.5	2.5
Cond. mm² max	4	4	4	10	10	10

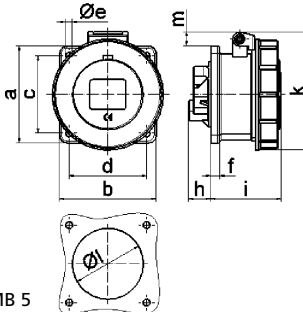
Panel Mounting Socket Outlet

- Screw terminals
- Flange 75 x 75 mm
- Protection degree IP67



Fig.: Type 1370

Ampere	Poles	110V 50-60 Hz	230V 50-60 Hz	400V 50-60 Hz	500V 50-60 Hz	100-300Hz > 50V	301-500Hz > 50V	Qty	each
		3pol 4pol 5pol 4h 4h 4h	3pol 4pol 5pol 6h 9h 9h	3pol 4pol 5pol 9h 6h 6h	3pol 4pol 5pol 7h 7h 7h	3pol 4pol 5pol 10h 10h 10h	3pol 4pol 5pol 2h 2h 2h		
16	3	1371	1372	1373		13265		10	140
16	4	1374	1375	1376	1377	1378	1379	10	165
16	5	1380	1381	1382	13044	13379	13380	10	185
32	3	13023	13024	13025		13264	13432	10	225
32	4	13026	13027	13028	13029	13030	13031	10	240
32	5	1368	1369	1370	13376	13377	13378	10	250



4 MB 5

Ampere Poles	16 3	16 4	16 5	32 3	32 4	32 5
a	75.0	75.0	75.0	75.0	75.0	75.0
b	75.0	75.0	75.0	75.0	75.0	75.0
c	60.0	60.0	60.0	60.0	60.0	60.0
d	60.0	60.0	60.0	60.0	60.0	60.0
e ø	5.5	5.5	5.5	5.5	5.5	5.5
f	7.0	7.0	7.0	8.0	8.0	8.0
h	17.0	26.0	17.0	36.0	36.0	19.0
i	57.0	58.0	57.0	65.0	65.0	65.0
k	76.0	83.0	93.0	100.0	100.0	106.0
l ø	45.0	45.0	55.0	60.0	60.0	60.0
m	3.5	7.0	11.5	12.0	12.0	17.0
Cond. mm² min	1.5	1.5	1.5	2.5	2.5	2.5
Cond. mm² max	4	4	4	10	10	10

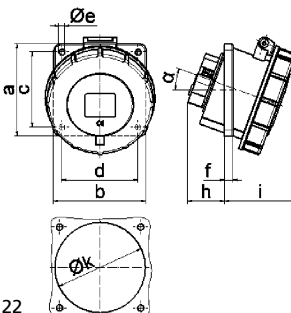
Panel Mounting Socket Outlet

- Screw terminals
- 20° angled
- Flange 85 x 85 mm
- Protection degree IP67



Fig.: Type 12084

Ampere	Poles	110V 50-60 Hz	230V 50-60 Hz	400V 50-60 Hz	500V 50-60 Hz	100-300Hz > 50V	301-500Hz > 50V	Qty	each
		3pol 4pol 5pol 4h 4h 4h	3pol 4pol 5pol 6h 9h 9h	3pol 4pol 5pol 9h 6h 6h	3pol 4pol 5pol 7h 7h 7h	3pol 4pol 5pol 10h 10h 10h	3pol 4pol 5pol 2h 2h 2h		
16	3		12231					10	160
16	4			12502				10	180
16	5	12082	12083	12084	12717			10	205
32	3	12326	12327					10	260
32	4		12328	12329	12614			10	270
32	5	1262	1263	1264				10	275



4 MB 22

Ampere Poles	16 3	16 4	16 5	32 3	32 4	32 5
a	85.0	85.0	85.0	85.0	85.0	85.0
b	85.0	85.0	85.0	85.0	85.0	85.0
c	70.0	70.0	70.0	70.0	70.0	70.0
d	70.0	70.0	70.0	70.0	70.0	70.0
e ø	5.5	5.5	5.5	5.5	5.5	5.5
f	8.0	8.0	8.0	8.0	8.0	8.0
h	30.0	30.0	30.0	50.0	50.0	34.0
i	55.0	57.0	59.0	67.0	67.0	69.0
k	57.0	65.0	70.0	78.0	78.0	78.0
l	57.0	65.0	70.0	78.0	78.0	78.0
	20°	20°	20°	20°	20°	20°
Cond. mm² min	1.5	1.5	1.5	2.5	2.5	2.5
Cond. mm² max	4	4	4	10	10	10

PLUGS AND SOCKETS with Screw Terminals

- IEC 60309-1/2, EN 60309, VDE 0623
- Protection degree IP44, IP67

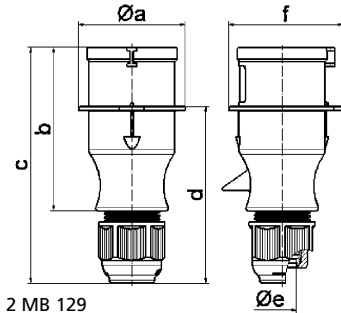
Plug with Multi-Grip

- Screw terminals
- One-piece enclosure
- Special gland, simultaneous cable gland and seal
- Protection degree IP44

Ampere	Poles	110V 50-60 Hz			230V 50-60 Hz			400V 50-60 Hz			500V 50-60 Hz			100-300Hz > 50V			301-500Hz > 50V			Qty	each
		2P+E	3P+E	3P+N+E	3pol	4pol	5pol	3pol	4pol	5pol	3pol	4pol	5pol	3pol	4pol	5pol	3pol	4pol	5pol		
16	3				21000-TLS				21001-TLS										10	120	
16	4				21003-TLS				21004-TLS										10	130	
16	5				21009-TLS				21010-TLS										10	150	
32	3				21012-TLS				21013-TLS										10	200	
32	4				21015-TLS				21016-TLS										10	220	
32	5				21021-TLS				21022-TLS										10	250	



Fig.: Type 204-TLS



2 MB 129

Ampere	16	16	16	32	32	32
Poles	3	4	5	3	4	5
a ø	54.0	60.0	66.0	71.0	71.0	80.0
b	94.5	98.0	101.0	115.0	115.0	119.0
c	138.0	142.0	145.0	170.0	170.0	174.0
d	101.5	105.5	108.5	124.0	124.0	128.0
e ø	18.0	18.0	18.0	23.0	23.0	23.0
f	56.6	64.0	71.0	76.0	76.0	85.0
Cond. mm ² min	1	1	1	2.5	2.5	2.5
Cond. mm ² max	2.5	2.5	2.5	6	6	6

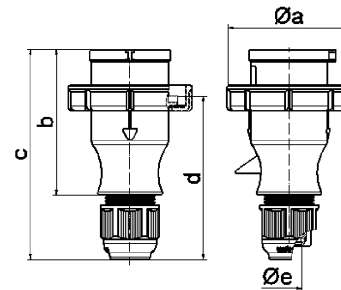
Plug with Multi-Grip

- Screw terminals
- Nickel plated contacts
- One-piece enclosure
- Special gland, simultaneous cable gland and seal
- Protection degree IP67

Ampere	Poles	110V 50-60 Hz			230V 50-60 Hz			400V 50-60 Hz			500V 50-60 Hz			100-300Hz > 50V			301-500Hz > 50V			Qty	each
		2P+E	3P+E	3P+N+E	3pol	4pol	5pol	3pol	4pol	5pol	3pol	4pol	5pol	3pol	4pol	5pol	3pol	4pol	5pol		
16	3				210575				210576										10	155	
16	4				210581				210582										10	170	
16	5				210587				210588										10	170	
32	3				210593				210594										10	243	
32	4				210599				210600										10	255	
32	5				210605				210606										10	305	



Fig.: Type 210589



2 MB 130

Ampere	16	16	16	32	32	32
Poles	3	4	5	3	4	5
a ø	70.0	78.0	86.0	94.0	94.0	101.0
b	94.5	98.0	101.0	115.0	115.0	119.0
c	138.0	142.0	145.0	170.0	170.0	174.0
d	105.5	109.5	112.5	128.0	128.0	132.0
e ø	18.0	18.0	18.0	23.0	23.0	23.0
Cond. mm ² min	1	1	1	2.5	2.5	2.5
Cond. mm ² max	2.5	2.5	2.5	6	6	6

PLUGS AND SOCKETS with Screw Terminals

- IEC 60309-1/2, EN 60309, VDE 0623
- Protection degree IP44, IP67

Connector with Multi-Grip

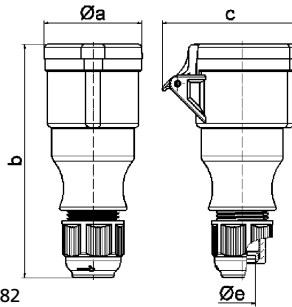
- Screw terminals
- One-piece enclosure
- Special gland, simultaneous cable gland and seal
- Protection degree IP44

Ampere	Poles	110V 50-60 Hz			230V 50-60 Hz			400V 50-60 Hz			500V 50-60 Hz			100-300Hz > 50V			301-500Hz > 50V			Qty	each	
		2P+E	3P+E	3P+N+E	3pol 4h	4pol 4h	5pol 4h	3pol 6h	4pol 9h	5pol 9h	3pol 9h	4pol 6h	5pol 6h	3pol 7h	4pol 7h	5pol 7h	3pol 10h	4pol 10h	5pol 10h			3pol 2h
16	3				<u>31000-TLS</u>				<u>31001-TLS</u>												10	140
16	4				<u>31003-TLS</u>				<u>31004-TLS</u>												10	160
16	5				<u>31009-TLS</u>				<u>31010-TLS</u>												10	180
32	3				<u>31012-TLS</u>				<u>31013-TLS</u>												10	240
32	4				<u>31015-TLS</u>				<u>31016-TLS</u>												10	250
32	5				<u>31021-TLS</u>				<u>31022-TLS</u>												10	260



Fig.: Type 304-TLS

3 MB 82



Ampere	16	16	16	32	32	32
Poles	3	4	5	3	4	5
a Ø	51.0	58.0	65.0	67.0	67.0	73.0
b	145.0	148.0	156.0	185.0	185.0	185.0
c	74.0	84.0	90.0	94.0	94.0	102.0
e Ø	18.0	18.0	18.0	23.0	23.0	23.0
Cond. mm² min	1	1	1	2.5	2.5	2.5
Cond. mm² max	2.5	2.5	2.5	6	6	6

Connector with Multi-Grip

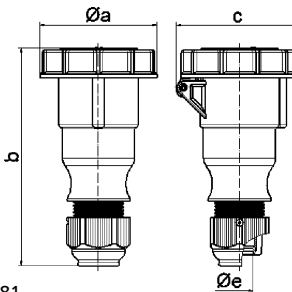
- Screw terminals
- Nickel plated contacts
- One-piece enclosure
- Special gland, simultaneous cable gland and seal
- Protection degree IP67

Ampere	Poles	110V 50-60 Hz			230V 50-60 Hz			400V 50-60 Hz			500V 50-60 Hz			100-300Hz > 50V			301-500Hz > 50V			Qty	each	
		2P+E	3P+E	3P+N+E	3pol 4h	4pol 4h	5pol 4h	3pol 6h	4pol 9h	5pol 9h	3pol 9h	4pol 6h	5pol 6h	3pol 7h	4pol 7h	5pol 7h	3pol 10h	4pol 10h	5pol 10h			3pol 2h
16	3				<u>310331</u>				<u>310333</u>												10	175
16	4				<u>310338</u>				<u>310339</u>												10	200
16	5				<u>310344</u>				<u>310345</u>												10	220
32	3				<u>310350</u>				<u>310351</u>												10	305
32	4				<u>310356</u>				<u>310357</u>												10	315
32	5				<u>310362</u>				<u>310363</u>												10	360



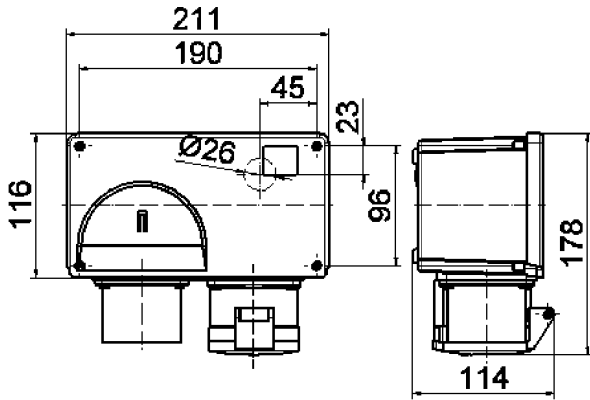
Fig.: Type 310346

3 MB 81



Ampere	16	16	16	32	32	32
Poles	3	4	5	3	4	5
a Ø	70.5	78.0	86.5	94.0	94.0	101.5
b	154.0	155.0	160.0	190.0	190.0	190.0
c	77.0	83.0	93.0	99.0	99.0	107.0
e Ø	18.0	18.0	18.0	23.0	23.0	23.0
Cond. mm² min	1	1	1	2.5	2.5	2.5
Cond. mm² max	2.5	2.5	2.5	6	6	6

- Ready wired for installation
- Protection degree IP44



30 MB 173

- Dimension of enclosure: 211 x 116 mm
- Ready wired for installation
- Enclosure made of high-grade, impact-resistant plastic
- Small, compact design
- Variable configuration

Order no. **591**

Components:
1 CEE socket 16A, 400V, 5p

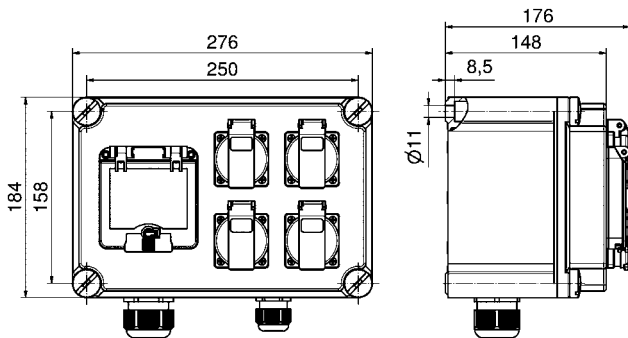
Cable entry:
1 CEE inlet 16A, 400V, 5p



Order no. **592**

Components:
1 CEE socket 32A, 400V, 5p

Cable entry:
1 CEE inlet 32A, 400V, 5p



30 MB 229

- Dimension of enclosure: 276 x 184 mm
- Ready wired for installation
- Enclosure made of high-grade, impact-resistant plastic
- Window
 - lockable
 - with protection against accidental contact and label field
 - with locking function for orderly cable routing

VARIABOX -S

Order no. **893059**

Components:
8 RJ45 Cat. 6 socket inserts 8-pole shielded under transparent window

Cable entry:
2 x M32 with
Multiple sealing insert 4 x 8 mm



VARIABOX -S

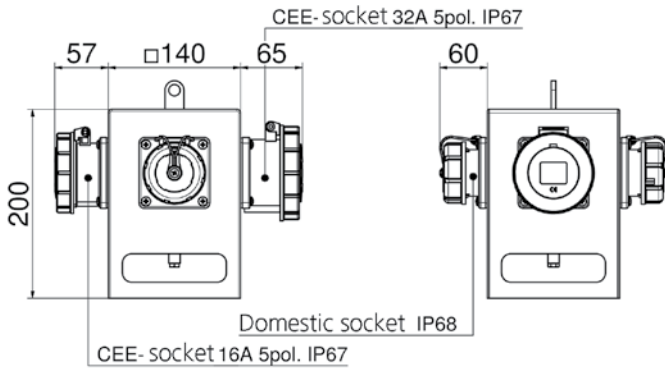
Order no. **893058**

Components:
2 Domestic sockets 16A, 230V ~ (system F - German earthing System)
4 RJ45 Cat. 6 socket inserts 8-pole shielded under transparent window

Cable entry:
1 x M20
1 x M32 with
Multiple sealing insert 4 x 8 mm



- Ready wired for installation
- Protection degree IP44, IP54, IP67



- Dimension of enclosure: 140 x 140 mm
- Enclosure made of high-quality V4A stainless steel
- Brushed surface
- Suitable for food industry and hygienic areas
- Easy-to-clean surface
- With hanging clips and recessed handles

45 MB 53

Order no. 573358

Components:
4 Domestic sockets 16A, 230V, IP54
(system F - German earthing System)

Cable entry:
1x M32 cable gland (V4A)
incl. reducer seal M25

Ready wired for installation on clamping ring

Order no. 573396

Components:
4 Domestic sockets 16A, 230V, IP67
(system F - German earthing System)

Cable entry:
1x M32 cable gland (V4A)
incl. reducer seal M25

Ready wired for installation on clamping ring

Order no. 573518

Components:
3 Domestic sockets 16A, 230V, IP54
(system F - German earthing System)
1 CEE socket 16A, 400V, 5p, IP54

Cable entry:
1x M32 cable gland (V4A)
incl. reducer seal M25

Ready wired for installation on clamping ring

Order no. 573210

Components:
3 Domestic sockets 16A, 230V, IP67
(system F - German earthing System)
1 CEE socket 16A, 400V, 5p, IP67

Cable entry:
1x M32 cable gland (V4A)
incl. reducer seal M25

Ready wired for installation on clamping ring

Order no. 573512

Components:
2 Domestic sockets 16A, 230V, IP54
(system F - German earthing System)
1 CEE socket 16A, 400V, 5p, IP54
1 CEE socket 32A, 400V, 5p, IP54

Cable entry:
1x M32 cable gland (V4A)
incl. reducer seal M25

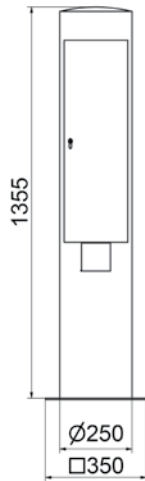
Ready wired for installation on 2 separate circuits (16A/32A)

Order no. 573209

Components:
2 Domestic sockets 16A, 230V, IP67
(system F - German earthing System)
1 CEE socket 16A, 400V, 5p, IP67
1 CEE socket 32A, 400V, 5p, IP67

Cable entry:
1x M32 cable gland (V4A)
incl. reducer seal M25

Ready wired for installation on 2 separate circuits (16A/32A)



45 MB 76

- Dimension of enclosure: 1355 x 250 mm
- Made of robust, hot-dip galvanised steel enclosure
- Ideal for safe energy distribution outdoors
- Vandal-proof owing to internally hinged door
- Lockable door with cylinder lock
- Cable outlet in door allows locking in connected state
- Safe protection of fuse elements behind operating window
- Suitable for base mounting
- RAL 7016; other colours possible on request
- Concrete base: see page 260



Order no. **561090**

Components:

2 Domestic sockets 16A, 230V ~
(system F - German earthing System)
1 CEE socket 16A, 400V, 5p
1 CEE socket 32A, 400V, 5p

Protection:

2 C-type MCBs 16A, 1p
1 C-type MCB 16A, 3p
1 C-type MCB 32A, 3p
1 RCCB 40/0.03A, 4p

Connection option:

for 2 cables up to 5 x 25 mm²



Order no. **562372**

Components:

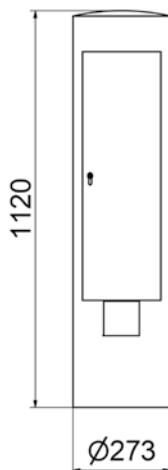
2 Domestic sockets 16A, 230V ~
(system F - German earthing System)
2 CEE sockets 16A, 400V, 5p

Protection:

2 C-type MCBs 16A, 1p
2 C-type MCBs 16A, 3p
1 RCCB 40/0.03A, 4p

Connection option:

for 2 cables up to 5 x 25 mm²



45 MB 74

- Dimension of enclosure: 1120 x 273 mm
- Protection degree IP44
- Made of robust, hot-dip galvanised steel enclosure
- Ideal for safe energy distribution outdoors
- Vandal-proof owing to internally hinged door
- Lockable door with cylinder lock
- Cable outlet in door allows locking in connected state
- Suitable for base mounting
- RAL 7016; other colours possible on request
- Concrete base: see page 260



Order no. **562389**

Components:

2 Domestic sockets 16A, 230V ~
(system F - German earthing System)
1 CEE socket 16A, 400V, 5p

Protection:

2 C-type MCBs 16A, 1p
1 C-type MCB 16A, 3p
1 RCCB 40/0.03A, 4p

Cable entry:

2x M40

Connection option:

for 2 cables up to 5 x 25 mm²



Order no. **562390**

Components:

3 Domestic sockets 16A, 230V ~
(system F - German earthing System)

Protection:

3 C-type MCBs 16A, 1p
1 RCCB 40/0.03A, 4p

Cable entry:

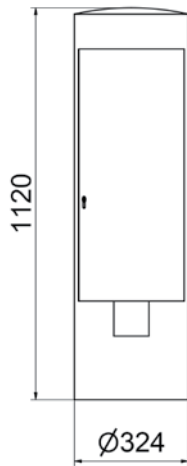
2x M40

Connection option:

for 1 cable up to 5 x 10 mm²

Distribution Bollards

- Ready wired for installation
- Protection degree IP44



45 MB 73

- Dimension of enclosure: 1120 x 324 mm
- Protection degree IP44
- Made of robust, hot-dip galvanised steel enclosure
- Ideal for safe energy distribution outdoors
- Vandal-proof owing to internally hinged door
- Lockable door with cylinder lock
- Cable outlet in door allows locking in connected state
- Suitable for base mounting
- RAL 7016; other colours possible on request
- Concrete base: see page 260



Order no. **562391**

Components:

- 2 Domestic sockets 16A, 230V ~ (system F - German earthing System)
- 1 CEE socket 16A, 400V, 5p
- 1 CEE socket 32A, 400V, 5p

Protection:

- 2 C-type MCBs 16A, 1p
- 1 C-type MCB 16A, 3p
- 1 C-type MCB 32A, 3p
- 1 RCCB 40/0.03A, 4p

Cable entry:

2x M40

Connection option:

for 2 cables up to 5 x 25 mm²



Order no. **562392**

Components:

- 2 Domestic sockets 16A, 230V ~ (system F - German earthing System)
- 2 CEE sockets 16A, 400V, 5p

Protection:

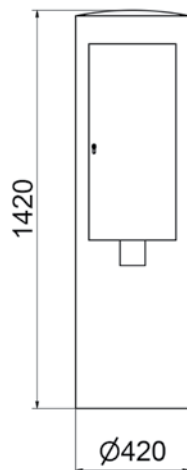
- 2 C-type MCBs 16A, 1p
- 2 C-type MCBs 16A, 3p
- 1 RCCB 40/0.03A, 4p

Cable entry:

2x M40

Connection option:

for 2 cables up to 5 x 25 mm²



45 MB 75

- Dimension of enclosure: 1420 x 420 mm
- Protection degree IP44
- Made of robust, hot-dip galvanised steel enclosure
- Ideal for safe energy distribution outdoors
- Vandal-proof owing to internally hinged door
- Lockable door with cylinder lock
- Cable outlet in door allows locking in connected state
- Suitable for base mounting
- RAL 7016; other colours possible on request
- Concrete base: see page 260



Order no. **562366**

Components:

- 4 Domestic sockets 16A, 230V ~ (system F - German earthing System)
- 1 CEE socket 16A, 400V, 5p
- 1 CEE socket 32A, 400V, 5p
- 1 CEE socket 63A, 400V, 5p

Protection:

- 4 C-type MCBs 16A, 1p
- 1 C-type MCB 16A, 3p
- 1 C-type MCB 32A, 3p
- 1 C-type MCB 63A, 3p
- 1 RCCB 63/0.03A, 4p

Cable entry:

2x M50

Connection option:

for 2 cables up to 5 x 25 mm²



Order no. **562393**

Components:

- 4 Domestic sockets 16A, 230V ~ (system F - German earthing System)
- 2 CEE sockets 16A, 400V, 5p
- 1 CEE socket 32A, 400V, 5p

Protection:

- 4 C-type MCBs 16A, 1p
- 2 C-type MCBs 16A, 3p
- 1 C-type MCB 32A, 3p
- 1 RCCB 63/0.03A, 4p

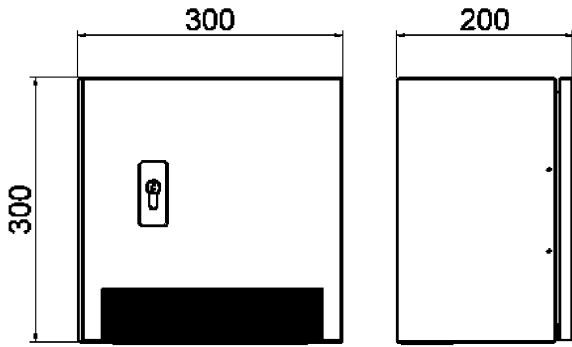
Cable entry:

2x M40

Connection option:

for 2 cable up to 5 x 25 mm²

- Ready wired for installation
- Protection degree IP44



45 MB 50

- Dimension of enclosure: 300 x 300 mm
- Enclosure made of high-quality V2A stainless steel
- Brushed surface
- Door with box lock and single profile cylinder
- Wall mounting brackets, supplied loose
- Brush seal prevents dirt and dust from entering when door is closed
- Lockable in connected state
- Outgoing cables can be guided out through brush-sealed opening on front side
- Easy access to operating elements



Order no. **560967**

Components:
2 Domestic sockets 16A, 230V ~
(system F - German earthing System)
1 CEE socket 16A, 400V, 5p

Cable entry at bottom:
1x M20, 1x M25, 1x M32

Connection option:
for 1 cable 3 x 4 mm² and
1 cable 5 x 4 mm²

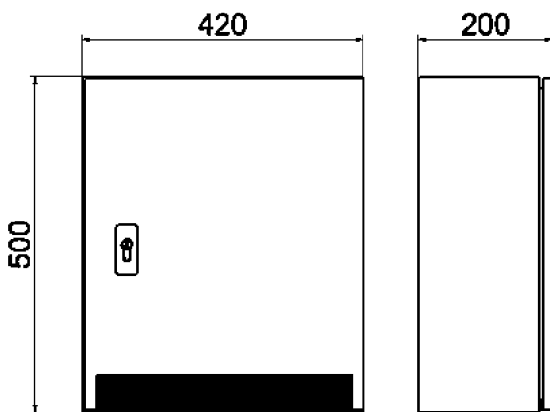


Order no. **560508**

Components:
1 Domestic socket 16A, 230V ~
(system F - German earthing System)
1 CEE socket 16A, 400V, 5p
1 CEE socket 32A, 400V, 5p

Cable entry at bottom:
1x M20, 1x M25, 1x M32

Connection option:
for 1 cable 3 x 4 mm²,
1 cable 5 x 4 mm² and
1 cable 5 x 6 mm²



45 MB 17

- Dimension of enclosure: 500 x 420 mm
- Enclosure made of high-quality V2A stainless steel
- Brushed surface
- Door with box lock and single profile cylinder
- Wall mounting brackets, supplied loose
- Brush seal prevents dirt and dust from entering when door is closed
- Lockable in connected state
- Outgoing cables can be guided out through brush-sealed opening on front side
- Easy access to operating elements



Order no. **560384**

Components:
2 Domestic sockets 16A, 230V ~
(system F - German earthing System)
1 CEE socket 16A, 400V, 5p
1 CEE socket 32A, 400V, 5p

Protection:
2 C-type MCBs 16A, 1p
1 C-type MCB 16A, 3p
1 C-type MCB 32A, 3p
1 RCCB 63/0.03A, 4p

Cable entry at bottom:
1x M25, 1x M32, 1x M40

Connection option:
for 2 cables up to 5 x 25 mm²



Order no. **562373**

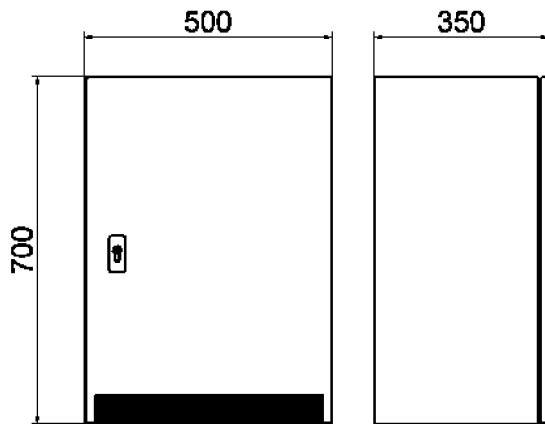
Components:
2 Domestic sockets 16A, 230V ~
(system F - German earthing System)
2 CEE sockets 16A, 400V, 5p

Protection:
2 C-type MCBs 16A, 1p
2 C-type MCBs 16A, 3p
1 RCCB 40/0.03A, 4p

Cable entry at bottom:
1x M25, 1x M32, 1x M40

Connection option:
for 2 cables up to 5 x 25 mm²

- Ready wired for installation
- Protection degree IP44



45 MB 45

- Dimension of enclosure: 700 x 500 mm
- Enclosure made of high-quality V2A stainless steel
- Brushed surface
- Door with box lock and single profile cylinder
- Wall mounting brackets, supplied loose
- Brush seal prevents dirt and dust from entering when door is closed
- Lockable in connected state
- Outgoing cables can be guided out through brush-sealed opening on front side
- Easy access to operating elements



Order no. **562374**

Components:

- 4 Domestic sockets 16A, 230V ~ (system F - German earthing System)
- 1 CEE socket 16A, 400V, 5p
- 1 CEE socket 32A, 400V, 5p
- 1 CEE socket 63A, 400V, 5p

Protection:

- 4 C-type MCBs 16A, 1p
- 1 C-type MCB 16A, 3p
- 1 C-type MCB 32A, 3p
- 1 C-type MCB 63A, 3p
- 2 RCCB 63/0.03A, 4p
- 2 fuse bases D02, 3p

Cable entry at bottom:
2x M63

Connection option:
for 2 cables up to 5 x 50 mm²



Order no. **562377**

Components:

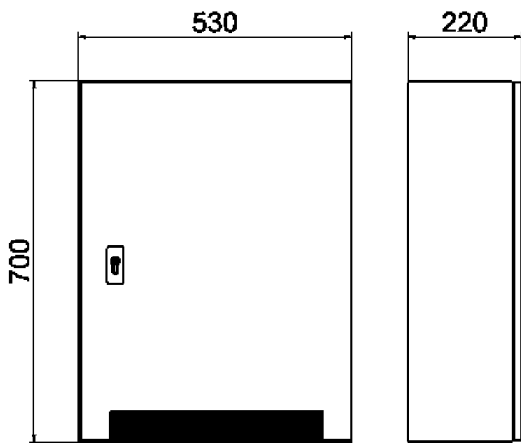
- 4 Domestic sockets 16A, 230V ~ (system F - German earthing System)
- 2 CEE sockets 16A, 400V, 5p
- 2 CEE sockets 32A, 400V, 5p

Protection:

- 4 C-type MCBs 16A, 1p
- 2 C-type MCBs 16A, 3p
- 2 C-type MCBs 32A, 3p
- 1 RCCB 63/0.03A, 4p

Cable entry at bottom:
1x M40, 1x M50, 1x M63

Connection option:
for 2 cables up to 5 x 25 mm²



45 MB 29

- Dimension of enclosure: 700 x 530 mm
- Enclosure made of high-quality V2A stainless steel
- Brushed surface
- Door with box lock and single profile cylinder
- Wall mounting brackets, supplied loose
- Brush seal prevents dirt and dust from entering when door is closed
- Lockable in connected state
- Outgoing cables can be guided out through brush-sealed opening on front side
- Easy access to operating elements



Order no. **561449**

Components:

- 2 Domestic sockets 16A, 230V ~ (system F - German earthing System)
- 1 CEE socket 16A, 400V, 5p
- 1 CEE socket 32A, 400V, 5p
- 1 CEE socket 63A, 400V, 5p

Protection:

- 2 C-type MCBs 16A, 1p
- 1 C-type MCB 16A, 3p
- 1 C-type MCB 32A, 3p
- 1 RCCB 63/0.03A, 4p

Cable entry at bottom:
1x M32, 1x M40, 1x M50

Connection option:
for 2 cables up to 5 x 25 mm²



Order no. **562306**

Components:

- 4 Domestic sockets 16A, 230V ~ (system F - German earthing System)
- 1 CEE socket 16A, 400V, 5p
- 1 CEE socket 32A, 400V, 5p
- 1 CEE socket 63A, 400V, 5p

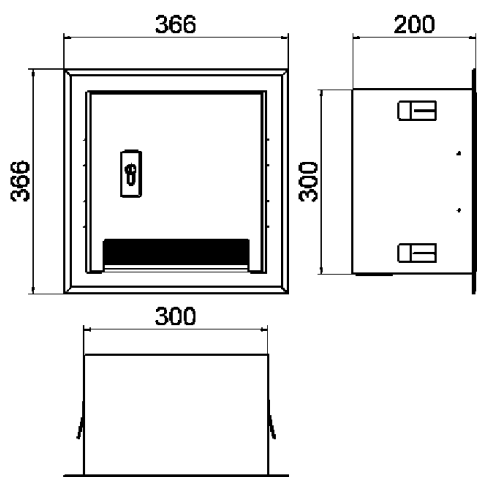
Protection:

- 4 C-type MCBs 16A, 1p
- 1 C-type MCB 16A, 3p
- 1 C-type MCB 32A, 3p
- 1 RCCB 63/0.03A, 4p

Cable entry at bottom:
1x M32, 1x M40, 1x M50

Connection option:
for 2 cables up to 5 x 25 mm²

- Ready wired for installation
- Protection degree IP44



45 MB 51

- Dimension of enclosure: 300 x 300 mm
- Enclosure made of high-quality V2A stainless steel
- Brushed surface
- Door with box lock and single profile cylinder
- Flush-mount adapter frame
- Brush seal prevents dirt and dust from entering when door is closed
- Outgoing cables can be guided out through brush-sealed opening on front side
- Door lockable in connected state
- Easy access to operating elements

Order no. **560509**

Components:

- 1 Domestic socket 16A, 230V ~ (system F - German earthing System)
- 1 CEE socket 16A, 400V, 5p
- 1 CEE socket 32A, 400V, 5p

Cable entry at bottom:

- 1x M20, 1x M25, 1x M32

Connection option:

- for 1 cable up to 3 x 4 mm²,
- 1 cable up to 5 x 4 mm²
- and 1 cable up to 5 x 6 mm²



Order no. **560965**

Components:

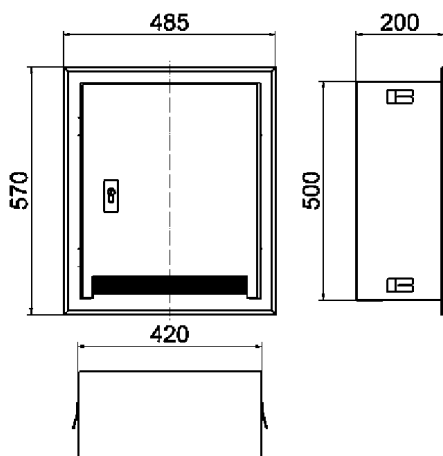
- 2 Domestic sockets 16A, 230V ~ (system F - German earthing System)
- 1 CEE socket 16A, 400V, 5p

Cable entry at bottom:

- 1x M20, 1x M25, 1x M32

Connection option:

- for 1 cable up to 5 x 6 mm²



45 MB 21

- Dimension of enclosure: 500 x 420 mm
- Enclosure made of high-quality V2A stainless steel
- Brushed surface
- Door with box lock and single profile cylinder
- Flush-mount adapter frame
- Brush seal prevents dirt and dust from entering when door is closed
- Outgoing cables can be guided out through brush-sealed opening on front side
- Door lockable in connected state
- Easy access to operating elements

Order no. **561844**

Components:

- 2 Domestic sockets 16A, 230V ~ (system F - German earthing System)
- 1 CEE socket 16A, 400V, 5p
- 1 CEE socket 32A, 400V, 5p

Protection:

- 2 C-type MCBs 16A, 1p
- 1 C-type MCB 16A, 3p
- 1 C-type MCB 32A, 3p
- 1 RCCB 63/0.03A, 4p

Cable entry at bottom:

- 1x M25, 1x M32, 1x M40

Connection option:

- for 2 cables up to 5 x 25 mm²



Order no. **562379**

Components:

- 2 Domestic sockets 16A, 230V ~ (system F - German earthing System)
- 2 CEE sockets 16A, 400V, 5p

Protection:

- 2 C-type MCBs 16A, 1p
- 2 C-type MCBs 16A, 3p
- 1 RCCB 40/0.03A, 4p

Cable entry at bottom:

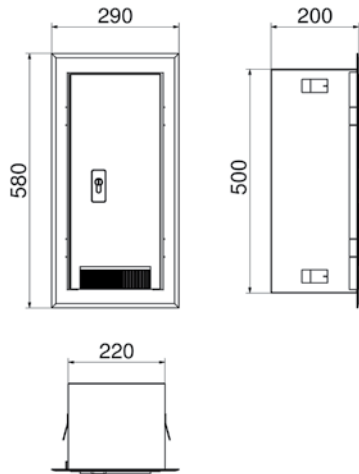
- 1x M25, 1x M32, 1x M40

Connection option:

- for 2 cables up to 5 x 25 mm²



- Ready wired for installation
- Protection degree IP44



45 MB 68

- Dimension of enclosure: 500 x 220 mm
- Enclosure made of high-quality V2A stainless steel
- Brushed surface
- Door with box lock and single profile cylinder
- Flush-mount adapter frame
- Brush seal prevents dirt and dust from entering when door is closed
- Outgoing cables can be guided out through brush-sealed opening on front side
- Door lockable in connected state
- Easy access to operating elements



Order no. **561872**

Components:

1 Domestic socket 16A, 230V ~
(system F - German earthing System)
1 CEE socket 16A, 400V, 5p

Protection:

1 C-type MCB 16A, 1p
1 C-type MCB 16A, 3p
1 RCCB 40/0.03A, 4p

Cable entry at bottom:

1x M32, 1x M40

Connection option:

for 2 cables up to 5 x 25 mm²



Order no. **562378**

Components:

1 Domestic socket 16A, 230V ~
(system F - German earthing System)
1 CEE socket 32A, 400V, 5p

Protection:

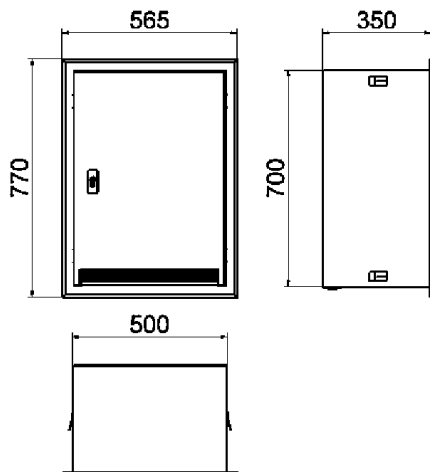
1 C-type MCB 16A, 1p
1 C-type MCB 32A, 3p
1 RCCB 40/0.03A, 4p

Cable entry at bottom:

1x M32, 1x M40

Connection option:

for 2 cables up to 5 x 25 mm²



45 MB 46

- Dimension of enclosure: 700 x 500 mm
- Enclosure made of high-quality V2A stainless steel
- Brushed surface
- Door with box lock and single profile cylinder
- Flush-mount adapter frame
- Brush seal prevents dirt and dust from entering when door is closed
- Outgoing cables can be guided out through brush-sealed opening on front side
- Door lockable in connected state
- Easy access to operating elements



Order no. **562380**

Components:

2 Domestic sockets 16A, 230V ~
(system F - German earthing System)
2 CEE sockets 16A, 400V, 5p
1 CEE socket 32A, 400V, 5p
1 CEE socket 63A, 400V, 5p

Protection:

2 C-type MCBs 16A, 1p
2 C-type MCBs 16A, 3p
1 C-type MCB 32A, 3p
1 RCCB 63/0.03A, 4p

Cable entry at bottom:

1x M40, 1x M50, 1x M63

Connection option:

for 2 cables up to 5 x 25 mm²



Order no. **562376**

Components:

4 Domestic sockets 16A, 230V ~
(system F - German earthing System)
2 CEE sockets 16A, 400V, 5p
2 CEE sockets 32A, 400V, 5p

Protection:

4 C-type MCBs 16A, 1p
2 C-type MCBs 16A, 3p
2 C-type MCBs 32A, 3p
1 RCCB 63/0.03A, 4p

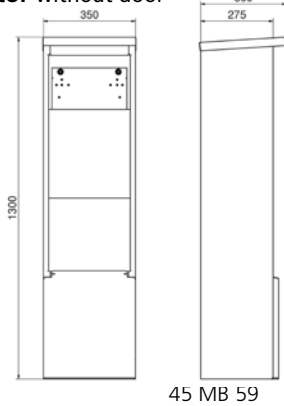
Cable entry at bottom:

1x M40, 1x M50, 1x M63

Connection option:

for 2 cables up to 5 x 25 mm²

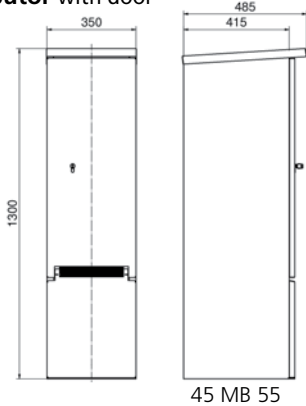
**Power-Port Free-Standing
Distributor without door**



- Dimension of enclosure: 1300 x 350 x 275 mm
- Enclosure made of high-quality V2A stainless steel
- Brushed surface
- Mounting plate for fitting Bals enclosures
- Moveable panel for concealing cables
- Base plate suitable for pedestal mounting
- Available in different colours (optional)

Order no. **580589**

**Power-Port Free-Standing
Distributor with door**



- Dimension of enclosure: 1300 x 350 x 415 mm
- Enclosure made of high-quality V2A stainless steel
- Brushed surface
- Door with box lock and single profile cylinder, internal hinges
- Mounting plate for fitting Bals enclosures
- Brush seal prevents dirt and dust from entering when door is closed
- Outgoing cables can be guided out through brush-sealed opening on front side
- Moveable panel for concealing cable
- Base plate suitable for pedestal mounting
- Available in different colours (optional)

Order no. **580508**

Protective Rain Canopy

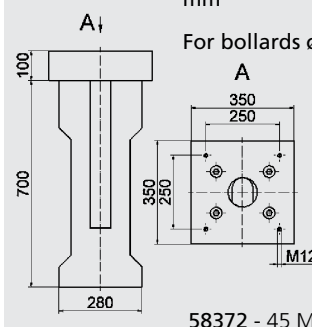
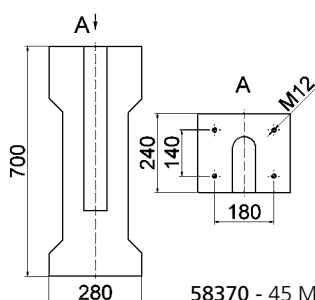
- Enclosure made of high-quality V2A stainless steel
- With side panels
- Brushed surface
- Mounting plate for fitting VARIABOXES
- Available in RAL colours (optional)



Dimensions (mm)	for VARIABOX	Order no.
545x286x328	S, M, L	580511
792x286x328	XL, XXL	580529
662x516x328	L DUO, XL DUO	580521

Concrete Bases

- For ground/floor attachment



For Power Ports and bollards \varnothing 273 mm and \varnothing 324 mm

For bollards \varnothing 250 mm

Order no.

58370

58372

EMPTY ENCLOSURE

Plastic Enclosures

■ Made of high-grade plastic

Distributor Enclosure

- Made of high-grade, impact-resistant plastic
- Cover screws made of plastic

Metric cable entry on request.

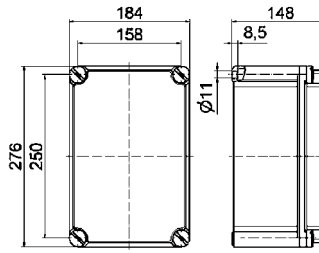


Fig.: Type 61133

30 MB 121

Order number

61133

Distributor Enclosure

- Made of high-grade, impact-resistant plastic
- Cover screws made of plastic

Metric cable entry on request.

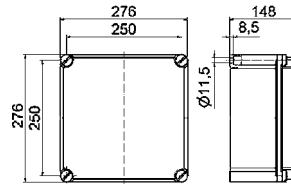
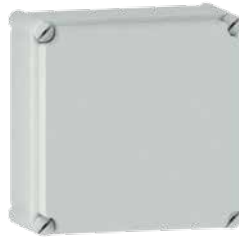


Fig.: Type 61134

30 MB 122

Order number

61134

Distributor Enclosure

- Made of high-grade, impact-resistant plastic
- With transparent hinged window
- 9 modules
- Cover screws made of plastic
- DIN rail

Metric cable entry on request.

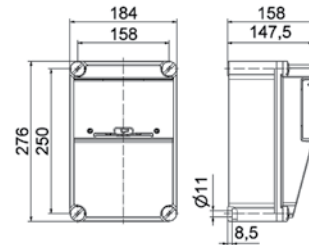


Fig.: Type 61402

30 MB 145

Order number

61402

Distributor Enclosure

- Made of high-grade, impact-resistant plastic
- Cover screws made of plastic

Metric cable entry on request.

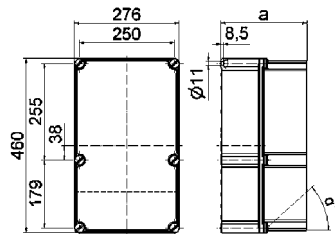


Fig.: Type 6170

30 MB 98

α	a	Order number
0°	148	6171
0°	228	6170
25°	228	6173
42°	228	6172

Mounting plate **58040**

Distributor Enclosure

- Made of high-grade, impact-resistant plastic
- Cover screws made of plastic

Metric cable entry on request.

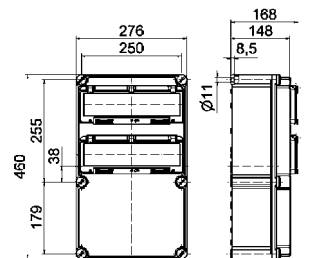


Fig.: Type 61101

30 MB 137

Order number

61101

2 hinged windows for every 13 modules on top-hat rail

61128

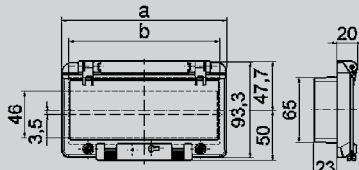
3 hinged windows for every 13 modules on top-hat rail

Mounting plate

58040

Hinged Window

- Self-closing
- With protection against accidental contact



30 MB 96



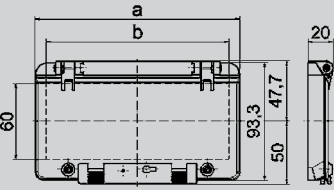
Fig.: Type 58009

Module unit	Dimension a	Dimension b	Order number
2	55.0	40.5	5881
4	91.0	76.5	5890
6	127.0	112.5	5899
8	162.0	147.5	58009
12	234.0	220.0	58018
13	257.5	248.5	58027

In the case of hinged windows for use with DIN screws (order No. 58036), add -GWE to the end of the order number.

Hinged Window

- Self-closing
- Without protection against accidental contact



30 MB 95



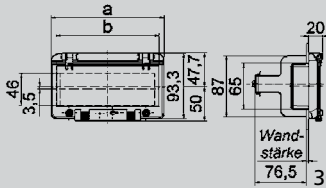
Fig.: Type 58010

Module unit	Dimension a	Dimension b	Order number
2	55.0	37.0	5882
4	91.0	73.0	5891
6	127.0	109.0	58001
8	162.0	144.5	58010
12	234.0	217.0	58019
13	257.5	240.0	58028

In the case of hinged windows for use with DIN screws (order No. 58036), add -GWE to the end of the order number.

Hinged Window

- Self-closing
- With protection against accidental contact and mounting bracket



30 MB 97

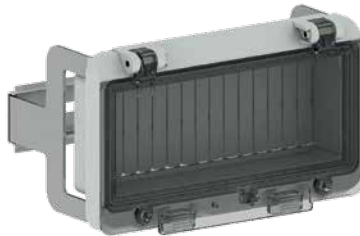


Fig.: Type 58013

Module unit	Dimension a	Dimension b	Order number
2	55.0	40.5	5885
4	91.0	76.5	5894
6	127.0	112.5	58004
8	162.0	147.5	58013
12	234.0	220.0	58022
13	257.5	248.5	58031

In the case of hinged windows for use with DIN screws (order No. 58036), add -GWE to the end of the order number.

Lock Set

- Protection against unauthorised use by means of retrofittable lock
- Can be installed in hinged window



Fig.: Type 58037-BE

Order number
58037-BE

DIN Screws

- For additional locking device
- Retrofittable



Fig.: Type 58036

Can only be used in operating windows with order No.-GWE.

Order number
58036



WE OFFER APPRENTICESHIPS IN THE FOLLOWING PROFESSIONS:

- Industrial business manager
- Technical product designer
Machine and plant engineering
- Specialist for warehouse logistics
- Toolmaker
Mould engineering
- Process technician for plastic and rubber technology
Moulded parts
- Cutting machine operator
- Electronic engineer
Operations technology

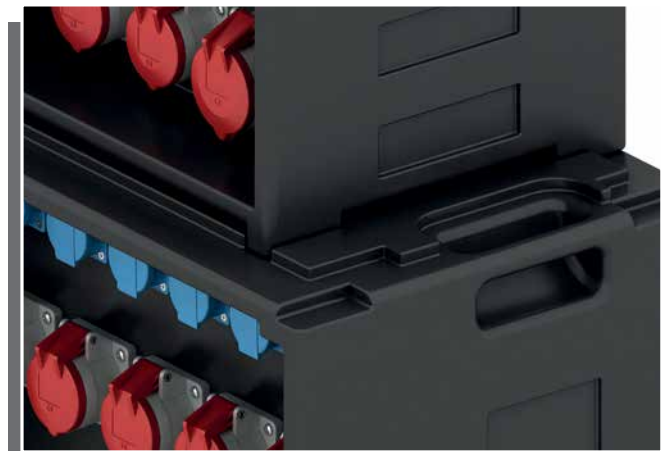
You can find information about our apprenticeships on our website!

The new EVOBOX series is the ideal solution for mobile power supply in industry, on construction sites or in event technology. The portable distributor series is available in 4 coordinated housing sizes and impresses with its high mechanical and thermal capacity.

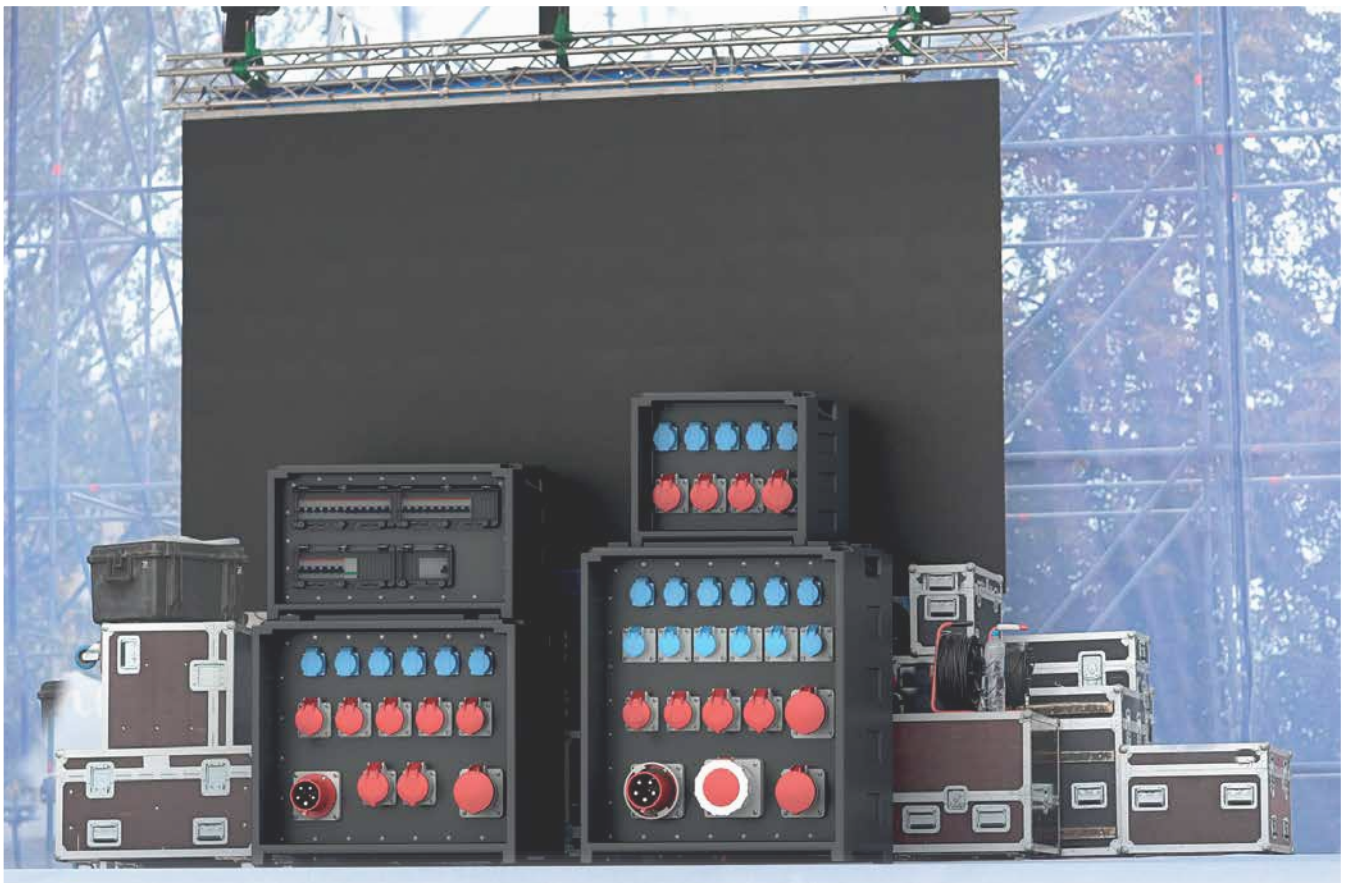
- Light and easy-to-handle, using hard Polyethylene
- Overall protection degree of the distributor is IP54
- High mechanical and thermal capacity
- Perfectly stackable
- Maintenance-free Quick-Connect technology for CEE and domestic sockets
- Available in 4 different sizes
- Fuse elements protected under robust operating window
- No protruding components
- With 2 integrated carry handles
- Pre-punched recesses make it possible to affix inscription labels
- All distributors are equipped with an earthing screw (external earthing screw) outside the housing as standard
- Distributor outlets and fuse elements each separately on one side



Optional also equipped with Power Lock



Lateral recesses for inscription labels



- The fuse for the CEE socket phases is optionally 1 pole or multi-pole
- The internal wiring is designed for the highest possible safety via the specification standard
- The CEE sockets have been arranged so the IP67 plugs and sockets can be plugged in easily
- The domestic sockets are equipped with additional sealing edges as standard in accordance with DIN VDE 0620 for portable distributors.

Optional:

- All panel mounting sockets are available in version IP67
- Phase control lights are easily visible under operating windows
- The built-in connector systems are also available completely in black
- The housing can be blue, red and orange (quantity dependent)
- Installation of overvoltage protection

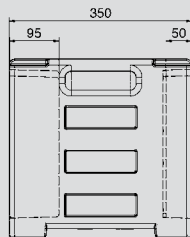
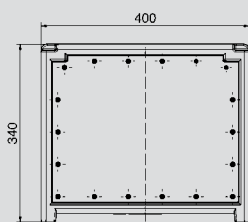


Safe to stack even with different EVOBOX distributor sizes



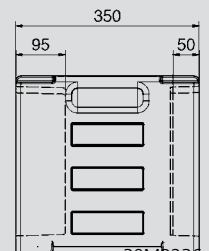
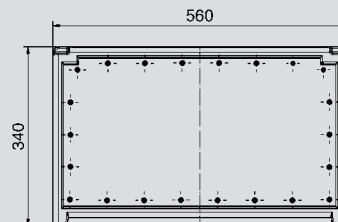
External earthing screw

EVOBOX -S
by Bals



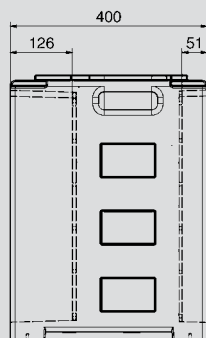
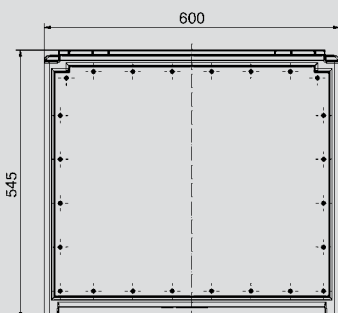
30MB235

EVOBOX -M
by Bals



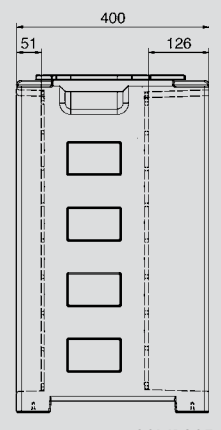
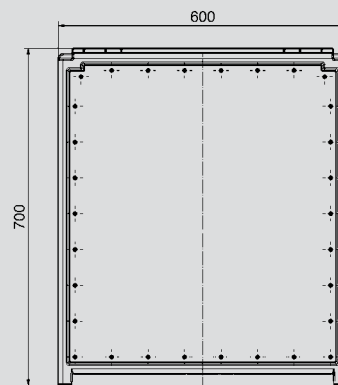
30MB236

EVOBOX -L
by Bals



30MB237

EVOBOX -XL
by Bals



30MB205

INDEX

Order no.	Page/Pos.	Order no.	Page/Pos.	Order no.	Page/Pos.	Order no.	Page/Pos.
100	214/1	433	167/2	1133	30/2	1398	63/1
101	214/1	434	167/2	1134	30/2	1399	63/1
103	214/2	435	167/2	1135	30/2	1500	38/1
106	214/2	436	167/2	1136	30/2	1501	38/2
107	33/2	437	167/2	1137	30/2	1502	38/2
108	33/2	438	167/2	1138	30/2	1503	38/2
109	33/4	439	167/2	1139	30/2	1504	38/1
109-QC	33/1	460	168/3	1140	30/2	1505	38/1
119	206/1	461	168/3	1141	30/2	1506	38/1
129	67/1	462	168/3	1142	30/2	1507	38/2
134	58/1	463	168/3	1143	30/2	1508	38/2
136	58/1	464	168/3	1144	30/2	1509	38/2
140	69/3	465	168/3	1145	30/2	1529	38/1
141	69/3	466	168/3	1146	30/2	1530	38/1
142-BE	69/3	467	168/3	1147	30/2	1531	38/2
146	69/3	468	168/3	1148	30/2	1532	38/2
147	69/3	469	168/3	1149	30/2	1533	38/1
156	38/1	546	135/1	1150	30/2	1534	38/1
158	38/1	591	218/1	1151	30/2	1535	38/2
159	38/1	592	218/2	1152	30/2	1536	38/2
174	48/1	712	108/1	1153	30/2	1537	39/1
175	48/1	713	108/1	1154	30/2	1565	40/1
176	48/1	714	108/1 + 204/1	1155	30/2	1580	44/1
177	48/1	724	112/1	1156	31/2	1582	39/1
178	48/1	726	112/1	1157	31/2	1583	39/1
179	48/1	735	190/4	1158	31/2	1584	39/1
180	73/1	736	112/5	1159	31/2	1585	39/1
181	73/2	737	112/5	1160	31/2	1586	39/1
182	72/3	745	190/6	1161	31/2	1587	39/1
183-BE	72/4	746	113/3	1162	31/2	1588	39/1
185-BE	73/3	747	113/3	1163	31/2	1594	39/1
187	72/2	749	113/4	1164	31/2	1595	39/1
188	72/2	753	190/5	1183	37/1	1596	39/1
189	72/2	754	113/1	1184	37/1	1597	39/1
203-TLS	216/1	755	113/1	1185	37/1	1598	42/1
204-TLS	216/1	770	111/1	1186	37/1	1599	42/1
219	207/1	772	111/3	1200	67/1	1610	45/1
224	96/1	776	111/2	1201	61/2	1611	45/1
225	96/1	779	111/4	1202	61/2	1616	45/1
226	96/1	812	208/5	1203	67/1	1619	45/1
227	96/1	813	208/5	1204	61/2	1641	45/1
231	80/3 + 203/6	814	208/5	1205	67/1	1642	45/1
235	80/3	815	208/5	1206	67/1	1674	36/5
236	80/3	816	208/5	1207	61/2	1675	36/5
240	81/1 + 207/3	817	208/5	1208	61/2	1676	36/5
242	83/1 + 207/5	830	102/3	1213	215/1	1734	48/1
245	81/3	831	102/3	1214	215/1	1735	48/1
249	81/3	832	102/3	1215	215/1	1736	48/1
251	206/4	833	102/3	1262	215/3	1770	49/1
254	206/5	834	102/3	1263	215/3	1771	49/1
255	206/5	835	102/3	1264	215/3	1773	49/1
258	206/5	837	102/3	1299	67/3	1775	48/1
260	89/1	860	98/5	1301	58/1	1776	48/1
261	89/1	1010-QC	33/1	1304	58/1	1777	48/1
262	89/1	1011	33/4	1305	58/1	1778	48/1
263	89/1	1012	33/2	1306	58/1	1779	49/1
264	89/1	1013	33/3	1307	58/1	1780	49/1
265	89/1	1015	33/5	1308	58/1	1781	49/1
266	89/1	1017	33/5	1309	58/1	1782	49/1
267	89/1	1018	33/5	1322	214/3	1783	48/1
268	89/1	1019	33/5	1323	214/3	1784	48/1
303-TLS	217/1	1020	33/4	1324	214/3	1785	48/1
304-TLS	217/1	1104	29/2	1325	214/3	1786	48/1
410	167/1	1106	29/2	1326	214/3	1787	49/1
411	167/1	1107	29/2	1327	214/3	1788	49/1
412	167/1	1108	29/2	1331	214/3	1789	49/1
413	167/1	1112	31/2	1332	214/3	1790	49/1
414	167/1	1113	214/2	1333	214/3	1791	49/1
415	167/1	1114	214/2	1368	215/2	1792	49/1
416	167/1	1115	214/2	1369	215/2	1793	48/1
417	167/1	1116	214/2	1370	215/2	1794	48/1
418	167/1	1117	214/2	1371	215/2	1795	49/1
419	167/1	1118	214/2	1372	215/2	1796	49/1
420	168/1	1119	214/2	1373	215/2	1797	50/1
421	168/1	1120	214/2	1374	215/2	1798	50/1
422	168/1	1121	214/2	1375	215/2	1799	50/1
423	168/1	1122	214/2	1376	215/2	1843	72/1
424	168/1	1123	214/2	1377	215/2	1847	72/1
425	168/1	1124	29/2	1378	215/2	1848	72/1
426	168/1	1125	29/2	1379	215/2	1849	72/1
427	168/1	1126	29/2	1380	215/2	1850	72/1
428	168/1	1127	29/2	1381	215/2	1851	72/1
429	168/1	1128	29/2	1382	215/2	1852	72/2
430	167/2	1129	29/2	1395	63/1	1854	72/2
431	167/2	1130	29/2	1396	63/1	1862	73/5
432	167/2	1132	30/2	1397	63/1	1863	73/5

Order no.	Page/Pos.	Order no.	Page/Pos.	Order no.	Page/Pos.	Order no.	Page/Pos.
1896	73/5	2324	174/4	2658	89/2	3142	99/1
2104	78/3	2400	83/2 + 207/6	2659	90/2	3147	99/1
2125	78/1	2402	85/1	2660	90/2	3148	99/1
2126	78/1 + 207/2	2415	81/3	2661	90/2	3149	99/3
2129	78/1	2448	81/1	2662	89/1	3150	99/3
2130	78/1	2461	83/3	2663	89/1	3151	99/3
2135	78/1	2465	83/3	2664	89/1	3152	99/3
2136	78/1	2469	84/1	2665	90/1	3153	99/3
2137	78/1	2470	84/1	2666	90/1	3154	99/3
2138	78/1	2471	84/1	2667	90/1	3180	100/3
2141	78/1	2472	85/1	2671	89/2	3181	100/3
2142	78/1	2473	85/1	2674	96/6	3182	100/3
2147	78/1	2474	85/1	2679	89/1	3183	100/3
2148	78/1	2475	85/1	2684	89/1	3184	100/3
2149	78/3	2476	85/1	2685	89/2	3185	100/3
2150	78/3	2477	85/1	2694	90/1	3186	100/3
2151	78/3	2478	85/1	2702	187/1	3187	100/3
2152	78/3	2479	85/1	2703	187/1	3188	100/3
2153	78/3	2480	85/1	2704	187/2	3190	101/1
2154	78/3	2481	85/1	2735	92/3	3191	101/1
2155	78/3	2482	85/1	2736	92/3 + 95/5	3192	101/1
2180	79/3	2483	85/1	2737	92/3 + 95/5	3193	101/1
2181	79/3	2484	85/2	2738	92/3	3194	101/1
2182	79/3	2485	85/2	2739	92/3 + 95/5	3195	101/1
2183	79/3	2486	85/2	2740	92/3 + 95/5	3196	101/1
2184	79/3	2487	85/2	2741	95/5	3197	101/1
2185	79/3	2488	85/2	2742	92/3	3198	101/1
2186	79/3	2489	85/2	2743	92/3 + 95/5	3199	101/1
2187	79/3	2490	85/2	2744	92/3 + 95/5	3208	101/3
2188	79/3	2491	85/2	2745	187/1	3209	101/3
2189	79/3	2492	85/2	2770	91/2	3210	101/3
2190	80/1	2493	85/2	2771	91/2 + 95/2	3211	101/3
2191	80/1	2494	85/2	2772	91/2 + 95/2	3212	101/3
2192	80/1	2495	85/2	2773	91/2	3213	101/3
2193	80/1	2600	89/1	2774	91/2 + 95/2	3214	101/3
2194	80/1	2601	90/1	2775	91/2 + 95/2	3215	101/3
2195	80/1	2602	96/5	2776	95/2	3216	101/3
2196	80/1	2603	96/5	2779	91/2	3217	101/3
2197	80/1	2604	90/2	2780	91/2 + 95/2	3218	101/3
2198	80/1	2607	97/3	2781	91/2 + 95/2	3219	101/3
2199	80/1	2608	97/3	2783	92/1 + 95/3	3220	101/3
2210	98/1	2610	89/1	2786	92/1 + 95/3	3221	101/3
2211	98/1	2611	89/1	2787	92/1 + 95/3	4107	167/1
2212	98/1	2612	89/1	2793	92/1 + 95/3	4110	167/1
2213	98/1	2613	90/1	2833	93/3	4111	167/1
2214	98/1	2614	90/1	2834	93/3	4112	167/1
2215	98/1	2615	90/1	2835	94/2	4113	167/1
2216	98/1	2616	90/1	2836	94/2	4114	167/1
2217	98/1	2617	90/1	2837	93/3	4115	167/1
2218	98/1	2618	90/1	2838	94/2	4116	167/1
2219	98/1	2619	90/1	2841	93/3	4117	167/1
2220	98/1	2620	90/1	2842	94/2	4118	167/1
2221	98/1	2621	90/1	2853	188/2	4119	167/1
2222	98/1	2622	90/1	2857	97/2	4120	167/1
2223	98/1	2623	90/1	2858	93/3	4121	167/1
2224	98/1	2624	90/1	2860	94/3	4157	167/1
2225	98/1	2625	89/2	2861	94/3	4210	168/1
2226	98/1	2626	89/2	2864	93/3	4211	168/1
2227	98/1	2627	89/2	2869	93/3	4212	168/1
2228	98/3	2628	89/2	2870	97/2	4213	168/1
2229	98/3	2629	89/2	2876	94/3	4214	168/1
2230	98/3	2630	89/2	2880	93/3	4215	168/1
2231	98/3	2631	89/2	2881	94/2	4216	168/1
2232	98/3	2632	89/2	2882	94/3	4217	168/1
2233	98/3	2633	89/2	2892	188/1	4218	168/1
2234	98/2	2634	89/2	2893	188/1	4219	168/1
2235	98/2	2635	89/2	2894	188/1	4220	168/1
2236	98/2	2636	89/2	2895	188/1	4221	168/1
2251	96/3	2637	90/2	2896	188/1	4222	168/2
2252	96/3	2638	90/2	2897	188/1	4223	168/2
2266	96/3	2639	90/2	2898	93/2	4224	168/2
2267	96/3	2640	90/2	2899	94/1	4225	168/2
2271	96/2	2641	90/2	3104	99/3	4226	168/2
2286	96/2	2642	90/2	3108	99/3	4227	168/2
2287	96/2	2643	90/2	3109	99/3	4228	168/2
2288	96/2	2644	90/2	3112	99/3	4229	168/2
2298	182/5	2645	90/2	3124	100/3	4230	168/2
2300-BE	80/3	2646	90/2	3125	99/1	4231	168/2
2311	174/4	2647	90/2	3126	99/1 + 208/1	4232	168/2
2316	174/4	2648	90/2	3129	99/1	4233	168/2
2318	174/4	2649	89/1	3130	99/1	4234	168/2
2319	174/4	2650	90/1	3135	99/1	4235	168/2
2320	174/4	2652	96/5	3136	99/1	4236	168/2
2321	174/4	2655	89/2	3137	99/1	4237	168/2
2322	174/4	2656	89/2	3138	99/1	4238	168/2
2323	174/4	2657	89/2	3141	99/1	4239	168/2

INDEX

Order no.	Page/Pos.	Order no.	Page/Pos.	Order no.	Page/Pos.	Order no.	Page/Pos.
4240	168/2	4611	168/3	11190-BE	37/1	11755	214/2
4241	168/2	4612	168/3	11193	214/2	11765	214/1
4242	168/2	4613	168/3	11208	29/2	11785	36/1
4243	168/2	4614	168/3	11219	214/2	11786	36/1
4274	168/1	4615	168/3	11221	29/2	11787	36/1
4310	167/2	4616	168/3	11320	30/2	11790	35/1
4311	167/2	4617	168/3	11326	30/2	11794	214/2
4312	167/2	4618	168/3	11334	172/2	11795	29/2
4313	167/2	4619	168/3	11341	31/2	11796	34/2
4314	167/2	4620	168/3	11342	30/2	11797	34/2
4315	167/2	4621	168/3	11343	30/2	11798	34/2
4316	167/2	5881	228/1	11344	214/2	11799	34/2
4317	167/2	5882	228/2	11345	29/2	11800	34/5
4318	167/2	5885	228/3	11350	30/2	11801	34/5
4319	167/2	5890	228/1	11368	31/2	11802	34/5
4320	167/2	5891	228/2	11375	214/2	11803	34/5
4321	167/2	5894	228/3	11389	37/1	11812	35/5
4354	167/3	5899	228/1	11390	30/2	11813	35/5
4355	167/3	6170	227/4	11424	214/2	11814	35/5
4356	167/3	6171	227/4	11425	214/2	11815	35/5
4357	167/3	6172	227/4	11426	214/2	11822	35/3
4358	167/3	6173	227/4	11429	29/2	11823	35/3
4359	167/3	7108	190/1	11432	30/2	11824	35/3
4360	167/3	7112	108/4	11433	31/2	11825	35/3
4361	167/3	7114	190/2	11436	31/3	11826	35/4
4362	167/3	7115	190/3	11437	31/3	11827	35/4
4363	167/3	7119	108/4	11438	31/3	11828	35/4
4364	167/3	7139	109/1	11439	31/3	11829	35/4
4365	167/3	7142	109/1	11440	31/3	11832	214/1
4366	167/3	7153	109/3	11441	31/3	11836	214/1
4367	167/3	7154	108/5	11442	31/3	11849	214/2
4368	167/3	7163	109/4	11443	31/3	11879	31/1
4369	167/3	7168	108/5	11444	31/3	11889	165/2
4370	167/3	7185	190/1	11445	31/3	11895	28/1
4371	167/3	7186	190/3	11446	31/3	11897	214/1
4372	167/3	7245	112/2	11447	31/3	11905	28/1
4373	167/3	7246	112/2	11448	34/3	11906	28/2
4374	167/3	7370	112/4 + 208/3	11449	34/3	11907	28/2
4375	167/3	7371	112/4 + 208/3	11451	34/3	11909	28/3
4390	167/2	7372	112/4 + 204/4	11452	35/1	11910	28/1
4422	169/1	7400	191/1	11453	35/1	11912	28/1
4423	169/1	7416	113/3	11455	35/1	11914	28/1
4424	169/1	7423	191/1	11461	31/1	11918	28/1
4425	169/1	7424	190/6	11476	32/2	11919	28/1
4426	169/1	7432	113/4	11477	32/2	11921	28/1
4427	169/1	7455	113/3	11478	32/2	11922	28/1
4428	169/1	7486	113/2 + 208/4	11479	32/2	11924	28/1
4429	169/1	7487	113/2 + 208/4	11480	162/1	11928	28/2
4430	169/1	7488	113/2 + 204/5	11481	162/1	11930	28/2
4431	169/1	7490	113/2 + 208/4	11482	162/1	11931	28/2
4432	169/1	8156	113/5	11483	162/1	11932	28/2
4433	169/1	8158	113/5	11485	34/1	11933	28/2
4434	169/1	8178	208/5	11487	34/1	11934	28/2
4435	169/1	8189	113/5	11492	30/3	11944	28/3
4436	169/1	8190	113/5	11493	30/3	11945	28/3
4437	169/1	8191	113/5	11496	31/1	11947	28/3
4438	169/1	8192	113/5	11538	34/1	11948	28/3
4439	169/1	8198	113/6	11542	163/1	11949	28/3
4440	169/1	8199	113/6	11554	37/1	11955	28/3
4441	169/1	8335	191/2	11555	31/1	11956	28/3
4442	169/1	8336	191/2	11556	181/1	11957	28/3
4443	169/1	8337	191/2	11566	30/3	11960	28/3
4481	169/1	8338	191/2	11579	30/3	11962	28/3
4522	169/2	8339	191/2	11580	31/1	11963	28/3
4523	169/2	8340	191/2	11616	214/2	11968	34/1
4524	169/2	8341	191/2	11630	30/3	11972	34/1
4525	169/2	8614	98/4 + 208/2	11634	163/1	11973	34/1
4526	169/2	8615	98/4 + 208/2	11635	163/2	11977	34/1
4527	169/2	8618	98/4	11640	29/2	11978	34/1
4528	169/2	8955	200/3	11645	214/1	11979	34/1
4529	169/2	8956	200/3	11646	214/1	11983	34/1
4530	169/2	11014	36/3	11651	214/1	11984	34/1
4531	169/2	11017	31/2	11652	214/1	11985	34/1
4532	169/2	11019	172/2	11653	214/1	11989	34/1
4533	169/2	11023	214/2	11714	163/2	11990	34/1
4534	169/2	11025	30/2	11722	214/1	11991	34/1
4535	169/2	11027	30/2	11723	214/1	11995	34/3
4536	169/2	11032	170/1	11724	214/1	11997	34/4
4537	169/2	11038	36/3	11725	214/1	11998	34/4
4538	169/2	11051	29/2	11726	214/1	11999	34/4
4539	169/2	11052	36/3	11735	214/1	12000	67/1
4540	169/2	11124	214/2	11736	214/1	12001	67/1
4541	169/2	11126	31/2	11737	214/1	12002	67/1
4542	169/2	11146	214/2	11738	214/1	12003	67/1
4543	169/2	11155	30/3	11739	214/1	12004	67/1
4610	168/3	11156	31/1	11748	31/2	12020	69/1

Order no.	Page/Pos.	Order no.	Page/Pos.	Order no.	Page/Pos.	Order no.	Page/Pos.
12025	69/1	12389	67/1	12767	59/3	12862	59/3
12032	66/1	12390	162/3	12768	59/3	12863	59/3
12034	172/6	12391	162/3	12769	59/3	12864	59/3
12035	67/1	12392	162/3	12770	59/3	12865	59/3
12039	67/1	12393	162/3	12771	60/1	12866	59/3
12052	69/1	12394	163/4	12772	60/1 + 236/3	12867	59/3
12053	69/1	12395	163/4	12773	60/1	12868	59/3
12054	69/1	12396	163/4	12774	60/1	12869	59/3
12055	67/3	12397	163/4	12775	60/1	12870	59/3
12065	172/6	12398	70/3	12776	60/1	12871	59/3
12074	61/1	12401	70/3	12777	60/1	12872	59/3
12076	215/1	12405	70/4	12778	60/1	12873	59/3
12077	215/1	12406	70/4	12779	60/1	12874	60/1
12078	215/1	12407	70/4	12780	60/1	12876	70/3
12079	215/1	12408	70/4	12781	60/1	12877	70/3
12080	215/1	12409	71/4	12782	60/1	12878	70/3
12081	215/1	12410	71/4	12783	60/1	12880	70/3
12082	215/3	12483	215/1	12784	60/1	12882	70/3
12083	215/3	12484	215/1	12785	60/1	12883	70/3
12084	215/3	12485	215/1	12786	60/1	12884	70/3
12085	185/1	12491	215/1	12787	60/1	12917	65/2
12086	185/1	12500	215/1	12788	60/1	12919	71/3
12087	185/1	12502	215/3	12789	60/1	12920	71/3
12088	185/2	12511	68/3	12790	60/1	12921	71/3
12100	67/3 + 71/5	12520	215/1	12791	60/1	12922	71/3
12101	67/3 + 71/5	12555	68/2	12792	60/1	12924	71/3
12102	67/3	12563	61/1	12793	60/1	12925	71/3
12103	67/3 + 71/5	12565	61/1	12794	60/1	12926	71/3
12104	67/3 + 71/5	12566	61/1	12795	60/1	12927	71/3
12105	67/3 + 71/5	12567	61/1	12796	60/1	12928	71/3
12106	67/3	12568	61/1	12797	60/1	12929	65/2
12107	67/3 + 71/5	12569	66/1	12798	60/1	12930	65/2
12108	67/3 + 71/5	12570	66/1	12799	60/1	12931	65/2
12133	67/3 + 71/5	12571	66/1	12800	60/1	12952	215/1
12134	61/2	12572	66/1	12801	60/1	12953	185/2
12135	61/2	12573	66/1	12802	60/1	12954	185/2
12136	61/2	12574	66/1	12803	60/1	12955	185/2
12137	61/2	12596	68/2	12804	60/1	12990	206/2
12138	61/2	12614	215/3	12805	60/2	13000	214/3
12139	69/1	12616	68/3	12806	60/2	13001	214/3
12144	170/3	12646	68/2	12808	65/1	13002	214/3
12153	61/2	12648	68/2	12809	65/1	13003	214/3
12156	71/4	12649	68/2	12810	65/1	13004	214/3
12160	71/4	12650	68/2	12811	65/1	13005	214/3
12169	185/1	12651	68/2	12812	65/1	13006	214/3
12171	67/1	12652	68/2	12813	65/2	13007	214/3
12191	185/2	12653	68/2	12814	65/2	13008	214/3
12195	61/2	12689	165/6	12815	65/2	13009	214/3
12205	71/3	12699	185/1	12816	65/2	13010	214/3
12217	215/1	12700	185/1	12817	65/2	13011	214/3
12230	61/2	12717	215/3	12818	65/2	13012	214/3
12231	215/3	12730	60/1	12819	65/2	13013	214/3
12233	67/1	12731	59/1	12820	65/2	13014	214/3
12235	185/1	12732	59/1	12821	65/2	13021	181/2
12236	185/1	12733	59/1	12822	65/2	13023	215/2
12237	185/1	12734	59/1	12823	65/2	13024	215/2
12238	185/1	12735	59/1	12824	65/2	13025	215/2
12239	185/2	12736	59/1	12825	65/3	13026	215/2
12240	185/2	12739	59/1	12826	65/3	13027	215/2
12241	185/2	12740	59/1	12831	65/3	13028	215/2
12242	185/1	12741	59/1	12832	65/3	13029	215/2
12251	172/6	12742	59/1	12833	65/3	13030	215/2
12264	185/2	12743	59/2	12834	65/3	13031	215/2
12275	172/6	12744	59/2	12835	65/3	13032	184/1
12278	67/3	12745	59/2	12836	65/3	13033	184/1 + 214/3
12280	185/1	12746	59/2	12837	65/3	13034	184/1 + 214/3
12310	215/1	12747	59/2	12838	65/3	13042	214/3
12311	215/1	12748	59/3	12839	65/3	13043	214/3
12320	67/3	12749	59/3	12840	65/3	13044	215/2
12324	215/1	12750	59/3	12841	65/3	13048	69/2
12325	215/1	12751	59/3	12842	65/3	13050	214/3
12326	215/3	12752	59/3	12843	65/3	13051	58/1
12327	215/3	12753	59/3	12844	65/3	13053	214/3
12328	215/3	12754	59/3	12846	65/3	13058	214/3
12329	215/3	12755	59/3	12847	65/3	13064	184/1
12334	67/3	12756	59/3	12848	65/3	13065	184/1
12340	185/1	12757	59/3	12849	65/3	13066	184/1
12341	185/2	12758	59/3	12850	65/3	13067	184/2
12342	185/2	12759	59/3	12851	65/3	13070	170/2
12343	185/2	12760	59/3	12852	65/3	13075	172/4
12360	68/3	12761	59/3	12853	65/3	13076	214/3
12368	215/1	12762	59/3	12854	65/3	13077	58/1
12369	215/1	12763	59/3	12855	65/3	13083	71/1
12381	61/2	12764	59/3	12856	65/3	13098	184/1
12382	61/2	12765	59/3	12857	65/3	13100	63/1
12383	61/2	12766	59/3	12861	59/3	13101	63/1

INDEX

Order no.	Page/Pos.	Order no.	Page/Pos.	Order no.	Page/Pos.	Order no.	Page/Pos.
13102	63/1	13667	56/3	13757	62/2	15098	38/2
13103	63/1	13668	56/3	13758	62/2	15099	38/2
13104	63/1	13669	56/3	13759	62/2	15100	38/2
13105	69/2	13670	56/3	13760	62/2	15101	38/1
13106	69/2	13671	56/3	13761	62/2	15102	38/1
13107	69/2	13672	56/3	13762	62/2	15103	38/1
13108	69/2	13673	56/3	13763	62/2	15104	38/1
13140	58/1	13674	56/3	13764	62/2	15105	38/1
13144	70/1	13675	56/3	13765	62/2	15106	38/2
13146-BE	69/2	13676	56/3	13771	70/1	15107	38/2
13156	71/1	13677	56/3	13773	70/1	15108	38/2
13157	71/1	13678	56/3	13774	70/1	15109	38/2
13159	71/1	13679	56/3	13775	70/1	15110	38/2
13166	184/1	13680	56/3	13776	70/1	15111	40/1
13167	214/3	13681	56/3	13777	70/1	15112	40/1
13168	58/1	13682	56/3	13810	71/1	15113	40/1
13173	214/3	13683	56/3	13812	71/1	15114	40/1
13175	184/1	13684	56/3	13813	71/1	15115	40/1
13182	184/1	13685	56/1	13814	71/1	15116	40/1
13183	184/1	13686	56/1	13815	71/1	15121	40/1
13184	184/1	13687	56/1	13816	71/1	15122	40/1
13186	184/2	13688	56/1	13822	165/3	15123	40/1
13187	184/2	13689	56/1	13839	184/2	15124	40/1
13188	184/2	13690	56/1	13840	184/2	15125	39/1
13189	184/1	13691	56/1	13841	184/2	15126	39/1
13216	214/3	13692	56/1	13849	172/4	15127	40/1
13254	58/1	13693	56/1	13895	57/1	15128	40/1
13264	215/2	13694	56/1	13896	57/1	15129	41/1
13265	215/2	13695	56/1	13898	174/3	15130	41/1
13297	184/1	13696	56/1	13899	174/3	15131	41/1
13298	184/2	13697	56/1	13900	174/3	15132	41/1
13313	214/3	13698	56/1	13901	174/3	15133	42/1
13320	58/1	13699	56/1	13902	174/3	15134	42/1
13321	58/1	13700	56/1	13915	184/2	15138	41/1
13326	162/2	13701	56/1	13916	184/2	15139	41/1
13327	162/2	13702	56/1	13918	184/2	15140	41/1
13328	162/2	13703	56/1	13919	184/2	15141	41/1
13329	162/2	13704	56/1	13920	184/2	15142	42/1
13330	163/3	13705	56/1	13921	184/2	15143	42/1
13331	163/3	13706	56/1	13923	184/2	15144	42/1
13332	163/3	13707	56/1	13924	184/2	15145	42/1
13333	163/3	13708	56/1	13925	184/2	15146	41/1
13334	70/1	13709	56/1	13926	184/2	15147	41/1
13336	70/1	13710	56/1	13927	184/2	15148	41/1
13341	70/2	13711	56/1	13928	184/1	15149	42/1
13342	70/2	13712	56/1	13929	184/1	15150	42/1
13343	70/2	13713	56/1	13930	184/1	15151	42/1
13344	70/2	13714	56/1	13932	184/1	15152	43/1
13376	215/2	13715	56/1	13935	184/1	15153	43/1
13377	215/2	13716	56/1	15000	42/1	15154	43/1
13378	215/2	13717	56/1	15001	42/1	15155	43/1
13379	215/2	13718	56/1	15006	44/2	15156	43/1
13380	215/2	13719	62/1	15007	44/2	15157	44/1
13382	71/2	13720	62/1	15008	44/2	15158	44/1
13383	71/2	13721	62/1	15009	44/2	15159	44/1
13384	71/2	13724	62/1	15013	42/1	15160	44/1
13385	71/2	13725	62/1	15017	41/1	15161	43/1
13432	215/2	13726	62/1	15019	38/1	15162	43/1
13434	64/2	13727	62/1	15024	38/2	15163	43/1
13435	64/2	13730	62/1	15027	40/1	15164	43/1
13436	64/2	13731	62/1	15028	40/1	15165	44/1
13442	64/2	13732	62/1	15029	39/1	15166	44/1
13445	64/1	13733	62/2	15030	39/1	15167	44/1
13447	64/1	13734	62/2	15035	41/1	15168	44/1
13448	64/1	13735	62/2	15036	41/1	15169	44/1
13449	64/1	13736	62/2	15038	43/1	15170	44/1
13451	64/1	13737	62/2	15042	44/2	15171	44/1
13452	64/1	13738	62/2	15043	44/2	15172	41/1
13476	70/1	13739	62/2	15044	39/1	15174	42/1
13515	64/2	13740	62/2	15045	39/1	15175	42/1
13592	58/1	13741	62/2	15047	44/1	15176	40/1
13613	165/4	13742	62/2	15052	41/1	15177	40/1
13633	184/1	13743	62/2	15058	41/1	15239	38/1
13646	56/2	13744	62/2	15059	38/1	15240	38/2
13647	184/2	13745	62/2	15072	44/1	15352	40/1
13656	56/2	13746	62/2	15075	44/1	15382	38/1
13657	56/2	13747	62/2	15076	39/1	15383	38/2
13658	56/2	13748	62/2	15077	39/1	15384	38/1
13659	56/2	13749	62/2	15078	40/1	15385	38/2
13660	56/2	13750	62/2	15079	40/1	15386	38/1
13661	56/2	13751	62/2	15080	42/1	15387	38/2
13662	56/2	13752	62/2	15081	41/1	15388	40/1
13663	56/2	13753	62/2	15082	41/1	16008	45/1
13664	56/2	13754	62/2	15083	42/1	16038	45/2
13665	56/2	13755	62/2	15095	38/1	16039	45/2
13666	56/2	13756	62/2	15096	38/1	16040	46/2

Order no.	Page/Pos.	Order no.	Page/Pos.	Order no.	Page/Pos.	Order no.	Page/Pos.
16041	46/2	17040	50/1	17314	49/1	17632	54/4
16042	45/2	17041	51/1	17315	49/1	17635	54/5
16043	45/2	17042	51/1	17316	50/1	17638	54/5
16050	182/3	17044	50/1	17317	50/1	17642	55/1
16058	45/2	17045	50/1	17319	51/1	17646	55/1
16059	46/2	17046	51/1	17320	51/1	17649	55/2
16060	45/2	17047	51/1	17322	50/1	17652	55/2
16064	45/2	17055	48/1	17323	50/1	17656	55/3
16065	46/2	17056	48/1	17324	50/1	17660	55/3
16066	45/2	17057	48/1	17325	50/1	17663	55/4
16070	36/4	17058	48/1	17328	51/1	17666	55/4
16071	36/4	17059	48/1	17329	51/1	17669	55/5
16072	36/4	17060	48/1	17330	51/1	17672	55/5
16093	45/3	17061	49/1	17331	51/1	17847	48/1
16097	45/2	17062	49/1	17335	48/1	18048	73/4
16104	46/2	17063	49/1	17336	49/1	18049	73/4
16123	45/2	17064	49/1	17337	48/1	21000-TLS	216/1
16124	46/2	17065	49/1	17338	48/1	21001-TLS	216/1
16125	46/3	17066	49/1	17339	48/1	21002-TLS	216/1
16138	46/1	17162	49/1	17340	49/1	21003-TLS	216/1
16374	164/1	17163	50/1	17341	49/1	21004-TLS	216/1
16378	164/2	17164	50/1	17342	49/1	21005-TLS	216/1
16380	164/3	17165	50/1	17343	50/1	21006-TLS	216/1
16441	164/1	17166	50/1	17344	50/1	21009-TLS	216/1
16445	164/2	17167	50/1	17345	51/1	21010-TLS	216/1
16447	164/3	17168	50/1	17346	51/1	21011-TLS	216/1
16449	171/3	17169	50/1	17521	50/1	21012-TLS	216/1
16450	171/4	17170	50/1	17522	50/1	21013-TLS	216/1
16602	46/3	17175	51/1	17523	50/1	21014-TLS	216/1
16603	45/3	17176	51/1	17524	50/1	21015-TLS	216/1 +
16604	46/3	17177	51/1	17525	50/1	21016-TLS	216/1
16605	45/3	17178	51/1	17526	50/1	21017-TLS	216/1
16606	46/3	17179	51/1	17527	50/1	21018-TLS	216/1
16620	47/1	17180	51/1	17528	50/1	21021-TLS	216/1
16621	47/1	17181	51/1	17529	50/1	21022-TLS	216/1
16622	47/1	17182	51/1	17530	50/1	21024	78/3
16721	45/3	17186	50/1	17531	50/1	21025	78/3
16827	45/3	17187	50/1	17532	50/1	21033	186/2
16828	46/3	17188	50/1	17533	50/1	21037-TLS	216/1
16831	47/1	17189	50/1	17534	50/1	21059	173/2
16871	36/2	17192	51/1	17535	50/1	21060	79/3
16872	36/2	17193	51/1	17536	50/1	21063	173/2
16873	36/2	17194	51/1	17537	50/1	21071-TLS	216/1
16875	46/2	17195	51/1	17538	51/1	21105	79/1
16886	53/4	17233	48/1	17539	51/1	21154	79/3
16890	53/5	17234	48/1	17540	51/1	21155	80/1
16901	52/4	17238	49/1	17541	51/1	21156	80/1
16906	52/1	17275	48/1	17542	51/1	21163	79/3
16907	52/1	17276	48/1	17543	51/1	21167	78/3
16915	53/1	17277	48/1	17544	51/1	21208	186/1
16916	53/1	17278	49/1	17545	51/1	21209	186/1
16930	47/1	17279	49/1	17546	51/1	21210	186/2
16933	45/3	17280	48/1	17547	51/1	21220	186/1
16934	46/3	17281	48/1	17548	51/1	21221	186/1
16956	45/3	17282	48/1	17549	51/1	21237	79/1
17000	50/1	17283	48/1	17550	51/1	21238	79/1
17001	51/1	17284	48/1	17551	51/1	21239	79/1
17002	51/1	17285	48/1	17552	51/1	21240	79/1
17003	51/1	17286	48/1	17553	51/1	21241	79/1
17004	51/1	17287	48/1	17554	51/1	21250	79/1
17007	50/1	17288	48/1	17555	50/1	21251	79/1
17008	50/1	17289	49/1	17556	50/1	21282	79/1
17009	50/1	17290	49/1	17557	50/1	21300	78/3
17010	50/1	17291	49/1	17558	50/1	21330	79/3
17011	51/1	17292	49/1	17559	51/1	21349	79/1
17012	51/1	17293	49/1	17560	51/1	21350	79/1
17013	51/1	17294	49/1	17561	51/1	21351	79/1
17014	51/1	17295	49/1	17562	51/1	21352	79/1
17019	50/1	17296	49/1	17566	54/1	21375	79/3
17020	50/1	17297	49/1	17569	54/2	21380	186/1
17021	51/1	17298	48/1	17573	54/3	21402	79/1
17022	51/1	17299	48/1	17576	54/4	21403	79/1
17026	182/4	17300	48/1	17579	54/5	21404	79/1
17027	48/1	17301	48/1	17583	55/1	21406	79/1
17028	48/1	17302	48/1	17586	55/2	21407	79/1
17029	49/1	17303	48/1	17590	55/3	21408	79/1
17030	49/1	17304	48/1	17593	55/4	21409	79/1
17031	49/1	17305	48/1	17596	55/5	21410	79/1
17032	48/1	17306	48/1	17604	55/6	21411	79/1
17033	48/1	17307	49/1	17608	54/1	21412	79/1
17034	49/1	17308	49/1	17612	54/1	21413	79/1
17035	49/1	17309	49/1	17615	54/2	21414	79/1
17036	49/1	17310	49/1	17618	54/2	21419	78/3
17037	48/1	17311	49/1	17622	54/3	21423	186/1
17038	49/1	17312	49/1	17626	54/3	21424	186/1
17039	50/1	17313	49/1	17629	54/4	21425	186/1

Order no.	Page/Pos.	Order no.	Page/Pos.	Order no.	Page/Pos.	Order no.	Page/Pos.
21426	186/1	24114	85/1	26013	164/4	27268	187/2
21427	186/1	24134	82/2	26015	89/2	27270	187/2
21428	186/2	24140	86/2	26020	96/6	27278	95/3
21429	186/2	24145	86/2	26023	89/1	27286	187/1
21430	186/2	24154	85/1	26026	89/1	27287	187/1
21431	186/2	24193	162/5	26028	89/1	27288	187/1
21432	186/2	24194	162/5	26029	89/1	27289	187/1
21433	186/2	24195	162/5	26030	89/1	27291	187/1
21453	79/1	24196	162/5	26033	90/1	27292	187/1
21461	173/2	24197	86/3	26036	89/1	27293	187/1
21484	79/1	24198	86/3	26050	87/1	27294	187/1
21486	79/1	24199	86/3	26051	87/1	27295	187/2
21487	79/1	24200	86/3	26052	87/2	27296	187/2
21515	173/2	24201	86/3	26053	87/2	27297	187/2
21526	78/3	24202	86/3	26054	88/1	27298	187/2
21531	78/3	24208	96/4	26055	88/1	27299	187/2
21533	79/1	24209	96/4	26056	88/2	27300	187/2
21545	79/1	24210	96/4	26057	88/2	27301	187/2
21555	80/1	24211	96/4	26065	89/1	27302	187/2
21557	162/4	24216	85/2	27006	92/2	27303	187/2
21558	79/1	24220	86/3	27007	92/2 + 95/4	27304	187/2
21564	79/1	24221	86/3	27008	92/2 + 95/4	27305	187/2
21607	80/1	24222	86/3	27009	92/2	28000	188/2
21623	78/2	24232	86/2	27010	92/2 + 95/4	28001	93/1
21624	78/3	24241	166/4	27011	92/2 + 95/4	28002	93/1
21645	79/3	24250	173/4	27012	95/4	28003	93/1
21663	78/3	24258	86/1	27015	92/2	28004	93/1
21667	163/5	24279	86/3	27016	92/2 + 95/4	28005	93/1
21669	163/5	24320	86/2	27017	92/2 + 95/4	28006	93/1
21686	78/2	24335	84/1	27024	95/5	28008	93/1
21687	78/2	24336	82/2	27027	181/5	28009	93/1
21688	78/2	24337	82/2	27043	187/1	28010	93/1
21689	78/2	24338	82/2	27045	187/2	28011	93/1
21690	78/2	24339	82/2	27046	187/1	28012	93/1
21691	78/2	24340	86/2	27102	187/2	28013	93/1
21692	78/2	24341	86/2	27104	187/1	28014	93/1
21693	78/2	24342	86/2	27105	187/1	28015	93/1
21706	171/1	24362	82/1	27106	187/1	28017	93/1
21711	163/5	24392	81/2	27107	187/1	28042	188/2
21712	163/5	24393	81/2	27108	187/1	28043	188/2
21754	79/1	24398	81/2	27109	187/2	28044	188/2
21785	166/2	24399	81/2	27110	187/2	28045	188/2
21837	78/2	24400	81/2	27117	164/6	28100	93/2
21838	78/2	24401	81/2	27118	164/6	28101	94/1
21839	78/2	24402	81/2	27119	164/6	28102	93/2
21840	78/2	24403	81/2	27120	164/6	28103	94/1
21841	78/2	24404	81/2	27121	91/1 + 95/1	28104	93/2
21842	78/2	24405	81/2	27122	91/1 + 95/1	28105	94/1
21843	78/2	24406	81/2	27124	91/1 + 95/1	28106	93/2
21844	78/2	24407	81/2	27201	187/1	28107	94/1
21847	78/2	24408	82/1	27204	187/1	28108	93/2
21848	78/2	24409	82/1	27207	91/1 + 95/1	28109	94/1
21849	78/2	24410	82/1	27209	91/1	28111	93/1
21850	78/2	24411	82/1	27210	91/1 + 95/1	28112	93/1
21851	80/1	24412	82/1	27211	91/1	28181	97/1
21868	170/4	24413	82/1	27212	95/1	28182	97/4
21869	170/5	24414	84/2	27215	91/1	28183	97/1
21872	78/2	24415	84/2	27216	91/1 + 95/1	28184	97/4
21873	78/2	24416	85/3	27217	95/1	28298	203/1
21876	170/5	24418	85/3	27218	91/1	28312	203/1
21879	78/2	24419	86/1	27219	91/1 + 95/1	28313	203/1
21882	170/4	24422	81/2	27220	91/1 + 95/1	28314	203/1
21885	78/2	24423	81/2 + 207/4	27221	91/1	28315	203/1
21907	166/1	24539	81/2	27222	91/1 + 95/1	28316	203/1
21966	166/2	24540	81/2	27223	91/1 + 95/1	29129	102/4 + 169/3
22052	96/1	24543	173/4	27224	95/1	29132	102/2
22053	96/1	24551	82/1	27227	92/1	29133	102/2
22054	96/1	24594	166/4	27228	92/1 + 95/3	29148	102/2
22055	96/1	24625	166/3	27229	92/1	29149	102/2
24012	84/1	24626	166/3	27230	95/3	29150	102/2
24013	85/2	24627	166/3	27233	92/1	29151	203/5
24017	84/1	24628	173/3	27234	92/1 + 95/3	29152	203/5
24018	84/1	24629	173/3	27235	92/1	29153	203/5
24019	84/1	24630	173/3	27236	92/1 + 95/3	29154	203/5
24020	85/1	24631	173/4	27237	92/1 + 95/3	29951	203/5
24021	85/1	24632	173/4	27238	92/1	31000-TLS	217/1
24022	85/1	26001	164/4	27239	92/1 + 95/3	31001-TLS	217/1
24023	85/2	26002	164/4	27240	92/1 + 95/3	31002-TLS	217/1
24024	85/2	26003	164/5	27241	95/3	31003-TLS	217/1
24025	85/2	26004	164/5	27244	92/1	31004-TLS	217/1
24035	86/2	26005	164/5	27245	92/1 + 95/3	31005-TLS	217/1
24062	86/2	26006	164/5	27246	92/1 + 95/3	31006-TLS	217/1
24078	85/2	26008	96/5	27247	91/1	31009-TLS	217/1
24079	85/1	26009	97/3	27248	91/1 + 95/1	31010-TLS	217/1
24089	85/2	26010	97/3	27249	91/1 + 95/1	31012-TLS	217/1
24101	85/1	26012	164/4	27267	187/2	31013-TLS	217/1

Order no.	Page/Pos.	Order no.	Page/Pos.	Order no.	Page/Pos.	Order no.	Page/Pos.
31014-TLS	217/1	31665	99/2	58040	227/4 + 227/5	89094	124/3
31015-TLS	217/1	31666	99/2	58058	72/6	89095	124/6
31016-TLS	217/1	31669	99/2	58110	191/3	89099	124/4
31017-TLS	217/1	31670	99/2	58111	191/3	89101	124/5
31018-TLS	217/1	31671	99/2	58370	226/4	89107	124/2
31021-TLS	217/1	31672	99/2	58372	226/4	89119	125/4
31022-TLS	217/1	31677	171/2	58387	191/3	89120	125/3
31023-TLS	217/1	31681	99/2	58388	191/3	89122	125/2
31027	189/2	31716	173/6	58400	102/1	89123	125/6
31031-TLS	217/1	31719	173/6	58401	102/1	89127	125/1
31032	189/1	31723	99/3	58402	102/1	89128	126/1
31045	173/6	31724	100/3	58502	191/4	89129	126/2
31082	100/3	31752	162/6	58503	191/4	89134	126/3
31085	99/3	31779	166/5	58511	191/4	89142	125/4
31086	99/3	31858	99/3	58517	191/5	89146	124/1
31150	189/1	31865	189/1	58590	191/3	89148	126/5
31151	189/1	31866	189/1	58602	191/4	89987	126/6
31152	189/2	31877	189/2	58607	191/4	110000	34/4
31162	189/1	31884	99/2	61101	227/5	110014	35/2
31183	100/3	31955	99/2	61128	227/5	110015	35/2
31207	100/2	31956	99/2	61133	227/1	110016	35/2
31210-TLS	217/1	31957	99/2	61134	227/1	110017	35/2
31240	100/2	31959	99/2	61402	227/3	110018	34/3
31241	100/2	31962	99/2	71001	109/4	110019	34/4
31242	100/2	31964	99/2	71028	109/3	110020	35/1
31243	100/2	31965	99/2	71031	190/2	110054	214/2
31244	100/2	31966	99/2	71071	110/2	110073	28/3
31245	100/2	31967	99/2	71094	108/2	110075	31/1
31246	100/2	31968	99/2	71095	108/2	110094	30/3
31247	100/2	31970	99/2	71097	108/2 + 204/2	110098	34/4
31251	100/3	31971	99/2	71099	108/2	110129	214/1
31257	99/3	31972	99/2	71100	108/2	110130	214/1
31266	173/6	31973	99/2	71101	108/2 + 204/2	110140	165/2
31298	100/2	31974	99/2	71104	204/3	110322	28/3
31299	100/2	31975	99/2	71105	108/3	110328	172/2
31301	100/2	31976	99/2	71106	108/3	110353	165/1
31302	100/2	31979	99/2	71107	108/3	110383	29/2
31303	100/2	31981	99/2	71108	108/3	110387	35/1
31304	100/2	31983	99/2	71109	108/3	110388	35/1
31305	100/2	31984	99/2	71110	108/3	110394	165/1
31306	100/2	41080	199/1	71118	109/1	110413	31/2
31307	100/2	41081	199/1	71119	109/1	110415	29/2
31308	100/2	41082	199/1	71120	109/1	110416	31/2
31309	100/2	41083	199/1	71121	109/2	110435	30/3
31310	100/2	41084	199/1	71122	109/2	110436	30/3
31311	100/2	41085	200/1	71123	109/2	110445	29/2
31312	100/2	41086	200/1	71142	110/1	110446	31/2
31313	100/2	41087	200/1	76100	112/3	110451	28/3
31314	100/2	41088	200/1	81000	113/6	110452	31/3
31318	189/1	41089	200/1	81001	113/6	110468	31/3
31319	189/1	43003	167/3	81002	113/6	110481	172/1
31320	189/1	44074	199/2	81003	113/6	110486	29/3
31321	189/1	44075	199/2	85000	131/1	110487	29/3
31322	189/1	44076	199/2	85002	131/4	110488	32/1
31323	189/1	44077	199/2	85005	132/6	110489	32/1
31324	189/2	44078	199/2	85006	131/2	110541	29/1
31325	189/2	44079	200/2	85007	131/3	110542	29/1
31326	189/2	44080	200/2	85008	132/1	110543	29/1
31327	189/2	44081	200/2	85009	132/3	110544	29/1
31328	189/2	44082	200/2	85016	132/4	110545	29/1
31329	189/2	44083	200/2	85034	132/5	110546	29/1
31409	100/2	54566	134/5	85036	132/2	110547	29/1
31417	101/1	54567	135/2	89000	120/6	110548	29/1
31457	100/2	54568	134/4	89002	120/3	110549	29/1
31491-TLS	217/1	54569	134/6	89003	120/1	110550	29/1
31500	99/3	54580	135/7	89004	120/4	110551	29/1
31501	100/2	54655	134/1	89006	120/2 + 208/6	110552	29/1
31504	100/3	54657	134/2	89010	121/6	110553	29/1
31505	100/3	54740	135/3	89013	122/2	110554	29/1
31512	163/6	54741	135/6	89015	122/1	110555	29/1
31513	163/6	54801	135/8	89016	121/1	110556	29/1
31514	163/6	54880	134/3	89017	122/3	110557	29/1
31515	163/6	54929	135/4	89022	122/6	110558	29/1
31533	99/2	58001	228/2	89028	122/4	110559	30/1
31534	99/2	58004	228/3	89037	121/4	110560	30/1
31536	99/2	58009	228/1	89038	122/5	110561	30/1
31605	100/3	58010	228/2	89040	120/3	110562	30/1
31606	99/3	58013	228/3	89044	121/5	110563	30/1
31611	101/1	58018	228/1	89048	122/5	110564	30/1
31627	166/6	58019	228/2	89058	120/5	110565	30/1
31641	166/6	58022	228/3	89070	123/6	110566	30/1
31642	99/3	58027	228/1	89075	123/3	110567	30/1
31659	99/2	58028	228/2	89076	123/5	110568	30/1
31661	99/2	58031	228/3	89084	123/1	110569	30/1
31662	99/2	58036	191/7 + 228/5	89085	123/2	110570	30/1
31664	99/2	58037-BE	191/6 + 228/4	89086	123/4	110571	30/1

Order no.	Page/Pos.	Order no.	Page/Pos.	Order no.	Page/Pos.	Order no.	Page/Pos.
110572	30/1	130232	172/4	210403	186/1	211102	202/5
110573	30/1	130269	202/1	210404	186/1	211103	202/4
110574	30/1	130270	202/1	210405	186/1	211104	202/4
110575	30/1	130271	202/1	210406	186/1	242001	81/2
110576	30/1	130272	202/1	210408	186/1	242002	81/2
110577	165/1	130273	202/1	210409	186/1	282001	93/1
110578	165/1	130274	202/1	210410	186/1	282002	93/1
110579	165/1	130275	202/2	210411	186/1	310044	166/5
110580	172/1	130276	202/2	210413	186/2	310058	189/2
110581	172/1	130277	165/3	210414	186/2	310059	189/2
110582	172/1	130278	165/3	210415	186/2	310060	189/2
110583	172/2	130279	165/4	210417	186/2	310068	166/5
112001	28/1	130280	172/3	210419	186/2	310123	162/6
112002	28/1	130281	172/3	210421	186/2	310163	189/1
120025	185/1	130282	172/3	210422	186/2	310165	189/1
120026	185/1	130283	172/3	210423	186/2	310167	189/1
120027	185/1	132001	56/1	210550	162/4	310168	189/1
120029	185/1	132002	56/1	210575	79/2 + 216/2	310169	189/1
120030	185/1	160048	46/1	210576	79/2 + 216/2	310171	189/1
120031	185/1	160049	46/1	210577	79/2 + 216/2	310172	189/1
120032	185/1	160052	46/1	210581	79/2 + 216/2	310174	189/2
120034	185/2	160053	46/1	210582	79/2 + 216/2	310175	189/2
120035	185/2	160055	46/1	210583	79/2 + 216/2	310176	189/2
120036	185/2	160056	46/1	210584	216/2	310177	189/2
120037	185/2	160057	46/1	210587	79/2 + 216/2	310179	189/2
120039	185/2	160058	46/1	210588	79/2 + 216/2	310180	189/2
120041	185/2	160087	164/3	210589	79/2 + 216/2	310182	189/2
120042	185/2	160177	46/2	210593	79/2 + 216/2	310183	189/2
120043	185/2	160178	46/2	210594	79/2 + 216/2	310194	189/1
120150	165/5	160179	46/2	210595	79/2 + 216/2	310311	162/6
120157	165/5	160180	52/2	210599	79/2 + 216/2	310318	174/6
120158	71/3	160181	52/3	210600	79/2 + 216/2	310331	100/1 + 217/2
120159	71/3	160182	53/2	210601	79/2 + 216/2	310333	100/1 + 217/2
120161	71/3	160184	53/3	210605	79/2 + 216/2	310334	100/1 + 217/2
120162	71/3	160290	46/3	210606	79/2 + 216/2	310338	100/1 + 217/2
120256	165/5	160438	164/2	210607	79/2 + 216/2	310339	100/1 + 217/2
120274	66/2	160467	174/1	210628	173/1	310340	100/1 + 217/2
120275	172/5	160468	174/1	210636	162/4	310344	100/1 + 217/2
120277	172/5	160469	174/1	210668	166/1	310345	100/1 + 217/2
120280	165/6	160470	174/1	210711	202/6	310346	100/1 + 217/2
120282	165/5	160471	174/2	210735	202/5	310350	100/1 + 217/2
120306	61/3	160472	174/2	210747	202/4	310351	100/1 + 217/2
120307	67/2	160473	174/2	210761	78/3	310352	100/1 + 217/2
120320	66/2	160474	174/2	210762	79/3	310356	100/1 + 217/2
120321	61/3	160513	195/1	210763	78/3	310357	100/1 + 217/2
120322	67/2	160514	195/1	210764	79/3	310358	100/1 + 217/2
120336	172/5	160515	195/1	210765	78/3	310362	100/1 + 217/2
120342	66/2	160516	195/1	210766	79/3	310363	100/1 + 217/2
120368	172/5	160517	195/1	210778	173/1	310364	100/1 + 217/2
120387	67/2	160518	195/2	210779	173/1	310381	162/6
120431	61/3	160519	195/2	210788	202/4	310415	100/2
120436	202/3	160520	195/3	210791	202/4	310417	100/2
120437	202/3	160521	195/3	210792	202/5	310426	182/1
120438	202/3	160522	196/1	210824	181/4	310441	173/5
120439	202/3	160523	196/1	210916	202/4	310466	203/4
120440	202/3	160524	196/1	210950	80/2	310488	203/3
120441	202/3	160525	196/1	210951	80/2	310489	203/2
120442	165/5	160526	196/1	210962	173/1	310490	99/3
120583	68/1	160527	196/2	210964	80/1	310491	100/3
120584	68/1	160528	196/2	211018	174/5	310492	99/3
120585	68/1	160529	196/3	211019	174/5	310493	100/3
120586	68/1	160530	196/3	211020	174/5	310494	99/3
120587	68/1	210030	78/3	211021	174/5	310495	100/3
120588	68/1	210067	162/4	211022	174/5	310507	173/5
120589	68/1	210077	186/1	211023	174/5	310508	173/5
120590	68/1	210078	186/1	211024	174/5	310512	203/2
120591	68/1	210169	78/2	211025	174/5	310513	203/2
120592	68/1	210170	78/2	211026	174/5	310515	203/2
121317	68/2	210171	78/2	211027	197/1	310517	203/2
122001	59/2	210176	78/2	211080	197/1	310518	203/3
130040	165/3	210178	78/2	211081	197/1	310519	166/5
130055	172/4	210179	78/2	211082	197/1	310554	100/2
130077	165/3	210184	78/2	211083	197/1	310564	166/5
130111	70/1	210185	78/2	211084	197/2	310567	182/2
130114	58/2	210186	78/2	211085	197/2	310607	203/2
130119	63/2	210193	78/2	211086	197/2	310628	173/5
130130	58/2	210197	78/2	211087	197/2	310634	101/2
130131	63/2	210222	79/1	211088	198/1	310635	101/2
130153	58/2	210234	79/1	211089	198/1	310697	174/6
130154	63/2	210238	166/1	211090	198/1	310698	174/6
130157	57/2	210256	186/2	211091	198/1	310699	174/6
130158	62/3	210263	186/2	211092	198/1	310700	174/6
130214	174/3	210264	186/2	211093	198/2	310701	174/6
130215	174/3	210265	186/2	211094	198/2	310702	174/6
130216	174/3	210358	166/1	211095	198/2	310703	174/6
130217	174/3	210402	166/1	211096	198/2	310704	174/6

INDEX

Order no.	Page/Pos.	Order no.	Page/Pos.	Order no.	Page/Pos.	Order no.	Page/Pos.
310749	203/3	890935	130/1				
540055	135/5	890936	130/2				
560384	222/3	890937	130/3				
560508	222/2	890938	130/4				
560509	224/1	890939	130/5				
560965	224/2	890940	130/6				
560967	222/1	893058	218/4				
561090	220/1	893059	218/3				
561449	223/3	2148509	181/3				
561844	224/3	51010578	47/2				
561872	225/1						
562306	223/4						
562366	221/3						
562372	220/2						
562373	222/4						
562374	223/1						
562376	225/4						
562377	223/2						
562378	225/2						
562379	224/4						
562380	225/3						
562389	220/3						
562390	220/4						
562391	221/1						
562392	221/2						
562393	221/4						
572185	133/5						
572551	133/4						
572567	133/1						
573209	219/6						
573210	219/4						
573358	219/1						
573396	219/2						
573512	219/5						
573518	219/3						
573671	133/3						
574339	133/2						
574420	133/6						
580020	191/4						
580137	191/5						
580138	191/3						
580141	191/5						
580143	191/5						
580144	191/5						
580145	191/5						
580508	226/2						
580511	226/3						
580521	226/3						
580529	226/3						
580589	226/1						
580634	72/5						
580640	136/3						
580641	136/6						
580642	102/5 + 136/4						
580643	136/5						
580647	136/1						
580648	136/1						
580649	136/1						
580650	136/1						
580651	136/1						
580652	136/1						
580653	136/1						
580656	136/2						
580657	136/2						
580658	136/2						
580659	136/2						
580727	136/3						
890011	122/6						
890083	126/4						
890400	121/2						
890919	127/1						
890920	127/2						
890921	127/3						
890922	127/4						
890923	128/1						
890924	128/2						
890925	128/3						
890926	128/4						
890927	128/5						
890928	128/6						
890929	129/1						
890930	129/2						
890931	129/3						
890932	129/4						
890933	129/5						
890934	129/6						

GENERAL TERMS AND CONDITIONS OF BUSINESS, SALE AND DELIVERY

Bals Elektrotechnik GmbH & Co. KG

1. Scope of applicability, master agreement, contract conclusion

- 1.1 The following Terms and Conditions shall apply exclusively for our deliveries and services to entrepreneurs (§ 14 of the German Civil Code (BGB)). Any purchasing terms and conditions to the contrary are not legally enforceable, even if we do not explicitly reject them. By placing an order and/or accepting the delivery thereof, the buyer acknowledges acceptance of our terms and conditions.
- 1.2 An order becomes binding for us once we have issued a written confirmation or upon having begun to fulfil the order. All agreements concluded between us and the ordering party for the purpose of performance of this contract are recorded in writing in this contract.
- 1.3 The following terms and conditions apply to existing business relationships as well as to future business dealings which do not specifically make reference to them.

2. Offers, cost estimates, prices and the reserved right to make price changes

- 2.1 Our offers, as well as the prices and delivery options stated in our catalogues, printed materials, letters, etc. are subject to change without notice; cost estimates are non-binding.
- 2.2 All orders shall only be accepted on the basis of prices valid at the time of order placement. Our prices are understood to be in euro, ex works, exclusive of the respective VAT, and excluding freight, customs duty, additional import fees, packaging and insurance, which may possibly have to be charged separately.
- 2.3 With respect to all orders – including call-off orders and multiple delivery contracts – for which the delivery, as provided for in the contract or at the request of the ordering party, takes place later than four months after order placement, we are authorised within the scope of the order and as compensation to pass along to the ordering party any material and labour price increases occurring between contract conclusion and actual delivery.
- 2.4 For new orders (including follow-up orders), we are not obligated to any previous prices.

3. Commercial and intellectual property rights

- 3.1 The sales documents made available by the selling party – such as drafts, drawings, advertising and video material – shall still remain property of the selling party even if proportional costs have been remunerated for this purpose by the buyer.
- 3.2 The selling party unrestrictedly reserves all of his commercial rights, intellectual property rights and exploitation rights to cost estimates, drawings and other documents (hereinafter referred to as: Documents). The documents may only be made accessible to third parties upon the prior consent of the selling party, and must be – in the event that the order is not issued to the selling party – promptly returned to the selling party at his request. Clauses 1 and 2 apply correspondingly to documents of the buyer; these may however be made accessible to those third parties whom the selling party has permissibly commissioned to carry out deliveries.

4. Shipping, costs, transfer of risk

- 4.1 We deliver ex works (EXW Incoterms 2010). Even in the case of deliveries made free of charge, the buyer shall bear the risk of shipping. Transport insurance will be arranged by us only upon the express request of the buyer in accordance with an agreement to be concluded in an individual case at the buyer's expense.
- 4.2 If shipment is delayed due to circumstances for which we bear no responsibility, then the transfer of risk shall take

place on the day that the buyer has been notified of the readiness for shipment.

5. Packaging

- 5.1 Insofar as nothing to the contrary has been agreed, we shall select the type of packaging.
- 5.2 If the goods have been billed according to weight, then the usage of packaging and wrapping material shall be calculated at a price according to the gross weight.
- 5.3 Special, not commercially customary packaging material shall be charged extra.
- 5.4 Upon the written request of the buyer, the goods shall be insured at his own expense against risks to be determined by him.

6. Delivery deadlines and liability provisions, acceptance obligation in case of blanket orders and call-off orders, return deliveries

- 6.1 The delivery period shall begin as soon as all delivery details have been clarified, both parties agree on all of the terms and conditions of the transaction and the ordering party has effected payment of an agreed instalment, if applicable. The delivery deadline has been complied with if, until it expires, either the delivery item has departed the plant or the ordering party has been notified as to its readiness for shipment.
- 6.2 The adherence to our delivery obligation within the agreed delivery deadline further presupposes the prompt, correct and complete fulfilment of all obligations on the part of the buyer. The right to objection of the non-fulfilment of contract remains reserved.
- 6.3 If our delivery does not take place in adherence to the deadline and also not within an extended deadline – which must consist of at least 20 workdays – set by the ordering party, due to reasons for which we bear responsibility, then the ordering party is entitled to void the ordered delivery.
- 6.4 In the event of subsequent order amendment, we are no longer bound to the originally as-sured and confirmed delivery deadline.
- 6.5 Subsequent order amendments, quantity changes and cancellations can only be accepted if they do not entail any costs for us; otherwise, we shall be compelled to charge the buyer for the costs.
- 6.6 In case of contracts with continuous delivery, the arrangement according to class and type must be communicated to us in due time. If call-offs of partial quantities are not communicated in due time, we shall be authorised to – after first having set an indisputable extended deadline – designate and deliver partial quantities ourselves, or alternatively to withdraw from the non-fulfilled portion of the contract as per the further prerequisites of Paragraph 6.8 and to require indemnification as restitution for the ensuing loss that we suffer. The right to enforcement of further damage claims as might possibly arise remains undiminished.
- 6.7 The regulation in Paragraph 11 shall apply for compensation claims due to delayed fulfilment or non-fulfilment in lieu of performance.
- 6.8 If force majeure or circumstances for which we cannot be held accountable (e.g. operational disruptions, strikes) hinder us in the punctual fulfilment of the order, we are then entitled in order to fulfil assumed obligations to reasonably postpone delivery or, if the hindrances consequently make contract performance impossible, to withdraw from the contract in whole or in part. The same holds true if we have not received delivery of material at all, or with delay, from our suppliers which we have ordered from them and which is required for fulfilment of the order, due to reasons for which we cannot be held accountable. The prerequisite for a withdrawal is that we promptly inform the ordering party about the unavailability and, as the case may be, immediately refund

any consideration provided by the ordering party. Claims for indemnification of any kind are hereby excluded.

- 6.9. Partial deliveries are permissible.

7. Quality guidelines for production and delivery

- 7.1 Tolerances:
As a rule, we apply quality assurance methods to our production, which as a minimum comply with ISO 9001 requirements. Production is carried out based on the respectively applicable test-ing and assessment guidelines, as well as the tolerances for weight, dimensional and quantity variations specified therein.
- 7.2 Production processes
The selling party thereby reserves the right to change the production processes insofar as the buying party has not required any restrictions or information obligation with regard to them.

8. Retention of title

- 8.1 We shall retain title to the delivery item (goods subject to retention of title) until all of our accounts receivable due from the ordering party from the business relationship, including any accounts receivable which might arise in the future – comprising those contracts concluded at the same time or at a later date, have been settled. In case of running accounts, the retained title and all rights apply as collateral for our entire current account balance claims, together with interest and costs. In the event of seizures or other intervention by third parties, the ordering party must immediately inform us.
- 8.2 The ordering party is authorised to process and resell the delivery item in the ordinary course of business. This authorisation shall end if the ordering party is in payment default, or additionally in case of the cessation of payments by the ordering party, or if the opening of insolvency proceedings has been filed against the assets of the ordering party (default / enforcement event). The ordering party is obliged to resell the item delivered under reservation of title only under the condition of title retention and to ensure that the accounts receivable derived from the resale are transferred to us as per 8.5. Also regarded as resale is if the goods subject to retention of title are used to fulfil works contracts and works-supply contracts. The ordering party is not entitled to any other dispositions regarding the goods subject to retention of title, particularly the pledging of goods or transfer of security. An assignment of accounts receivable from the transfer of our goods subject to retention of title is not permitted, unless it is a matter of an assignment within the course of true factoring, which must be shown to us and for which the value of the factoring proceeds exceeds the amount of our secured receivables. Our accounts receivable are due immediately once the factoring proceeds have been credited.
- 8.3 Pursuant to Art. 950 of the BGB, the ordering party does not acquire ownership of a new item through the treating and processing of the goods subject to retention of title. The processing or transformation is undertaken for us without obligating us. The treated and processed goods are regarded as goods subject to retention of title.
- 8.4 In the case of processing, combining and mixing of the goods subject to retention of title with other goods, our claim entitlement to co-ownership of the new good amounts to the proportional invoice value of the goods subject to retention of title in comparison with the invoice value the other goods used. If our property rights are rendered null and void through combining, mixing or processing, consequently the ordering party shall immediately transfer to us the property rights and expectancy rights pertaining to the new form of the item to

which he is entitled proportionate to the invoice value of the goods subject to retention of title and, in the case of processing, proportionate to the invoice value of the goods subject to retention of title vis-à-vis the invoice value of the other goods used, and maintain custody of it for us free of charge. Our co-ownership rights are regarded as goods subject to retention of title.

- 8.5 The accounts receivable of the ordering party derived from the reselling of the goods subject to retention of title are to be assigned to us now by way of security. These serve as collateral in the same scope as the goods subject to retention of title. If the goods subject to retention of title are resold by the ordering party together with other goods, then the accounts receivable derived from the resale shall be assigned to us proportionate to the invoice value of the goods subject to retention of title vis-à-vis the invoice value of the other goods. In the event of a resale of the goods for which we hold co-ownership shares as per 8.4, a share of the accounts receivable shall be assigned to us corresponding to our co-ownership share. Other accounts receivable which take the place of the goods subject to retention of title or which otherwise arise with respect to the goods subject to retention of title - such as insurance claims and claims from a breach of duty or an unlawful act - shall also be assigned. The ordering party is irrevocably entitled to collect the accounts receivable assigned to us in his own name. We may revoke the direct debit mandate in the case of a default / enforcement event.
- 8.6 The ordering party authorises us to inform the customer of the assignment and to collect the accounts receivable as soon as the default / enforcement event occurs. We can require a review of the status of the assigned accounts receivable by our agents based on the book-keeping of the ordering party. The ordering party must provide us with a list of the residual goods subject to retention of title and all information necessary for asserting the assigned accounts receivable, including a list of his accounts receivable from the resale of the goods subject to retention of title with the name and address of the customer.
- 8.7 If the value of the existing collateral exceeds the total secured receivables by more than 10%, then at the request of the ordering party we are obligated to release collateral to that extent, at our discretion and in observance of the interests of the ordering party. The collateral value is regarded as the invoice value for simple and subsequent retention of title at which the ordering party procures the goods from us, and for extended retention of title the invoice value at which the ordering party resells our goods, each with a valuation discount of one third of the subscription price or the nominal value of the assigned accounts receivable.
- 8.8 In the event of cheques or other means of payment, payment is only then regarded as having been made after secured posting of the sum by the ordering party. We shall only accept cheques on account of performance. Payments that have been made against the transfer of a cheque or another means of payment are only then considered as having been remitted once a reversal to us is precluded. Notwithstanding our extended collateral rights, the collateral ceded to us up to this point in time continues to exist.
- 8.9 Based on the retention of title, we can require the possession of the delivery item if we have withdrawn from the contract. We are authorised to withdraw without taking into account any of the further prerequisites of Art. 323 of the BGB, in particular without having to set a deadline, from that point in time at which the ordering party has defaulted on payment in whole or in part. The same holds true if the ordering party has ceased payment or if the opening of insolvency proceedings has been filed against the assets of the ordering party. All costs arising from the repossession of the delivery item shall be borne by the ordering party. We are authorised to freely dispose of the reclaimed delivery item.

9. Notification of defects, claims for defects, liability provision

- 9.1 Notwithstanding the continued duty of inspection, notification, and rejection due in a mutual commercial transaction, the ordering party is obligated to inspect the delivered goods for apparent flaws and report to us in writing any complaints with respect to such apparent flaws - this also applies to incomplete or incorrect deliveries - within one week after having received the goods; and, furthermore, with respect to flaws which only later become apparent, within one week after they have been detected by the ordering party. Otherwise, the goods shall be re-garded as having been accepted, also with regard to apparent flaws, and the ordering party can thus not derive any rights therefrom with respect to us. This does not apply to a direct sale to a private consumer. In the event of legitimate notification of defects, we are obligated to rectification of the flaw of the delivered goods free of charge or, at our discretion, replacement delivery. If the rectification or replacement delivery fail despite two attempts, or if we unjustifiably refuse these or cause un-conscionable delay, then the ordering party is entitled to abatement of the remuneration or, if construction work is not object of the liability for defects, to require rescission of the contract at his discretion.
- 9.2 Subject to the regulation in Paragraph 11, the following applies for compensation claims:
- 9.3 Claims for defects are unwarranted if the flaw is traceable back to a violation of the operating, maintenance or installation specifications, unsuitable or improper use, incorrect or negligent handling by the ordering party and natural wear and tear, as well as due to intervention undertaken in the delivery item by the ordering party or third parties.

10. Terms and conditions of payment and consequences in case of non-compliance, offsetting

- 10.1 Insofar as nothing to the contrary has been agreed, our accounts receivable are to be paid free of postage and other charges within 30 days after having received our invoice or an equivalent statement of accounts receivable, at the latest however 30 days after the due date and receipt of the consideration provided. For payments remitted thereafter we shall charge interest at an annual rate of 8%.
- 10.2 In case of drafts and cheques, payment is only then regarded as having been remitted after the sum has been posted. Discounts and charges shall be borne by the ordering party.
- 10.3 We shall only accept drafts and cheques on account of performance, and drafts only upon special agreement. Independent of the term period of accepted drafts or a granted forbearance, our accounts receivable are due immediately if the ordering party does not adhere to the terms and conditions of payment or circumstances that could cast doubt on his creditworthiness become known. Furthermore, in a case such as this we are authorised to only carry out deliveries against payment in advance or the provision of collateral, or to withdraw from the contract after a reasonable extended deadline, and/or to require indemnification.
- 10.4 Only counterclaims that are undisputed or have been legally determined to be valid can be off-set by the ordering party vis-à-vis our accounts receivable. A right of retention is excluded unless the counterclaim is undisputed, has been stated as legally binding or is ready for decision.

11. Liability for compensation (limitations and exclusions)

- 11.1 If essential contractual obligations - major obligations whose fulfilment allows the proper execution of the contract and on whose fulfilment the ordering party may rely - are breached, we shall also be liable in the event of simple negligence; however, any claims are limited to compensation for damages which were foreseeable and

typical of the contract at the time of the contract conclusion.

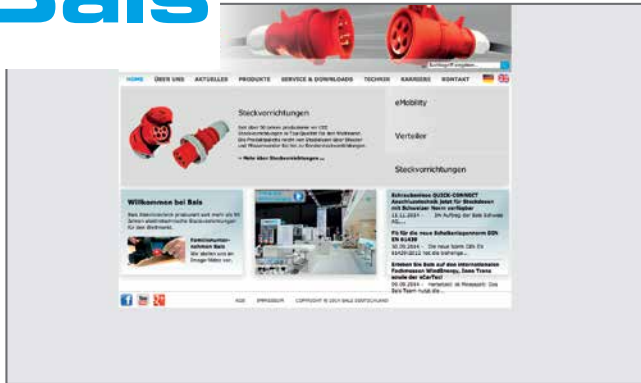
- 11.2 Otherwise - unless the breach of an essential contractual obligation is concerned and subject to the following Paragraph 11.4 - our liability for compensation shall be limited to damages resulting from a grossly negligent breach of duty on the part of our legal representatives or agents, regardless of the legal grounds and including an unlawful act, insofar as this involves culpability. Indirect damages or damages resulting from defects to the delivery item are only eligible for compensation if such damages are typically expected from the intended use of the delivery item.
- 11.3 The aforementioned liability exclusions and limitations shall apply to the same extent in favour of our bodies, legal representatives, employees and other agents.
- 11.4 The aforementioned liability exclusions and limitations shall not apply for damages as a result of injury to life, limb or health based on a negligent breach of duty on our part or an intentional or negligent breach of duty on the part of our legal representatives or agents. Similarly, claims from a warranty or according to the Product Liability Act shall not be affected by this.

12. Place of performance, competent court of jurisdiction and applicable law

- 12.1 Place of performance is the location of our supplying factory.
- 12.2 The place of jurisdiction for contracts with merchants, legal entities under public law and separate funds under public law is the registered office of the Bals contracting company. We reserve the right, however, to take action against the ordering party before the competent courts for his registered office.
- 12.3 For all deliveries and services from German Bals companies, German law shall apply for transactions within the EU with the exception of the UN Convention on the International Sale of Goods; the UN Convention on the International Sale of Goods shall apply for international transactions with companies outside of the EU along with German law if the former does not contain any appropriate regulations. For Bals companies which are not based in Germany, the respective law in that country shall apply, with the UN Convention on the International Sale of Goods taking priority.

(Published in October 2015)

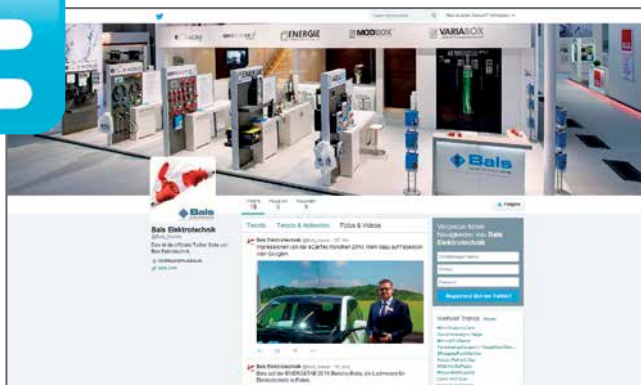
ALSO VISIT US ONLINE AT THE FOLLOWING WEBSITES



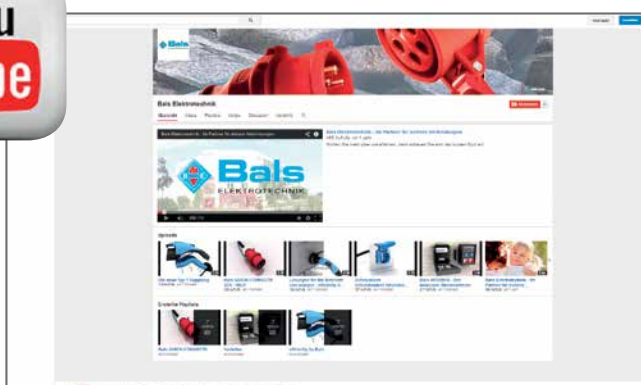
bals.com



facebook



twitter



youtube

