



FEATURES

- ▶ Minimum pressure not required
- ▶ Textyle diaphragm for heavy duty applications also with air
- ▶ Normally closed and normally open available as standard

TECHNICAL SPECIFICATION

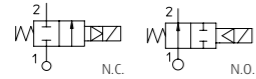
- ▶ **Body material:** Brass UNI EN 12165 CW617N
- ▶ **Armature tube:** Stainless Steel AISI 300 series
- ▶ **Plungers:** Stainless Steel AISI 400 series
- ▶ **Spring:** Stainless Steel AISI 300 series
- ▶ **Media:** air, gasoline, fuel oils, inert gases, water, mineral oils, diesel, steam
- ▶ **Ambient temperature:** See coils catalogue page for its compatibility
- ▶ **Fluid temperature:** -10°C +90°C with NBR+PA seals
-10°C +140°C with FKM+NBR,EPDM seals
- ▶ **Design pressure PS:** 16 bar
- ▶ **Protection class:** IP65 (complete with electric plug)
- ▶ **Electrical conformity:** IEC 335
- ▶ **Switching time:** 20 - 40 msec

AVAILABLE ON REQUEST

- ▶ Explosion proof coil Ex nA (see ATEX section)



(Pressure Equipment Directive 97/23/CE) for S.V. 21HF7+21HF8



21HT	6	K0	V	250	
Model valve	2= G 1/4 - 1/4 NPT	K0= N.C.	V= FKM	110 160 200 250 350 400	Orefice 10 ⁻¹ mm
	3= G 3/8 - 3/8 NPT	Z0= N.O.	Y= NBR+PA		
	5= G 3/4 - 3/4 NPT				
	6= G 1 - 1 NPT				
	7= G1 1/4 - 1 1/4 NPT				
	8= G 1/2 - 1/2 NPT				

B	D	A	08	024	A	S
B= 30mm Ø 13	D EN 175301-803	A= Class F	08= 8W	024= 24V	C= DC	S= Without Approval
U= 36mm Ø 13		V= Class H	12= 12W	110= 110V-120V	A= AC	Y= UL, CSA, VDE
G= 52mm Ø 13			14= 14W	230= 230V-240V	D= AC	

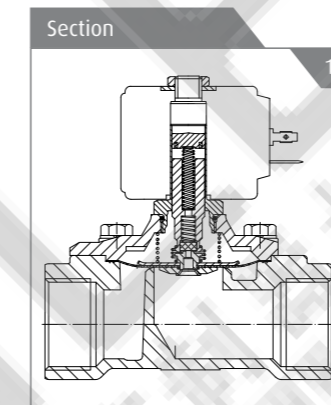
PIPE	Ø (mm)	Kv (l/min)	MAX VISCOSITY cSt (°E)	PRESSURE min	PRESSURE MAX MOPD (bar)						GAS CODE	NPT CODE	DRAWING REFERENCE
					COIL TYPE								
					AC			DC					
B	U	G	B	U	G								

Normally Closed (1) For DC only

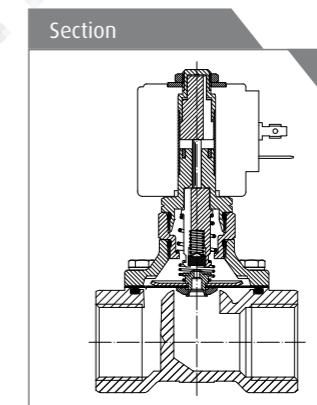
1/4	11	20	12(2)	0	14	14	14	5	14	14		21HN2K0Y110-HT	1	
3/8	11	20	12(2)	0	14	14	14	5	14	14		21HT3K0Y110	21HN3K0Y110-HT	1
3/8	11	6,5	12(2)	0	-	-	-	14	-	-		21HT3K0Y110-S (1)		1
1/2	16	40	12(2)	0	14	14	14	2,5	11	14		21HT4K0Y160	21HN4K0Y160-HT	1
1/2	16	40	12(2)	0	-	-	-	10	-	-		21HT4K0Y160-S (1)		1
3/4	16	40	12(2)	0	14	14	14	1,5	11	14		21HT5K0Y160	21HN5K0Y160-HT	1
3/4	20	120	12(2)	0	16	16	16	6	16	16		21HF5K0V200		3
3/4	16	30	12(2)	0	-	-	-	10	-	-		21HT5K0Y160-S (1)		1
1	25	120	12(2)	0	8	14	14	-	1,5	6		21HT6K0Y160	21HN6K0Y160-HT	1
1	25	90	12(2)	0	-	-	-	1	6	12		21HT6K0Y160-S (1)		1
1	25	140	12(2)	0	16	16	16	5	16	12		21HF6K0V250		3
1 1/4	35	270	12(2)	0	16	16	16	-	-	6		21HF7K0V350		3
1 1/2	40	280	12(2)	0	16	16	16	-	-	6		21HF8K0V400		3

Normally Open (*) To use in AC, DC coil will be supplied with a bridge rectifier

1/4	11	20	12(2)	0	10	-	-	10	-	-		21HN2Z0Y110-HT(*)	2	
3/8	11	20	12(2)	0	10	-	-	10	-	-		21HT3Z0Y110(*)	21HN3Z0Y110-HT(*)	2
1/2	16	40	12(2)	0	10	-	-	10	-	-		21HT4Z0Y160(*)	21HN4Z0Y160-HT(*)	2
3/4	16	40	12(2)	0	10	-	-	10	-	-		21HT5Z0Y160(*)	21HN5Z0Y160-HT(*)	2



REPAIR KIT
Normally Closed
21HN - 21HT
For 1/4+3/8 KTGH3K0Y11
For 1/2+3/4 KTGH4K0Y16
For 1 KTGH6K0Y25
21HF
For 1 KTGH5K0V20
For 1 1/4+1 1/2 KTGH7K0V35



REPAIR KIT
Normally Open
21HN - 21HT
For 1/4+3/8 KTGH3Z0Y11
For 1/2+3/4 KTGH4ZK0Y16

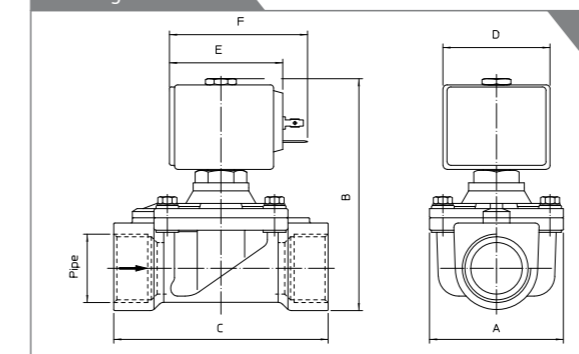
RELATED ITEMS

- ▶ P990305: Electrical plug EN 175301-803 Pg9
- ▶ P990306: Electrical plug EN 175301-803 Pg11
- ▶ P992126: Electrical plug EN 175301-803 Pg9 (with OR screw)
- ▶ P992127: Electrical plug EN 175301-803 Pg11 (with OR screw)
- ▶ P992128: Electrical plug EN 175301-803 cable 2 wires, 53cm
- ▶ R452714: Antihumidity kit (up to IP67 protection together with plugs P992126, P992127; P992128 & H coil class)
- ▶ P992087: Timer for automatic switch

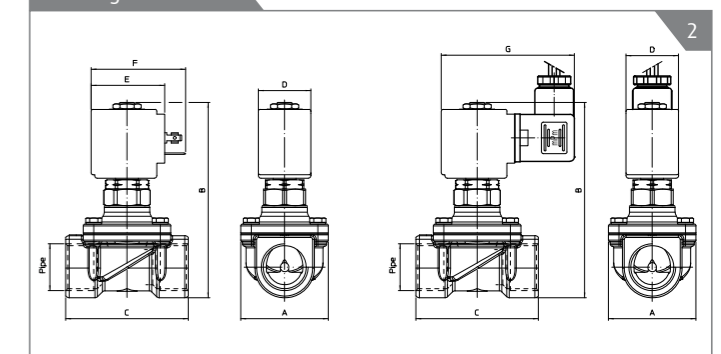
INSTALLATION

- ▶ The solenoid valves can be mounted in any position
- ▶ Other port connections available on request
- ▶ Maintenance and instruction sheet available in each solenoid valve box
- ▶ Availability of repair kit and coils as spares

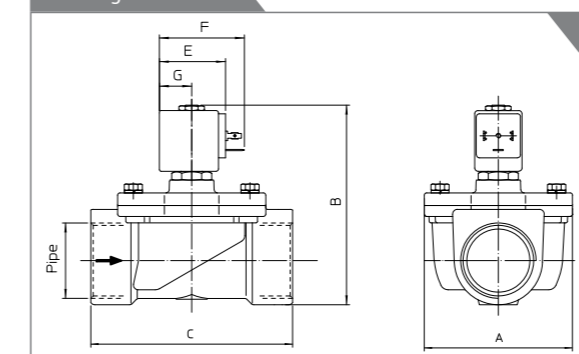
Drawing Reference



Drawing Reference



Drawing Reference



Dimensionale Table

Figure	Coil Type	D mm	E mm	F mm	G mm
1-2-3	B	30	42	54	20,5
	U	36	48	60	23,5
	G	52	55	67	25

