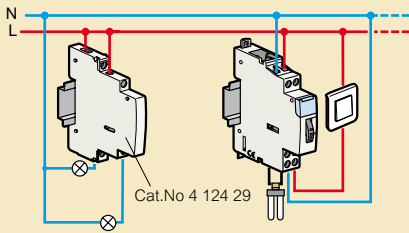


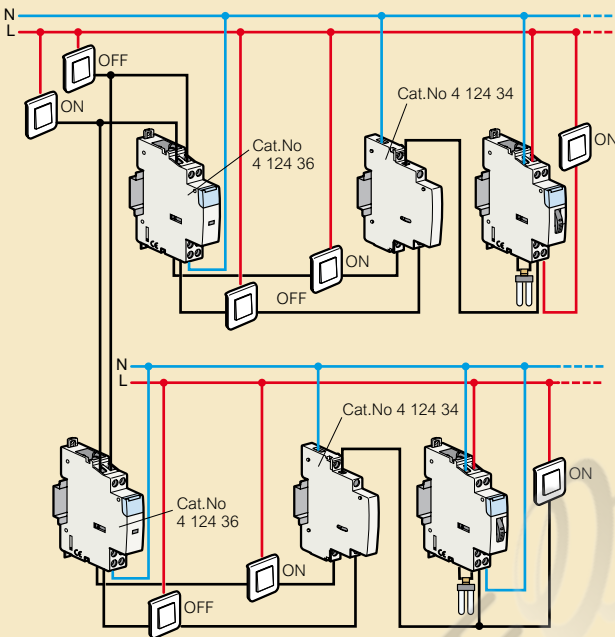
pulse operated latching relays

■ Schemas

Signalling with auxiliary Cat.No 4 124 29

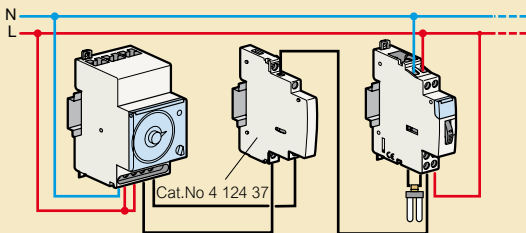


Centralized control at one point using auxiliary devices Cat.Nos 4 124 34 and 4 124 36



Use only non illuminated push-buttons

Control via maintained contact using auxiliary device Cat.No 4 124 37 and time switch



■ Technical characteristics

Power consumption

| Cat.Nos | 4 124 00 4 124 01 | 4 124 04 | 4 124 05 4 124 10 | 4 124 14 | 4 124 11 | 4 124 08 4 124 12 | 4 124 16 |
|-------------------|----------------------|----------|----------------------|----------|----------|----------------------|----------|
| Control voltage | 230 V~ | 12 V~ | 24 V~ | 24 V~ | 48 V~ | 230 V~ | 230 V~ |
| Nominal current | 16 A | 16 A | 16 A | 16 A | 16 A | 16 A | 16 A |
| Connection | 1 N/O | 1 N/O | 1 N/O 2 N/O | 4 N/O | 2 N/O | 1 N/O 2 N/O | 4 N/O |
| Number of modules | 1 | 1 | 1 | 1 | 1 | 1 | 2 |
| Holding | - | 670 mA | 280 mA | 570 mA | 170 mA | 30 mA | 50 mA |
| Inrush | - | 2500 mA | 1200 mA | 2500 mA | 700 mA | 130 mA | 250 mA |

Connection cross section mm²

| Type of conductors | Cross section |
|------------------------------|--|
| Rigid | 1 x 6 mm ² or 2 x 2,5 mm ² |
| Flexible | 1 x 6 mm ² or 2 x 2,5 mm ² |
| Flexible with single ferrule | 6 mm ² |
| Flexible with double ferrule | 2 x 4 mm ² |

Cross reference list old range/new range

| Old range Cat.No | New range Cat.No | Designation |
|---------------------|---------------------|---|
| 041 60 | 4 124 04 | 16 A - 12 V - 1 N/O |
| 041 61 | 4 124 05 | 16 A - 24 V - 1 N/O |
| 041 62 | 4 124 08 | 16 A - 230 V - 1 N/O |
| 041 65 | 4 124 10 | 16 A - 24 V - 2 N/O |
| 041 66 | 4 124 11 | 16 A - 48 V - 2 N/O |
| 041 68 | 4 124 12 | 16 A - 230 V - 2 N/O |
| 041 71 | 4 124 16 | 16 A - 230 V - 4 N/O |
| 041 85 | 4 124 29 | Auxiliary changeover switch |
| 041 86 | 4 124 33 | Auxiliary devices for centralized control 24 V~ - 48 V~ |
| 041 87 | 4 124 34 | Auxiliary devices for centralized control 230 V~ |
| 041 89 | 4 124 39 | Compensation module |
| 041 88 | 4 124 36 | Auxiliary device for general centralized control |
| 041 84 | 4 124 37 | Auxiliary device for maintained contact |