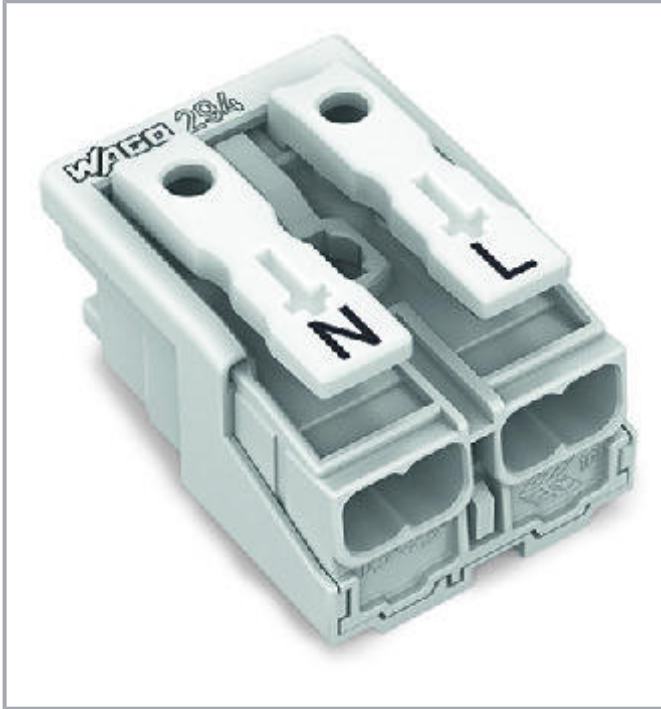
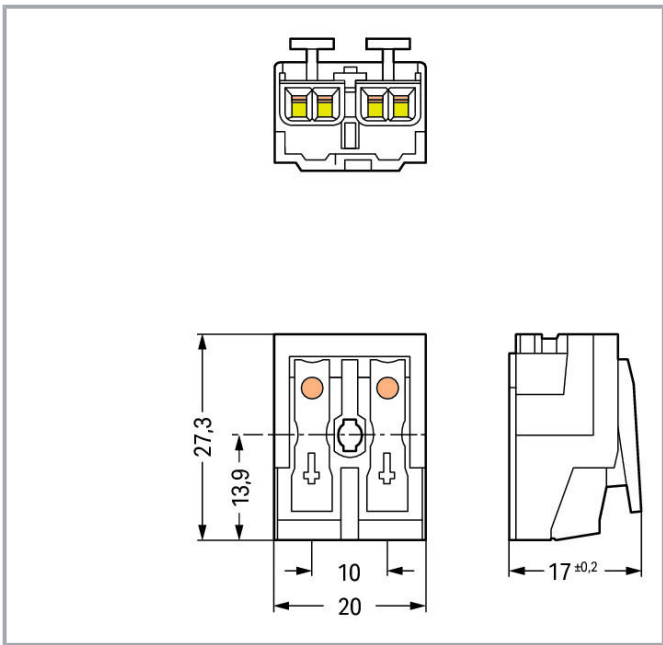
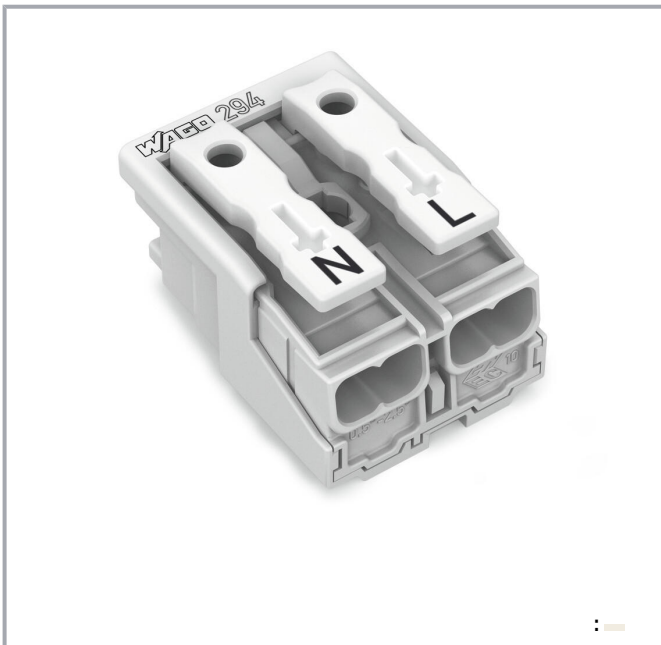


|: 294-4012

; ; ; 2 ; ; ; 2.5 mm²; 85 °C (T85); 2,50 mm²;

www.wago.com/294-4012



/

WAGO Contact, Ltd
5F., No.168, Jiankang Rd
Zhonghe City | Taipei County 23585, Taiwan
Tel.: +886 2 22259755 | Fax: +886 2 22251511
Email: info.taiwan@wago.com

+886 2 22250123



-
- (AWG)
-
-

IEC/EN

IEC/EN 60998-1	
(II / 2)	500 V
(II / 2)	4 kV
	24 A
2	IEC/EN 60998-2-2
2	
(II / 2) 2	500 V
(II / 2) 2	4 kV
(2)	24 A
(3)	16 A
0	(II / 2) ≙ II / 2
(1)	1
	Push-in CAGE CLAMP®
Number of connection points (connection type)	2
	0.5 ... 2.5 mm ² / 18 ... 12 AWG
	0.5 ... 2.5 mm ² / 18 ... 12 AWG
	0.5 ... 2.5 mm ² / 18 ... 14 AWG
	0.5 ... 2.5 mm ² / 18 ... 14 AWG
	0.5 ... 1.5 mm ² / 18 ... 16 AWG
	0.5 ... 1.5 mm ² / 18 ... 16 AWG

/

	0.5 mm ² / 18 AWG
	8 ... 9 mm / 0.31 ... 0.35
	2
(2)	2
2	PUSH WIRE [®]
(2)	1
(2)	0.5 ... 2.5 mm ² / 18 ... 14 AWG
(2)	0.5 ... 1 mm ² / 18 ... 16 AWG
() (2)	0.5 ... 1.5 mm ² / 18 ... 14 AWG
(2)	8 ... 9 mm / 0.31 ... 0.35
(3)	3
(3)	1
(3)	0.5 ... 1.5 mm ² / 18 ... 16 AWG
(3)	0.5 ... 0.75 mm ² / 18 AWG 0.5 ... 0.75 mm ² / 18 AWG
(3)	0.5 ... 1 mm ² / 18 AWG
(4)	4
(4)	1
(4)	0.5 ... 0.75 mm ² / 18 AWG
	10
	2
	4
	10 mm / 0.394 inch
	20 mm / 0.787 inch
	17 mm / 0.669 inch
	27.3 mm / 1.075 inch
	N-L
	IIIa
	(PC)

/

WAGO Contact, Ltd

5F., No.168, Jiankang Rd

Zhonghe City | Taipei County 23585, Taiwan

Tel.: +886 2 22259755 | Fax: +886 2 22251511

Email: info.taiwan@wago.com

+886 2 22250123

| : 294-4012


www.wago.com/294-4012



UL 94	V0
	(CrNi)
	(E _{Cu})
	0.121 MJ
	6.1 g
	120 °C
T-Kennzeichnung	T85
Product Group	8 (Misc. Chassis Mount Blocks)
	lamination
	CH
GTIN	4050821097655
	85369010000

/

Country specific Approvals

	ENEC 05 DEKRA Certification B.V.	EN 60998	2128791.01
--	-------------------------------------	----------	------------

tools

	: 206-294 ;	www.wago.com/206-294
---	----------------	--

Strain relief plate

	: 294-364 ; 294 ;; 3 - 5 ;;	www.wago.com/294-364
---	--------------------------------	--

	: 294-370 ; 294 ;;	www.wago.com/294-370
---	-----------------------	--

	: 294-375	www.wago.com/294-375
---	-----------	--

/

WAGO Contact, Ltd

5F., No.168, Jiankang Rd

Zhonghe City | Taipei County 23585, Taiwan

Tel.: +886 2 22259755 | Fax: +886 2 22251511

Email: info.taiwan@wago.com

+886 2 22250123

; 294 ;;

: 294-384
; 294 ; ; 3 - 5 ; ;

www.wago.com/294-384

Documentation

Bid Text

294-4012	2017613	doc
doc - Datei		27.6 kB

294-4012	2019219	xml
X81 - Datei		5.7 kB

Additional Information

Technical explanations	201943	pdf
		2.2 MB

CAD/CAE-Data

CAD data

2D/3D Models 294-4012	URL
-----------------------	-----

CAE data

WSCAD Universe 294-4012	URL
-------------------------	-----

ZUKEN Portal 294-4012	URL
-----------------------	-----

Environmental Product Compliance

Compliance Search

Environmental Product Compliance 294-4012 ; ; ; ; 2 ; ; ; 2.5 mm ² ; 85 °C (T85); 2,50 mm ² ;	URL
--	-----

/

WAGO Contact, Ltd

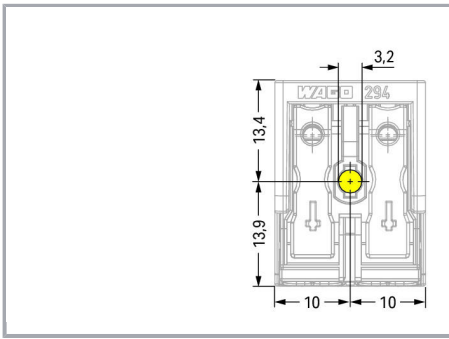
5F., No.168, Jiankang Rd

Zhonghe City | Taipei County 23585, Taiwan

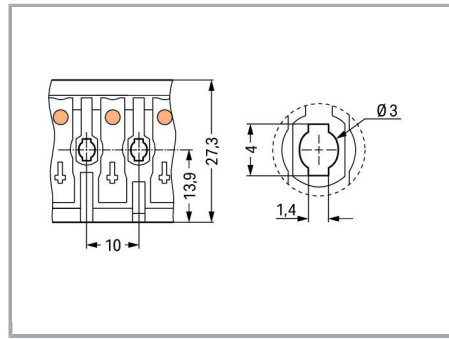
Tel.: +886 2 22259755 | Fax: +886 2 22251511

Email: info.taiwan@wago.com

+886 2 22250123

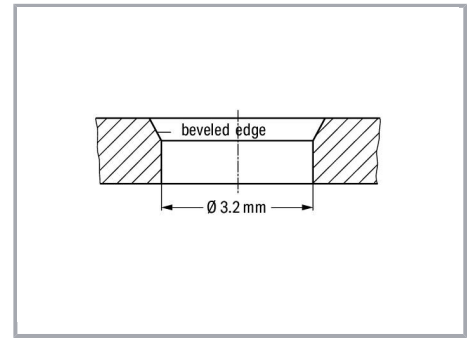


2-pole – without ground contact



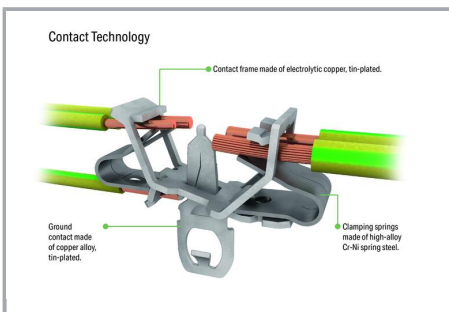
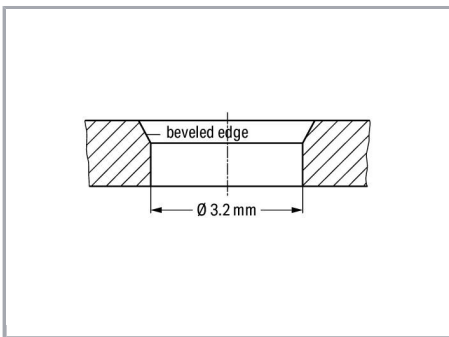
Mounting hole for screw

Notice: The maximum thread diameter for self-tapping screws is 3 mm.



Hole for screw mount

Notice: The maximum thread diameter for self-tapping screws is 3 mm.



EUROPE
1 x 0.5 ... 2.5 mm ² "s"
1 x 0.5 ... 1.5 mm ² "s"
1 x 0.5 ... 0.75 mm ² "s"
AMERICA
1 x AWG 18 ... 14 "s"
1 x AWG 18 ... 16 "s"
1 x AWG 18 "s"
JAPAN
1 x 0.8 ... 1.6 mm diam. "s"
1 x 0.8 ... 1 mm diam. "s"
1 x 0.8 mm diam. "s"

Internal connection:

PUSH WIRE® for internal wiring with solid conductors

/

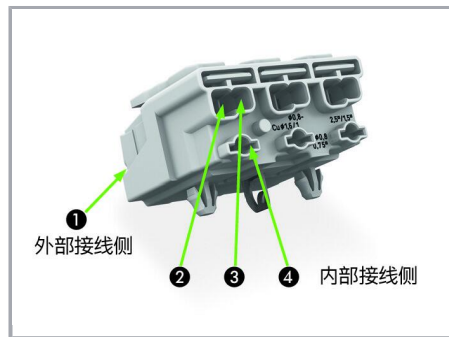
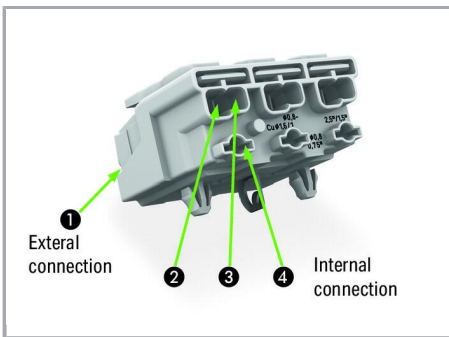
欧洲
1 x 0.5 ... 2.5 mm ² "s"
1 x 0.5 ... 1.5 mm ² "s"
1 x 0.5 ... 0.75 mm ² "s"
美洲
1 x AWG 18 ... 14 "s"
1 x AWG 18 ... 16 "s"
1 x AWG 18 "s"
日本
1 x 0.8 ... 1.6 mm diam. "s"
1 x 0.8 ... 1 mm diam. "s"
1 x 0.8 mm diam. "s"

EUROPE
2 x 0.5 ... 2.5 mm ² "s, str, f-str"
AMERICA
2 x AWG 18 ... 12 "s"
2 x AWG 18 ... 14 "s, f-str"
JAPAN
2 x 0.8 ... 2 mm diam. "s"
2 x 0.5 ... 2 mm ² "str, f-str"

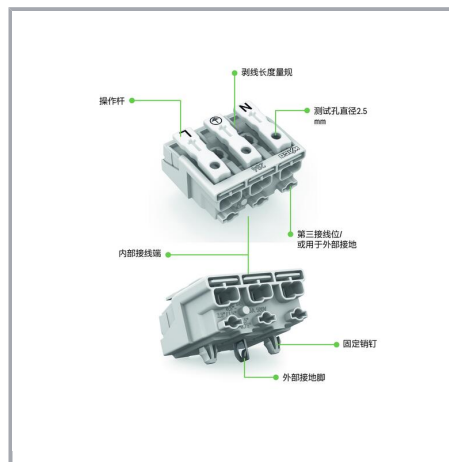
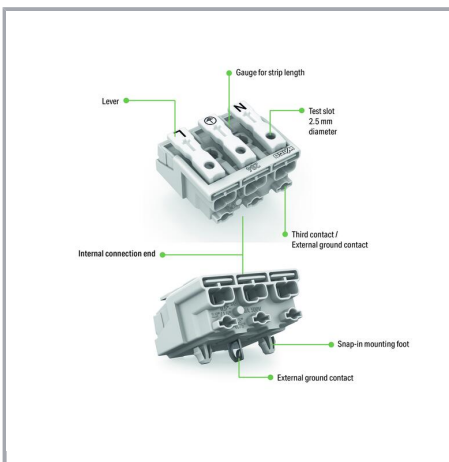
欧洲
2 x 0.5 ... 2.5 mm ² "s, str, f-str"
美洲
2 x AWG 18 ... 12 "s"
2 x AWG 18 ... 14 "s, f-str"
日本
2 x 0.8 ... 2 mm diam. "s"
2 x 0.5 ... 2 mm ² "str, f-str"

External connection:

Push-in CAGE CLAMP® for field-wiring with all conductor types



Terminating five conductors per pole – solid and fine-stranded.



/